



Single Meter Sockets, Without Bypass - CT Rated .....	67 - 68
Single Meter Sockets, CT Rated With Test Switch Bypass Provision .....	69 - 70
Meter Socket / Enclosure Combination Cabinets - CT Rated .....	71 - 72
CT Enclosures With Lift Off Covers .....	73 - 74
CT Enclosures With Hinged, Lift Off Doors .....	75 - 76
CT Mounting Bases .....	77
CT Mounting Bases - Test Configuration Sheet .....	78
CT Utility Enclosures .....	79 - 80

# Single Meter Sockets - Without Bypass

## CT Rated



051HS-13 (closed)



051HS-13 (open)

### Application

- Receive ANSI C12.10 watthour meters
- Overhead and underground feed (see chart)
- Surface mount

### Construction

- Ring type
- NEMA Type 3R
- ANSI 61 gray E-coat finish
- Aluminum snap ring included



### Standards

- UL 414 Listed
- ANSI C12.7

### Accessories

- AW Hub
- Screw Type Ring - 25016D

Part/UPC Number	Catalog Number	Amp Rating	Jaws	Service Type	Access	Connections		
						Line	Load	Neutral
78205168494	924	20	4	1Ø	OH/UG	#14 - #10	#14 - #10	#14 - #10
78205144010	925	20	5	1Ø	OH/UG	#14 - #10	#14 - #10	#14 - #10
78205144020	926	20	6	1Ø	OH/UG	#14 - #10	#14 - #10	#14 - #10
78205144040	928	20	8	1Ø or 3Ø	OH/UG	#14 - #10	#14 - #10	#14 - #10
78205144045	051HS-13	20	13	3Ø	OH/UG	#14 - #10	#14 - #10	#14 - #10
78205144050	051HS-15	20	15	3Ø	OH/UG	#14 - #10	#14 - #10	#14 - #10
78205102085	924 MS77	20	4	1Ø	OH/UG	#14 - #10	#14 - #10	#14 - #10

Part/UPC Number	Catalog Number	Overall Dimensions			Top Provision	Knockout Layout
		Height	Width	Depth		
78205168494	924	12"	8"	4 <sup>5</sup> / <sub>8</sub> "	AW Hub	Fig. 1
78205144010	925	12"	8"	4 <sup>5</sup> / <sub>8</sub> "	AW Hub	Fig. 1
78205144020	926	12"	8"	4 <sup>5</sup> / <sub>8</sub> "	AW Hub	Fig. 1
78205144040	928	12"	8"	4 <sup>5</sup> / <sub>8</sub> "	AW Hub	Fig. 1
78205144045	051HS-13	12"	8"	4 <sup>5</sup> / <sub>8</sub> "	AW Hub	Fig. 1
78205144050	051HS-15	12"	8"	4 <sup>5</sup> / <sub>8</sub> "	AW Hub	Fig. 1
78205102085	924 MS77	12"	8"	4 <sup>5</sup> / <sub>8</sub> "	AW Hub	Fig. 1

# Single Meter Sockets - Without Bypass

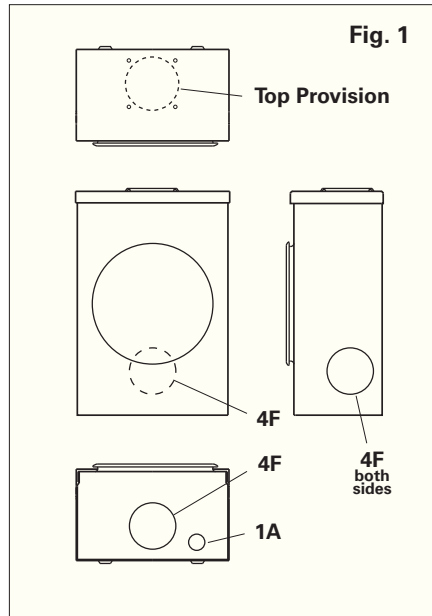
CT Rated

Style #	Suffixes
924	<b>MS77</b> - 1" Conduit Hub
925	<b>SS</b> - Stainless Steel
926	
928	
051HS	

## Knockouts - Conduit Sizes

1A = 1/2"  
4F = 2" - 1 1/2" - 1 1/4" - 1"  
Top Provision ≠ See Chart

## Knockout Layouts



Data subject to change without notice. Consult local utility for area acceptance. All dimensions are in inches.

# Single Meter Sockets

## CT Rated With Test Switch Bypass Provision



121413 (closed)



121413 (open)

### Application

- Test switch section under separate cover
- Test switch perch included
- Receive ANSI C12.10 watt-hour meters
- Overhead and underground feed (see chart)
- Surface mount

### Construction

- Ring type
- NEMA Type 3R
- ANSI 61 gray E-coat finish
- Aluminum snap ring included



### Standards

- UL 414 Listed
- ANSI C12.7
- EUSERC 339

### Accessories

- AW Hub
- Screw Type Ring - 25016D

Part/UPC Number	Catalog Number	Amp Rating	Jaws	Service Type	Access	Connections		
						Line	Load	Neutral
78205146000	12144	20	4	1Ø	OH/UG	#14 - #10	#14 - #10	#14 - #10
78205146010	12145	20	5	1Ø	OH/UG	#14 - #10	#14 - #10	#14 - #10
78205146020	12146	20	6	1Ø	OH/UG	#14 - #10	#14 - #10	#14 - #10
78205144640	12148	20	8	1Ø or 3Ø	OH/UG	#14 - #10	#14 - #10	#14 - #10
78205144650	121413	20	13	3Ø	OH/UG	#14 - #10	#14 - #10	#14 - #10
78205144065	121415	20	15	3Ø	OH/UG	#14 - #10	#14 - #10	#14 - #10
78205146070	1214208 *	20	8	1Ø or 3Ø	OH/UG	#14 - #10	#14 - #10	#14 - #10
78205146060	1214213 *	20	13	3Ø	OH/UG	#14 - #10	#14 - #10	#14 - #10
78205180265	1214215 *	20	13	3Ø	OH/UG	#14 - #10	#14 - #10	#14 - #10

Part/UPC Number	Catalog Number	Overall Dimensions			Top Provision	Knockout Layout
		Height	Width	Depth		
78205146000	12144	20"	12"	4 <sup>5</sup> / <sub>8</sub> "	AW Hub	Fig. 1
78205146010	12145	20"	12"	4 <sup>5</sup> / <sub>8</sub> "	AW Hub	Fig. 1
78205146020	12146	20"	12"	4 <sup>5</sup> / <sub>8</sub> "	AW Hub	Fig. 1
78205144640	12148	20"	12"	4 <sup>5</sup> / <sub>8</sub> "	AW Hub	Fig. 1
78205144650	121413	20"	12"	4 <sup>5</sup> / <sub>8</sub> "	AW Hub	Fig. 1
78205144065	121415	20"	12"	4 <sup>5</sup> / <sub>8</sub> "	AW Hub	Fig. 1
78205146070	1214208 *	20"	24 <sup>3</sup> / <sub>8</sub> "	4 <sup>5</sup> / <sub>8</sub> "	AW Hub	Fig. 2
78205146060	1214213 *	20"	24 <sup>3</sup> / <sub>8</sub> "	4 <sup>5</sup> / <sub>8</sub> "	AW Hub	Fig. 2
78205180265	1214215 *	20"	24 <sup>3</sup> / <sub>8</sub> "	4 <sup>5</sup> / <sub>8</sub> "	AW Hub	Fig. 2

\* Not EUSERC 339 compliant.

# Single Meter Sockets

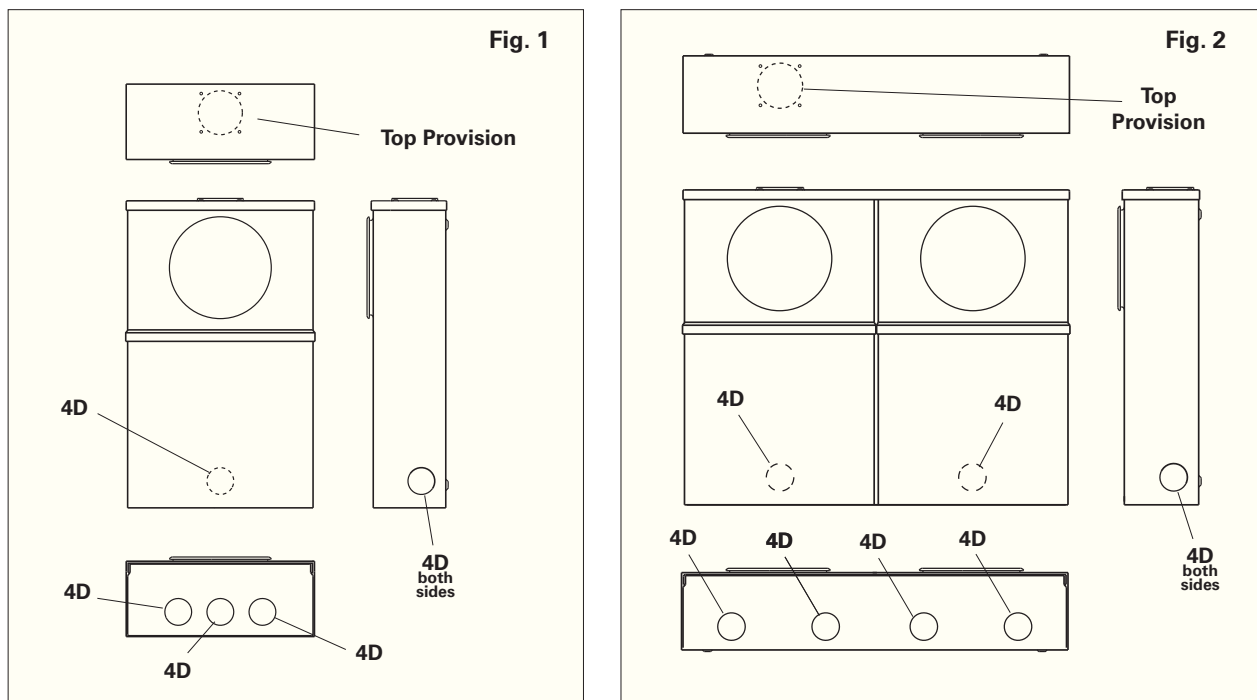
## CT Rated With Test Switch Bypass Provision

Style #	Suffixes
12144	F - Flush Mount
12145	MS20 - Ring Protector
12146	SS - Stainless Steel
12148	
121413	
121415	
1214208	
1214213	
1214215	

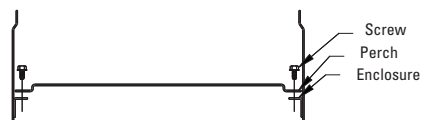
### Knockouts - Conduit Sizes

4D = 1 1/4" - 1" - 3/4" - 1/2"  
Top Provision = See Chart

### Knockout Layouts



### Test Switch Perch Instructions



Drawing 1



Drawing 1



Drawing 1

To offset test switch perch so that additional space is available for the use of a test switch cover, see instructions below.

1. Remove (4) screws that hold the perch to the enclosure (see Drawing 1)
2. Flip perch over as shown (see Drawing 2)
3. Now use the screws you removed in step one and screw the perch to the enclosure, torque screws to 35 in/lbs. (see Drawing 3)

Data subject to change without notice. Consult local utility for area acceptance. All dimensions are in inches.

# Meter Socket / Enclosure Combination Cabinets

## CT Rated



U122013 (closed)



U122013 (open)

### Application

- Removable test switch perch included
- Includes provisions to install model 6019/6067 CT mounts
- Receive ANSI C12.10 watt-hour meters
- Overhead and/or underground feed (see chart)
- Surface mount

### Construction

- Ring type
- NEMA Type 3R
- ANSI 61 gray E-coat finish
- Aluminum snap ring included



### Standards

- UL 414 Listed
- ANSI C12.7
- EUSERC 313
- EUSERC 314

Part/UPC Number	Catalog Number	Amp Rating	Jaws	Service Type	Access	Connections		
						Line	Load	Neutral
78205150030	121814	20	4	1Ø	OH/UG	#14 - #10	#14 - #10	#14 - #10
78205150040	121815	20	5	1Ø	OH/UG	#14 - #10	#14 - #10	#14 - #10
78205150020	121816	20	6	1Ø	OH/UG	#14 - #10	#14 - #10	#14 - #10
78205150050	121818	20	8	1Ø	OH/UG	#14 - #10	#14 - #10	#14 - #10
78205150080	122013	20	13	3Ø	OH/UG	#14 - #10	#14 - #10	#14 - #10
78205122735	122015	20	15	3Ø	OH/UG	#14 - #10	#14 - #10	#14 - #10
78205150090	122018	20	8	1Ø or 3Ø	OH/UG	#14 - #10	#14 - #10	#14 - #10
78205149000	U121814 *	20	4	1Ø	UG	#14 - #10	#14 - #10	#14 - #10
78205149010	U121815 *	20	5	1Ø	UG	#14 - #10	#14 - #10	#14 - #10
78205149020	U121816 *	20	6	1Ø	UG	#14 - #10	#14 - #10	#14 - #10
78205149030	U121818 *	20	8	1Ø or 3Ø	UG	#14 - #10	#14 - #10	#14 - #10
78205149040	U122013 *	20	13	3Ø	UG	#14 - #10	#14 - #10	#14 - #10
78205149045	U122015 *	20	15	3Ø	UG	#14 - #10	#14 - #10	#14 - #10
78205149050	U122018 *	20	8	1Ø or 3Ø	UG	#14 - #10	#14 - #10	#14 - #10

Part/UPC Number	Catalog Number	Overall Dimensions			L Dimension	Top Provision	Knockout Layout
		Height	Width	Depth			
78205150030	121814	42"	24"	11"	15 <sup>11</sup> / <sub>16</sub> "	H Hub	Fig. 1
78205150040	121815	42"	24"	11"	15 <sup>11</sup> / <sub>16</sub> "	H Hub	Fig. 1
78205150020	121816	42"	24"	11"	15 <sup>11</sup> / <sub>16</sub> "	H Hub	Fig. 1
78205150050	121818	42"	24"	11"	15 <sup>11</sup> / <sub>16</sub> "	H Hub	Fig. 1
78205150080	122013	42"	36"	11"	15 <sup>11</sup> / <sub>16</sub> "	H Hub	Fig. 2
78205122735	122015	42"	36"	11"	15 <sup>11</sup> / <sub>16</sub> "	H Hub	Fig. 2
78205150090	122018	42"	36"	11"	15 <sup>11</sup> / <sub>16</sub> "	H Hub	Fig. 2
78205149000	U121814 *	52"	24"	11"	25 <sup>11</sup> / <sub>16</sub> "	None	Fig. 1
78205149010	U121815 *	52"	24"	11"	25 <sup>11</sup> / <sub>16</sub> "	None	Fig. 1
78205149020	U121816 *	52"	24"	11"	25 <sup>11</sup> / <sub>16</sub> "	None	Fig. 1
78205149030	U121818 *	52"	24"	11"	25 <sup>11</sup> / <sub>16</sub> "	None	Fig. 1
78205149040	U122013 *	52"	36"	11"	25 <sup>11</sup> / <sub>16</sub> "	None	Fig. 2
78205149045	U122015 *	52"	36"	11"	25 <sup>11</sup> / <sub>16</sub> "	None	Fig. 2
78205149050	U122018 *	52"	36"	11"	25 <sup>11</sup> / <sub>16</sub> "	None	Fig. 2

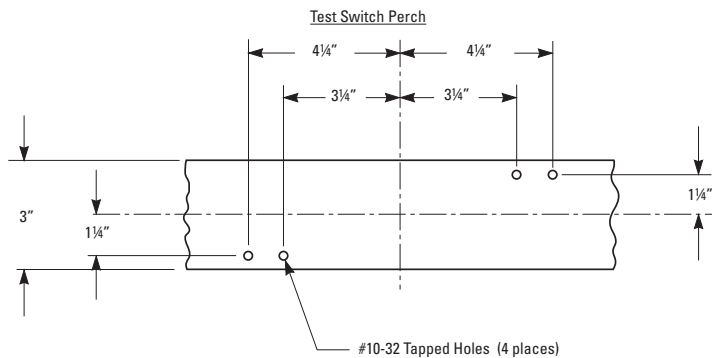
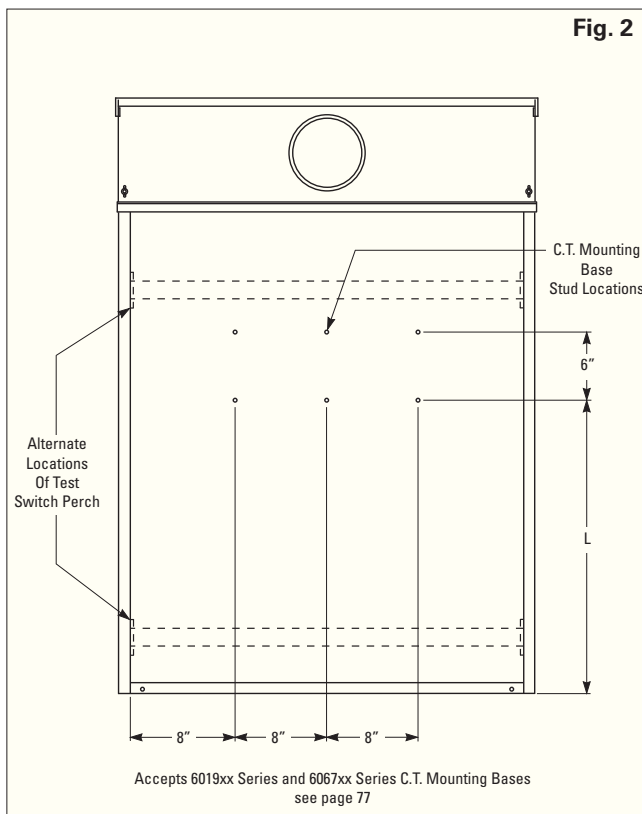
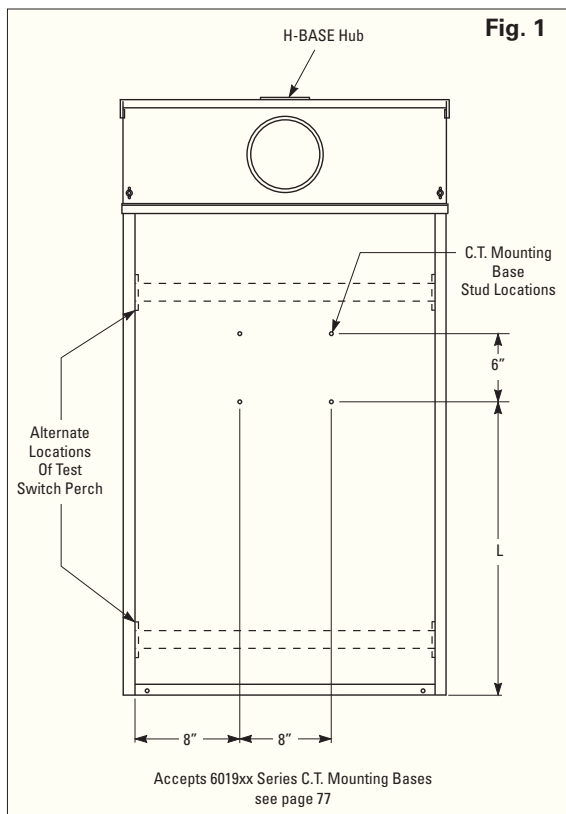
\* Items beginning with "U" comply with EUSERC 314, all other items comply with EUSERC 313.

Data subject to change without notice. Consult local utility for area acceptance. All dimensions are in inches.

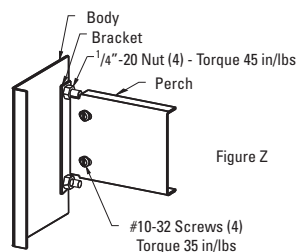
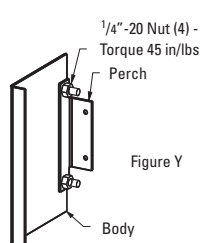
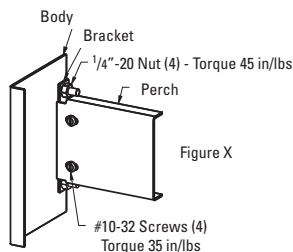
# Meter Socket / Enclosure Combination Cabinets

Style #	Suffixes
(U) 121814	SS - Stainless Steel
(U) 121815	
(U) 121816	
(U) 121818	
(U) 122013	
(U) 122015	
(U) 122018	

CT Rated



**Test Switch Perch Instructions**



This enclosure is assembled with the test switch installed at a factory offset distance from the cover (see Figure 1). If a greater offset is desired, follow these instructions:

1. Loosen and remove the screws holding the perch to the bracket, remove the perch. Loosen and remove the nuts on the bracket studs. (See Figure X)
2. Remove and rotate the brackets 180 degrees and relocate back onto bracket studs. (See Figure Y) Then fasten the nuts back on the bracket studs and torque them to 45 in/lbs.
3. Place the perch on the brackets and fasten with the screws, and torque screws to 35 in/lbs. (See Figure Z)

Data subject to change without notice. Consult local utility for area acceptance. All dimensions are in inches.

# CT Enclosures With Lift Off Covers



18249 RTCT (closed)



18249 RTCT (open)



## Application

- Designed to house ANSI C12.11 current transformers
- Includes provision to install model 6019/6067 CT mounts
- Surface mount

## Construction

- Enclosure has mounting holes on back of body
- Covers include padlock provision, utility sealing provisions, wing nuts, and lifting handles
- Enclosures over 36" wide and 42" tall have two overlapping covers
- NEMA Type 3R
- ANSI 61 gray E-coat finish

## Standards

- UL 414 Listed
- EUSERC 316

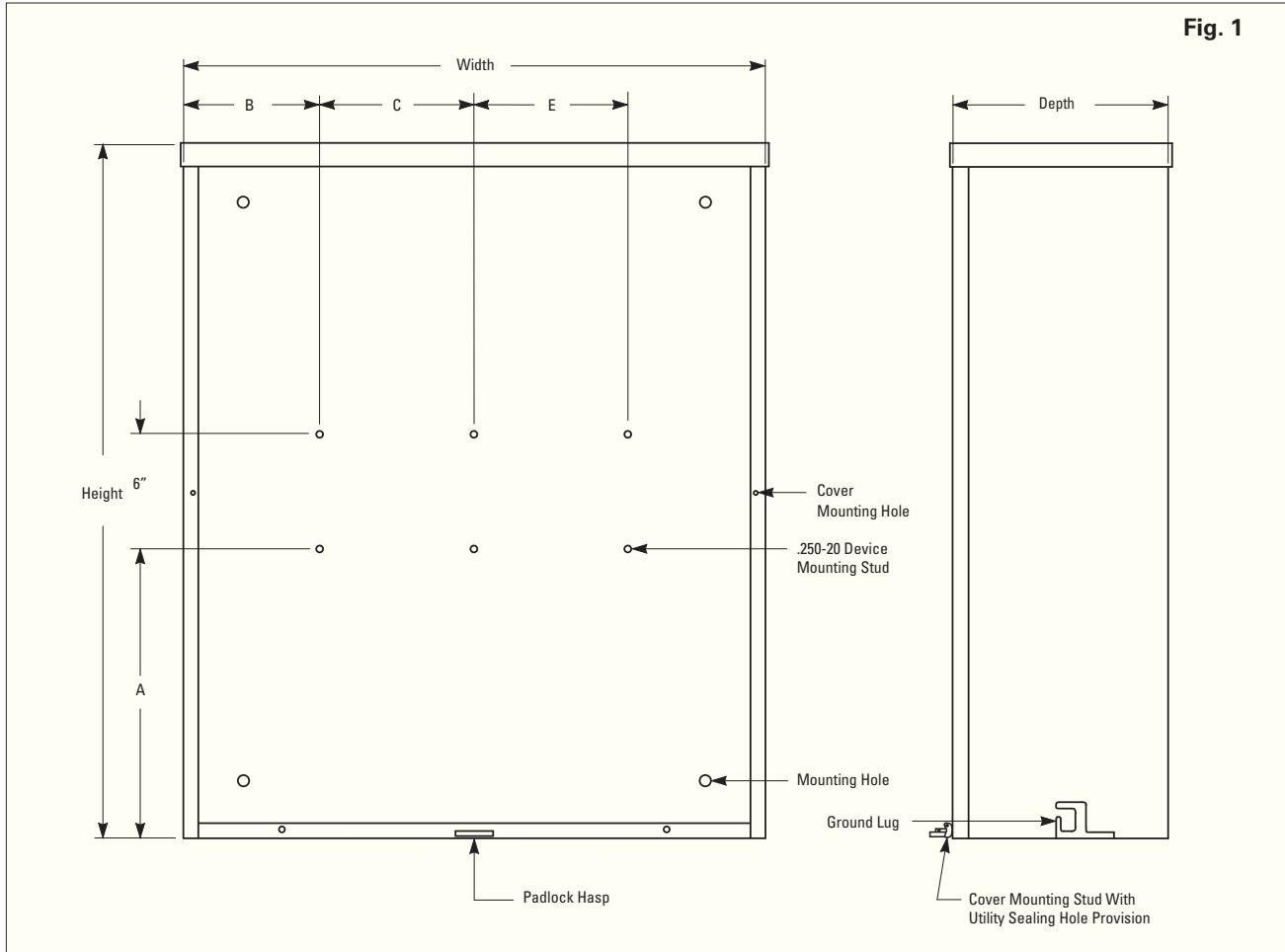
Part/UPC Number	Catalog Number	Service Type	Use With Mounting Base	Overall Dimensions			Knockout Layout
				Height	Width	Depth	
78205137005	<b>18249 RTCT</b>	1Ø	6019	24"	18"	9"	Fig. 1
78205137020	<b>242411 RTCT</b>	1Ø	6019	24"	24"	11"	Fig. 1
78205137030	<b>243011 RTCT</b>	1Ø	6019	30"	24"	11"	Fig. 1
78205137025	<b>24329 RTCT</b>	1Ø	6019	32"	24"	9"	Fig. 1
78205137070	<b>243611 RTCT</b>	1Ø	6019	36"	24"	11"	Fig. 1
78205144811	<b>244811 RTCT</b>	1Ø	6019	48"	24"	11"	Fig. 1
78205137070	<b>303011 RTCT</b>	1Ø or 3Ø	6019 or 6067	30"	30"	11"	Fig. 1
78205137080	<b>303611 RTCT</b>	1Ø or 3Ø	6019 or 6067	36"	30"	11"	Fig. 1
78205130113	<b>303614 RTCT</b>	1Ø or 3Ø	6019 or 6067	36"	30"	14"	Fig. 1
78205137090	<b>363611 RTCT</b>	1Ø or 3Ø	6019 or 6067	36"	36"	11"	Fig. 1
78205137100	<b>364211 RTCT</b>	1Ø or 3Ø	6019 or 6067	42"	36"	11"	Fig. 1
78205137110	<b>364811 RTCT</b>	1Ø or 3Ø	6019 or 6067	48"	36"	11"	Fig. 1
78205137200	<b>364814 RTCT</b>	1Ø or 3Ø	6019 or 6067	48"	36"	14"	Fig. 1
78205124211	<b>424211 RTCT</b>	1Ø or 3Ø	6019 or 6067	42"	42"	11"	Fig. 1
78205140872	<b>484811 RTCT</b>	1Ø or 3Ø	6019 or 6067	48"	48"	11"	Fig. 1

Part/UPC Number	Catalog Number	A	B	C	E
78205137005	<b>18249 RTCT</b>	--	--	--	--
78205137020	<b>242411 RTCT</b>	9"	8"	8"	--
78205137030	<b>243011 RTCT</b>	12"	8"	8"	--
78205137025	<b>24329 RTCT</b>	--	--	--	--
78205137070	<b>243611 RTCT</b>	15"	8"	8"	--
78205144811	<b>244811 RTCT</b>	21"	8"	8"	--
78205137070	<b>303011 RTCT</b>	12"	7"	8"	8"
78205137080	<b>303611 RTCT</b>	15"	7"	8"	8"
78205130113	<b>303614 RTCT</b>	15"	7"	8"	8"
78205137090	<b>363611 RTCT</b>	15"	10"	8"	8"
78205137100	<b>364211 RTCT</b>	18"	10"	8"	8"
78205137110	<b>364811 RTCT</b>	21"	10"	8"	8"
78205137200	<b>364814 RTCT</b>	21"	10"	8"	8"
78205124211	<b>424211 RTCT</b>	18"	13"	8"	8"
78205140872	<b>484811 RTCT</b>	--	--	--	--

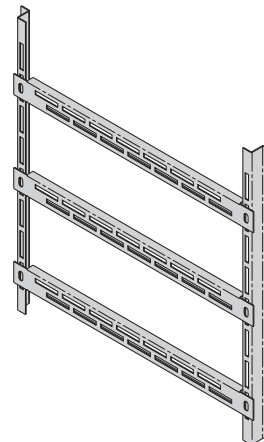


# CT Enclosures With Lift Off Covers

Style #	Suffixes
xxxxxx RTCT	<b>MS40</b> - Mounting studs for 415 H - Universal CT Rack <b>SS</b> - Stainless Steel



**415 H**  
Universal CT Rack



CT Metering

Data subject to change without notice. Consult local utility for area acceptance. All dimensions are in inches.

# CT Enclosures With Hinged, Lift Off Doors



**363611 HRTCT (closed)**



**363611 HRTCT (open)**



## Application

- Designed to house ANSI C12.11 current transformers
- Includes provision to install model 6019/6067 CT mounts
- Surface mount

## Construction

- Enclosure has mounting holes on back of body
- Covers include utility sealing provisions, wing nuts, and lifting handles
- DD parts include master/slave style overlapping doors
- NEMA Type 3R
- Wash and phosphate undercoat
- ANSI 61 gray E-coat finish

## Standards

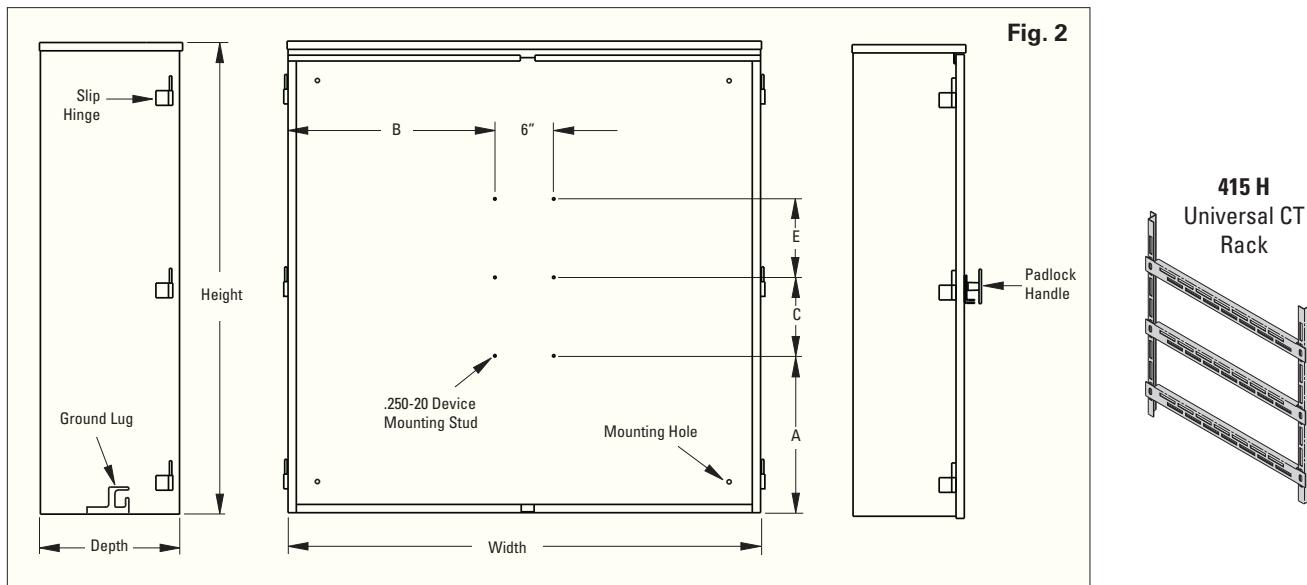
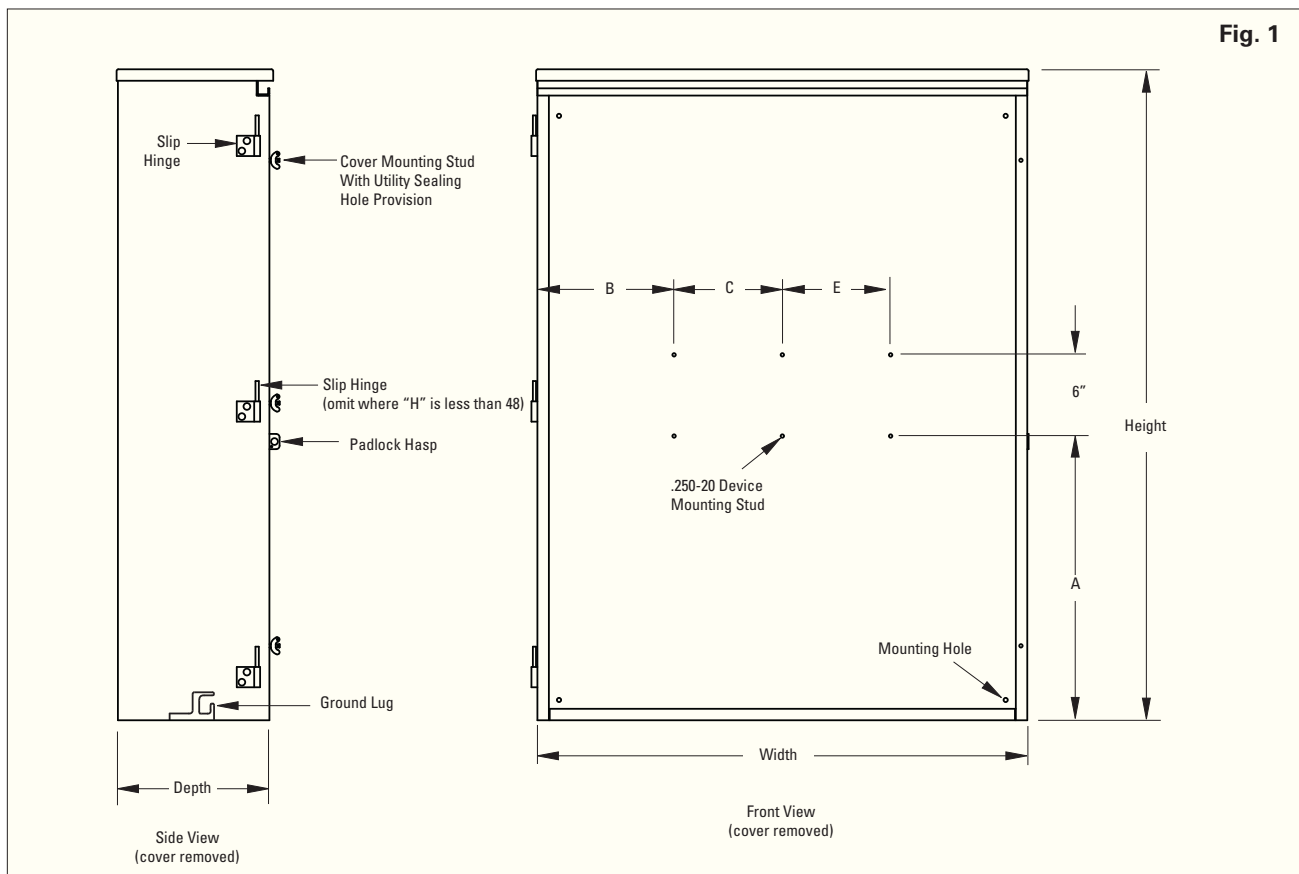
- UL 414 Listed
- EUSERC 316

Part/UPC Number	Catalog Number	Service Type	Use With Mounting Base	Height	Overall Dimensions Width	Depth	Knockout Layout
78205180295	<b>203611 HRTCT</b>	1Ø	6019	36"	20"	11"	Fig. 1
78205180435	<b>243011 HRTCT</b>	1Ø	6019	30"	24"	11"	Fig. 1
78205180436	<b>244811 HRTCT</b>	1Ø or 3Ø	6019 or 6067	48"	24"	11"	Fig. 1
78205180445	<b>303611 HRTCT</b>	1Ø or 3Ø	6019 or 6067	36"	30"	11"	Fig. 1
78205180446	<b>304811 HRTCT</b>	1Ø or 3Ø	6019 or 6067	48"	30"	11"	Fig. 1
78205180455	<b>363611 HRTCT</b>	1Ø or 3Ø	6019 or 6067	36"	36"	11"	Fig. 1
78205180456	<b>364811 HRTCT</b>	1Ø or 3Ø	6019 or 6067	48"	36"	11"	Fig. 1
78205105532	<b>484814 DDHRTCT</b>	1Ø or 3Ø	6019 or 6067	48"	48"	11"	Fig. 2

Part/UPC Number	Catalog Number	A	B	C	E
78205180295	<b>203611 HRTCT</b>	--	--	--	--
78205180435	<b>243011 HRTCT</b>	12"	8"	8"	--
78205180436	<b>244811 HRTCT</b>	21"	8"	8"	--
78205180445	<b>303611 HRTCT</b>	15"	7"	8"	8"
78205180446	<b>304811 HRTCT</b>	21"	7"	8"	8"
78205180455	<b>363611 HRTCT</b>	15"	10"	8"	8"
78205180456	<b>364811 HRTCT</b>	21"	10"	8"	8"
78205105532	<b>484814 DDHRTCT</b>	16"	21"	8"	8"

# CT Enclosures With Hinged, Lift Off Doors

Style #	Suffixes
xxxxxx HRTCT	<b>MS40</b> - Mounting studs for
xxxxxx DDHRTCT	415 H - Universal CT Rack
	<b>SS</b> - Stainless Steel



Data subject to change without notice. Consult local utility for area acceptance. All dimensions are in inches.

# CT Mounting Bases



6019 HE



6019 HELS



6019 HEL



## Application

- For use with CT rated enclosures
- For use with ANSI C12.11 bar type current transformers

## Construction

- Bar mounts are 1/2" studs on 1 3/4" centers (line & load)

## Standards

- UL 414 Listed
- ANSI C12.7
- EUSERC 328A (6019 stud/stud)
- EUSERC 328B (6019 lug/lug)
- EUSERC 329A (6067 stud/stud)
- EUSERC 329B (6067 lug/lug)

Part/UPC Number	Catalog Number	Amp Rating	# of C.T. Provisions	Service Type	Access	AIC	Phase / Neutral Conductors	Line	Load
78205137750	<b>6019 A</b>	400	2	1Ø or 3Ø/3W	OH/UG	10K	Studs	Studs	
78205137755	<b>6019 E</b>	800	2	1Ø or 3Ø/3W	OH/UG	10K	Studs	Studs	
78205140822	<b>6019 HA</b>	400	2	1Ø or 3Ø/3W	OH/UG	50K	Studs	Studs	
78205108761	<b>6019 HAL</b>	400	2	1Ø or 3Ø/3W	OH/UG	50K	(3) #4 - 600 MCM*	(3) #4 - 600 MCM*	
78205111459	<b>6019 HALS</b>	400	2	1Ø or 3Ø/3W	OH/UG	50K	Studs	(3) #4 - 600 MCM*	
78205140826	<b>6019 HE</b>	800	2	1Ø or 3Ø/3W	OH/UG	50K	Studs	Studs	
78205108608	<b>6019 HEL</b>	800	2	1Ø or 3Ø/3W	OH/UG	50K	(3) #4 - 600 MCM	(3) #4 - 600 MCM	
78205111461	<b>6019 HELS</b>	800	2	1Ø or 3Ø/3W	OH/UG	50K	Studs	(3) #4 - 600 MCM	
78205137760	<b>6067 A</b>	400	3	3Ø/4W	OH/UG	10K	Studs	Studs	
78205137765	<b>6067 EE</b>	800	3	3Ø/4W	OH/UG	10K	Studs	Studs	
78205140776	<b>6067 HA</b>	400	3	3Ø/4W	OH/UG	50K	Studs	Studs	
78205108698	<b>6067 HAL</b>	400	3	3Ø/4W	OH/UG	50K	(3) #4 - 600 MCM*	(3) #4 - 600 MCM*	
78205111452	<b>6067 HALS</b>	400	3	3Ø/4W	OH/UG	50K	Studs	(3) #4 - 600 MCM*	
78205140780	<b>6067 HEE</b>	800	3	3Ø/4W	OH/UG	50K	Studs	Studs	
78205107177	<b>6067 HEEL</b>	800	3	3Ø/4W	OH/UG	50K	(3) #4 - 600 MCM	(3) #4 - 600 MCM	
78205111464	<b>6067 HEELS</b>	800	3	3Ø/4W	OH/UG	50K	Studs	(3) #4 - 600 MCM	

Note: \* Neutral Lug is one barrel only

Note: Every 600 MCM lug barrel will accept (2) 1/0-250 MCM cables

# CT Mounting Bases

## Test Switch Configuration Sheet

### Application

- Current transformer metering
- Customizable configurations

### Construction

- BMC mounting base
- Tin and nickel plating
- Color coded handles

### Standards

- UL Recognized component
- ANSI C12.9



Name \_\_\_\_\_

Company Name \_\_\_\_\_

Address \_\_\_\_\_

Phone \_\_\_\_\_

Email \_\_\_\_\_



### Poles

### Configuration

Switch (KS, SH, CN, TB, X)

Bussing (B, S)

Ganged Handles (Y, N)

Barrier (Y, N)

Handle Color (R, B)

45° Stops (Y, N)

1	2	3	4	5	6	7	8	9	10


### Special Features

- |              |                          |        |                          |         |                          |        |                          |       |
|--------------|--------------------------|--------|--------------------------|---------|--------------------------|--------|--------------------------|-------|
| Cover        | <input type="checkbox"/> | Yes    | <input type="checkbox"/> | No      |                          |        |                          |       |
| Base Size    | <input type="checkbox"/> | 7 Pole | <input type="checkbox"/> | 10 Pole |                          |        |                          |       |
| No. of Poles | <input type="checkbox"/> | 4      | <input type="checkbox"/> | 7       | <input type="checkbox"/> | 10     | <input type="checkbox"/> | Other |
| Plating      | <input type="checkbox"/> | None   | <input type="checkbox"/> | Tin     | <input type="checkbox"/> | Nickel |                          |       |

### Keys

### Switches

KS	SH	CN	TB	X
Knife Switch	Knife Switch with shunt	Current Switch with Test Jack	Thru Bar	Unused Space

### Bussing

- |          |        |
|----------|--------|
| <b>B</b> | Bypass |
| <b>S</b> | Short  |

### Handle Color

- |          |       |
|----------|-------|
| <b>R</b> | Red   |
| <b>B</b> | Black |

- Other options and arrangements are available. Please contact the factory for a full product line.
- Test Switched are available mounted and wired. Contact factory for details.

For online form, see [www.cooperblinemetring.com](http://www.cooperblinemetring.com).

Send completed form to customer service at Eaton's B-Line Business. See address information on back cover.

Data subject to change without notice. Consult local utility for area acceptance. All dimensions are in inches.

# CT Utility Enclosures



## Application

- Used for split core CT applications

## Construction

- NEMA Type 3R
- ANSI 61 gray E-coat finish
- 3/4" wood back panel installed

## Standards

- Not UL Listed

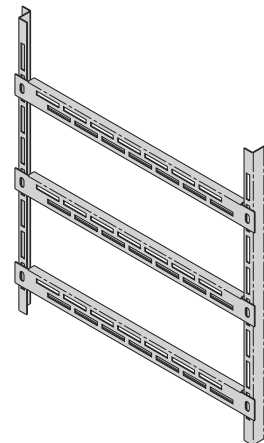
### Utility Enclosures

Part/UPC Number	Catalog Number	Overall Dimensions			Doors	Meter Viewing Window	Special	Layout
		Height	Width	Depth				
78205138000	<b>345 HC</b>	24"	18"	11"	Single, Hinged	--	For "A" Base Metering	Fig. 1
78205138020	<b>351 HC</b>	30"	24"	11"	Single, Hinged	--	For "A" Base Metering	Fig. 1
78205138030	<b>352 HC</b>	28"	28"	11"	Single, Hinged	1, Hinged	--	Fig. 2
78205138041	<b>353 DHC</b>	24"	30"	12"	Single, Lift Off	3, Hinged	--	Fig. 3
78205138090	<b>360 HC</b>	24"	14"	10"	Single, Lift Off	1, Hinged	w/ Pole Mount Brackets	Fig. 4
78205138050	<b>420 HC</b>	48"	34"	13"	Double, Hinged	--	3-Pt Latching Handle	Fig. 5a
78205138070	<b>421 HC</b>	48"	34"	13"	Double, Hinged	1, Hinged	3-Pt Latching Handle	Fig. 5b
78205138080	<b>422 HC</b>	48"	34"	13"	Double, Hinged	2, Hinged	3-Pt Latching Handle	Fig. 5c

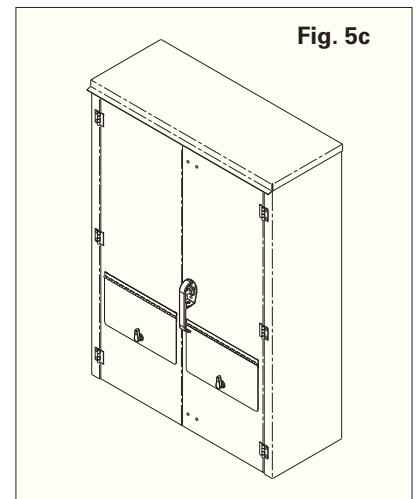
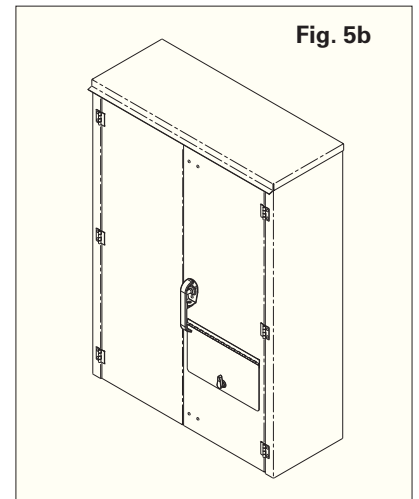
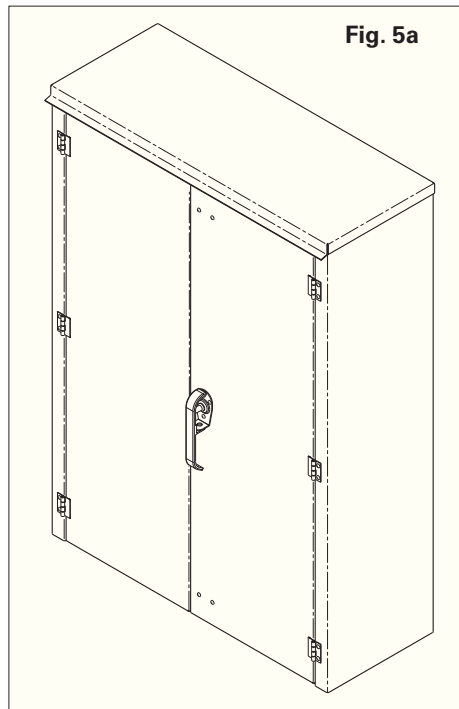
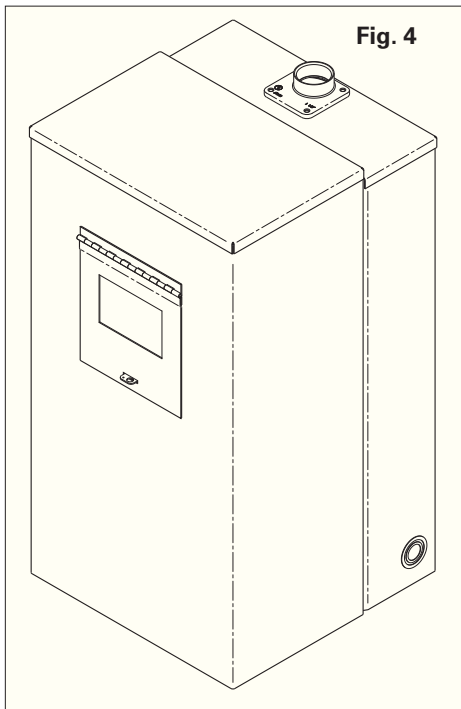
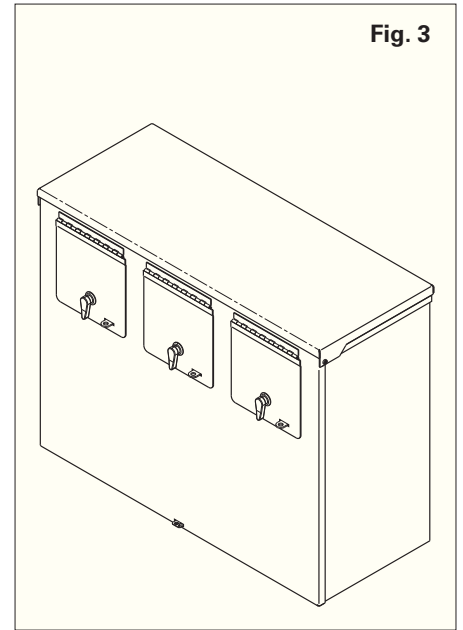
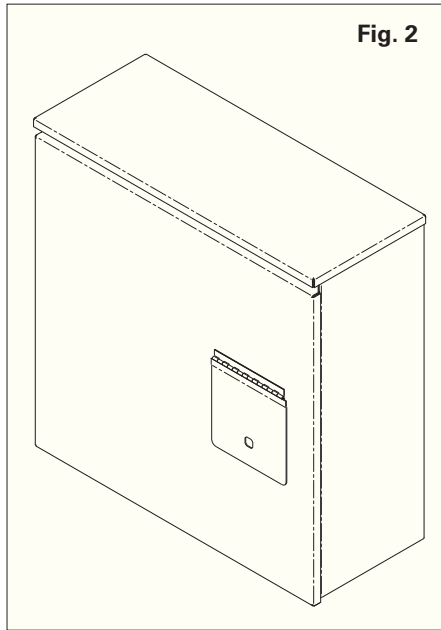
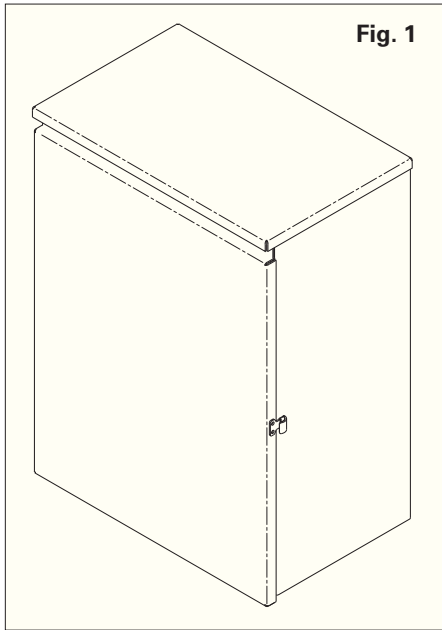
### Universal CT Equipment Mounting Racks

Part/UPC Number	Catalog Number	Overall Dimensions	
		Height	Width
78205138060	<b>415</b>	33"	36"
78205138065	<b>415 H</b>	26"	28"

415 H



## Layouts



Data subject to change without notice. Consult local utility for area acceptance. All dimensions are in inches.

