

Section Z-Z

FEMALE INSERT FRONT VIEW

3 POLE	4 POLE	5 POLE
1 BROWN 3 BLUE 4 BLACK	1 BROWN 2 WHITE 3 BLUE 4 BLACK	1 BROWN 2 WHITE 3 BLUE 4 BLACK 5 GREY

ENTER DESCRIPTION EC NO: MNA2009-0804 DRAWN BY: DRWINAKUMAR01 2009/06/30 CHKD: JFMURPHY APPR: JFMURPHY 2009/07/08 REV: A	DESCRIPTION QUALITY SYMBOLS ▽=0 ▽=0
---	--

GENERAL TOLERANCES (UNLESS SPECIFIED) 4 PLACES ± --- ± --- 3 PLACES ± --- ± --- 2 PLACES ± --- ± --- 1 PLACE ± --- ± --- ANGULAR ±1/2° DRAFT WHERE APPLICABLE MUST REMAIN WITHIN DIMENSIONS

DIMENSION STYLE IN/MM DRAWN BY: NKUMAR01 CHECKED BY: BWOODMAN APPROVED BY: JFMURPHY MATERIAL NO. SEE SHEET 2	DATE: 30/06/09 DATE: 30/06/09 DATE: 30/06/09
--	--

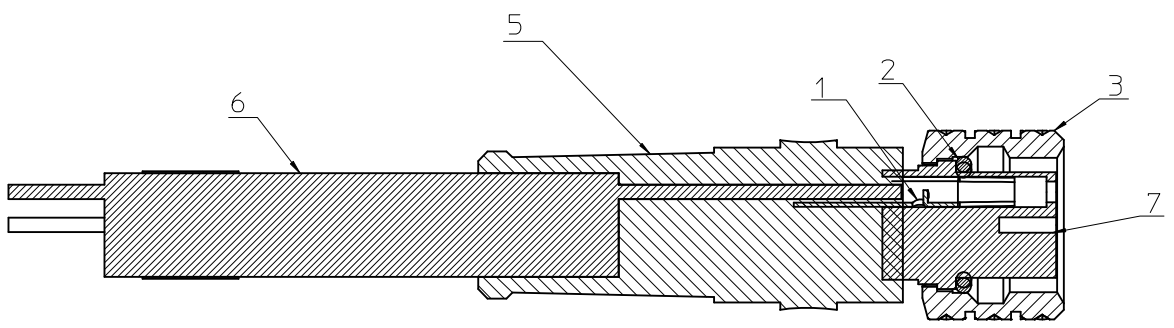
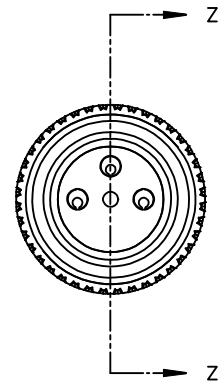
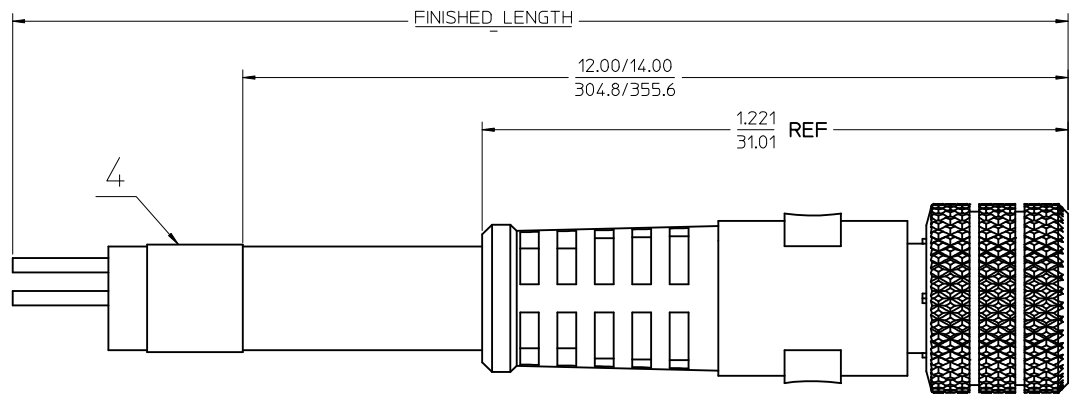
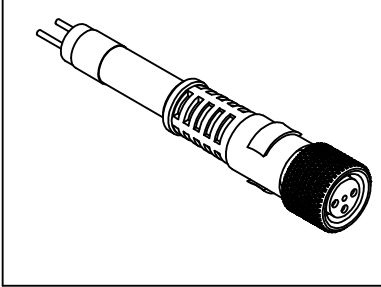
SCALE: 5:1 DESIGN UNITS: INCH THIRD ANGLE PROJECTION	TITLE: NC 3P FP 2M COUPLER 24AWG PVC MOLEX INCORPORATED DOCUMENT NO. SD-120086-102 SHEET NO. 1 OF 2
THIS DRAWING CONTAINS INFORMATION THAT IS PROPRIETARY TO MOLEX INCORPORATED AND SHOULD NOT BE USED WITHOUT WRITTEN PERMISSION	

				ASSEMBLY		
				3 POLE	4 POLE	5 POLE
SL.No	DESCRIPTION	MATERIAL	FINISH	QTY		
1	CONTACT SOCKET	COPPER ALLOY	GOLD PLATED	3	4	5
2	O-RING	VITON	RED	1	1	1
3	COUPLING NUT	BRASS	NICKEL PLATED			
4	LABEL	PLASTIC FILM	BLACK/YELLOW			
5	OVER MOLD	TPE	YELLOW			
6	CABLE, 24 AWG, 3 CONDUCTOR	PVC JACKET	YELLOW	1		
	CABLE, 24 AWG, 4 CONDUCTOR	PVC JACKET	YELLOW		1	
	CABLE, 24 AWG, 5 CONDUCTOR	PVC JACKET	YELLOW			1
7	INSERT FEMALE 3 POLE	PUR	BLACK	1		
	INSERT FEMALE 4 POLE	PUR	BLACK		1	
	INSERT FEMALE 5 POLE	PUR	BLACK			1

PART NUMBER	DESCRIPTION	FINISHED LENGTH
1200860102	403000A10M020	2M +90MM -0 [6' 6" +3.5" -0]
1200860106	403000A10M040	4M +150MM -0 [13' 1" +6" -0]
1200860107	403000A10M050	5M +150MM -0 [16' 4" +6" -0]
1200860108	403000A10M060	6M +150MM -0 [19' 7" +6" -0]
1200860111	403000A10M100	10M +300MM -0 [32' 4" +12" -0]
1200860144	404000A10M020	2M +90MM -0 [6' 6" +3.5" -0]
1200860146	404000A10M040	4M +150MM -0 [13' 1" +6" -0]
1200860147	404000A10M050	5M +150MM -0 [16' 4" +6" -0]
1200860148	404000A10M060	6M +150MM -0 [19' 7" +6" -0]
1200860155	404000A10M100	10M +300MM -0 [32' 4" +12" -0]
1200860191	405000A10M020	2M +90MM -0 [6' 6" +3.5" -0]
1200860192	405000A10M040	4M +150MM -0 [13' 1" +6" -0]
1200860193	405000A10M050	5M +150MM -0 [16' 4" +6" -0]
1200860578	405000A10M060	6M +150MM -0 [19' 7" +6" -0]
1200860194	405000A10M100	10M +300MM -0 [32' 4" +12" -0]

ENTER DESCRIPTION EC NO: MNA2009-0804 DRWN: NKUMAR01 2009/06/30 CHKD: APPR: JFMURPHY 2009/07/09 REV: A	QUALITY SYMBOLS =0 =0	GENERAL TOLERANCES (UNLESS SPECIFIED)		DIMENSION STYLE IN/MM	SCALE 5:1	DESIGN UNITS INCH	THIRD ANGLE PROJECTION		
		4 PLACES ± --- ± --- 3 PLACES ± --- ± --- 2 PLACES ± --- ± --- 1 PLACE ± --- ± ---	mm INCH ± --- ± --- ± --- ± --- ± --- ± --- ± --- ± ---	DRAWN BY NKUMAR01	DATE 30/06/09	TITLE NC 3P FP 2M COUPLER 24AWG PVC			
		ANGULAR ±1/2°		CHECKED BY BWOODMAN	DATE 30/06/09	MOLEX INCORPORATED			
		DRAFT WHERE APPLICABLE MUST REMAIN WITHIN DIMENSIONS		APPROVED BY JFMURPHY	DATE 30/06/09	MATERIAL NO. SEE CHART	DOCUMENT NO. SD-120086-102	SHEET NO. 2 OF 2	

THIS DRAWING CONTAINS INFORMATION THAT IS PROPRIETARY TO MOLEX INCORPORATED AND SHOULD NOT BE USED WITHOUT WRITTEN PERMISSION



Section Z-Z

FEMALE INSERT FRONT VIEW		
3 POLE	4 POLE	5 POLE
1 BROWN 3 BLUE 4 BLACK	1 BROWN 2 WHITE 3 BLUE 4 BLACK	1 BROWN 2 WHITE 3 BLUE 4 BLACK 5 GREY

ENTER DESCRIPTION EC NO: MNA2009-0804 DRAWN BY: DRWINAKUMAR01 2009/06/30 CHKD: JFMURPHY APPR: JFMURPHY 2009/07/08 REV: A	DESCRIPTION QUALITY SYMBOLS ▽=0 ▽=0
---	--

GENERAL TOLERANCES (UNLESS SPECIFIED)	
mm	INCH
4 PLACES ± ---	± ---
3 PLACES ± ---	± ---
2 PLACES ± ---	± ---
1 PLACE ± ---	± ---
ANGULAR ±1/2°	
DRAFT WHERE APPLICABLE MUST REMAIN WITHIN DIMENSIONS	

DIMENSION STYLE	
IN/MM	
DRAWN BY	DATE
NKUMAR01	30/06/09
CHECKED BY	DATE
BWOODMAN	30/06/09
APPROVED BY	DATE
JFMURPHY	30/06/09

SCALE 5:1	DESIGN UNITS INCH	THIRD ANGLE PROJECTION
TITLE NC 3P FP 2M COUPLER 24AWG PVC		
MATERIAL NO. SEE SHEET 2		DOCUMENT NO. SD-120086-102
SHEET NO. 1 OF 2		
THIS DRAWING CONTAINS INFORMATION THAT IS PROPRIETARY TO MOLEX INCORPORATED AND SHOULD NOT BE USED WITHOUT WRITTEN PERMISSION		

				ASSEMBLY		
				3 POLE	4 POLE	5 POLE
SL.No	DESCRIPTION	MATERIAL	FINISH	QTY		
1	CONTACT SOCKET	COPPER ALLOY	GOLD PLATED	3	4	5
2	O-RING	VITON	RED	1	1	1
3	COUPLING NUT	BRASS	NICKEL PLATED			
4	LABEL	PLASTIC FILM	BLACK/YELLOW			
5	OVER MOLD	TPE	YELLOW			
6	CABLE, 24 AWG, 3 CONDUCTOR	PVC JACKET	YELLOW	1		
	CABLE, 24 AWG, 4 CONDUCTOR	PVC JACKET	YELLOW		1	
	CABLE, 24 AWG, 5 CONDUCTOR	PVC JACKET	YELLOW			1
7	INSERT FEMALE 3 POLE	PUR	BLACK	1		
	INSERT FEMALE 4 POLE	PUR	BLACK		1	
	INSERT FEMALE 5 POLE	PUR	BLACK			1

PART NUMBER	DESCRIPTION	FINISHED LENGTH
1200860102	403000A10M020	2M +90MM -0 [6' 6" +3.5" -0]
1200860106	403000A10M040	4M +150MM -0 [13' 1" +6" -0]
1200860107	403000A10M050	5M +150MM -0 [16' 4" +6" -0]
1200860108	403000A10M060	6M +150MM -0 [19' 7" +6" -0]
1200860111	403000A10M100	10M +300MM -0 [32' 4" +12" -0]
1200860144	404000A10M020	2M +90MM -0 [6' 6" +3.5" -0]
1200860146	404000A10M040	4M +150MM -0 [13' 1" +6" -0]
1200860147	404000A10M050	5M +150MM -0 [16' 4" +6" -0]
1200860148	404000A10M060	6M +150MM -0 [19' 7" +6" -0]
1200860155	404000A10M100	10M +300MM -0 [32' 4" +12" -0]
1200860191	405000A10M020	2M +90MM -0 [6' 6" +3.5" -0]
1200860192	405000A10M040	4M +150MM -0 [13' 1" +6" -0]
1200860193	405000A10M050	5M +150MM -0 [16' 4" +6" -0]
1200860578	405000A10M060	6M +150MM -0 [19' 7" +6" -0]
1200860194	405000A10M100	10M +300MM -0 [32' 4" +12" -0]

ENTER DESCRIPTION EC NO: MNA2009-0804 DRWN: NKUMAR01 2009/06/30 CHKD: APPR: JFMURPHY 2009/07/09 REV: A	QUALITY SYMBOLS =0 =0	GENERAL TOLERANCES (UNLESS SPECIFIED)		DIMENSION STYLE IN/MM	SCALE 5:1	DESIGN UNITS INCH	THIRD ANGLE PROJECTION		
		4 PLACES ± --- ± --- 3 PLACES ± --- ± --- 2 PLACES ± --- ± --- 1 PLACE ± --- ± ---	mm INCH ± --- ± --- ± --- ± --- ± --- ± --- ± --- ± ---	DRAWN BY NKUMAR01	DATE 30/06/09	TITLE NC 3P FP 2M COUPLER 24AWG PVC			
		ANGULAR ±1/2°		CHECKED BY BWOODMAN	DATE 30/06/09	MOLEX INCORPORATED			
		DRAFT WHERE APPLICABLE MUST REMAIN WITHIN DIMENSIONS		APPROVED BY JFMURPHY	DATE 30/06/09	MATERIAL NO. SEE CHART	DOCUMENT NO. SD-120086-102	SHEET NO. 2 OF 2	