

# **BALDOR**® • *RELIANCE*

## Product Information Packet

# CFDL3504M

.5HP, 1725RPM, 1PH, 60HZ, 56C, 3421L, TEFC, F1

Part Detail							
Revision:	B	Status:	PRD/A	Change #:		Proprietary:	No
Type:	AC	Elec. Spec:	34WGW722	CD Diagram:	CD0008	Mfg Plant:	
Mech. Spec:	34M371	Layout:	34LYM371	Poles:	04	Created Date:	12-10-2013
Base:	RG	Eff. Date:	07-20-2015	Leads:	6#18,1#16 #4TH		

Specs			
Catalog Number:	CFDL3504M	Inverter Code:	Not Inverter
Enclosure:	TEFC	KVA Code:	J
Frame:	56C	Lifting Lugs:	No Lifting Lugs
Frame Material:	Steel	Locked Bearing Indicator:	Locked Bearing
Output @ Frequency:	.500 HP @ 60 HZ	Motor Lead Quantity/Wire Size:	6 @ 18 AWG
Synchronous Speed @ Frequency:	1800 RPM @ 60 HZ	Motor Lead Exit:	Ko Box
Voltage @ Frequency:	115.0 V @ 60 HZ	Motor Lead Termination:	Flying Leads
	230.0 V @ 60 HZ	Motor Type:	3421L
XP Class and Group:	None	Mounting Arrangement:	F1
XP Division:	Not Applicable	Power Factor:	66
Agency Approvals:	UR	Product Family:	General Purpose
	CSA	Product Type:	FARM DUTY
Auxillary Box:	No Auxillary Box	Pulley End Bearing Type:	Sealed Bearing
Auxillary Box Lead Termination:	None	Pulley Face Code:	C-Face
Base Indicator:	Rigid	Pulley Shaft Indicator:	Standard
Bearing Grease Type:	Polyrex EM (-20F +300F)	Rodent Screen:	None
Blower:	None	RoHS Status:	ROHS COMPLIANT
Current @ Voltage:	3.700 A @ 230.0 V	Shaft Extension Location:	Pulley End

	4.300 A @ 208.0 V	<b>Shaft Ground Indicator:</b>	No Shaft Grounding
	7.400 A @ 115.0 V	<b>Shaft Rotation:</b>	Reversible
<b>Design Code:</b>	N	<b>Shaft Slinger Indicator:</b>	Shaft Slinger
<b>Drip Cover:</b>	No Drip Cover	<b>Speed Code:</b>	Single Speed
<b>Duty Rating:</b>	CONT	<b>Motor Standards:</b>	NEMA
<b>Electrically Isolated Bearing:</b>	Not Electrically Isolated	<b>Starting Method:</b>	Direct on line
<b>Feedback Device:</b>	NO FEEDBACK	<b>Thermal Device - Bearing:</b>	None
<b>Front Face Code:</b>	Standard	<b>Thermal Device - Winding:</b>	None
<b>Front Shaft Indicator:</b>	None	<b>Vibration Sensor Indicator:</b>	No Vibration Sensor
<b>Heater Indicator:</b>	No Heater	<b>Winding Thermal 1:</b>	Manual Thermal Overload
<b>Insulation Class:</b>	B	<b>Winding Thermal 1 Location:</b>	KO
		<b>Winding Thermal 2:</b>	None

<b>Nameplate NP1280L</b>	
<b>CAT.NO.</b>	CFDL3504M
<b>SPEC.</b>	34M371W722
<b>HP</b>	.5
<b>VOLTS</b>	115/230
<b>AMP</b>	7.4/3.7
<b>RPM</b>	1725
<b>FRAME</b>	56C
<b>SER.F.</b>	1.25//
<b>NEMA-NOM-EFF</b>	68
<b>RATING</b>	40C AMB-CONT
<b>CC</b>	
<b>DE</b>	6203
<b>ENCL</b>	TEFC
	SFA 8.2/4.1

<b>HZ</b>	60	<b>PH</b>	1
<b>CODE</b>	J	<b>DES</b>	N
<b>PF</b>	66	<b>CL</b>	B
<b>USABLE AT 208V</b>	4.3		
<b>ODE</b>	6203		
<b>SN</b>			

**AC Induction Motor Performance Data**  
Record # 7082 - Typical performance - not guaranteed values

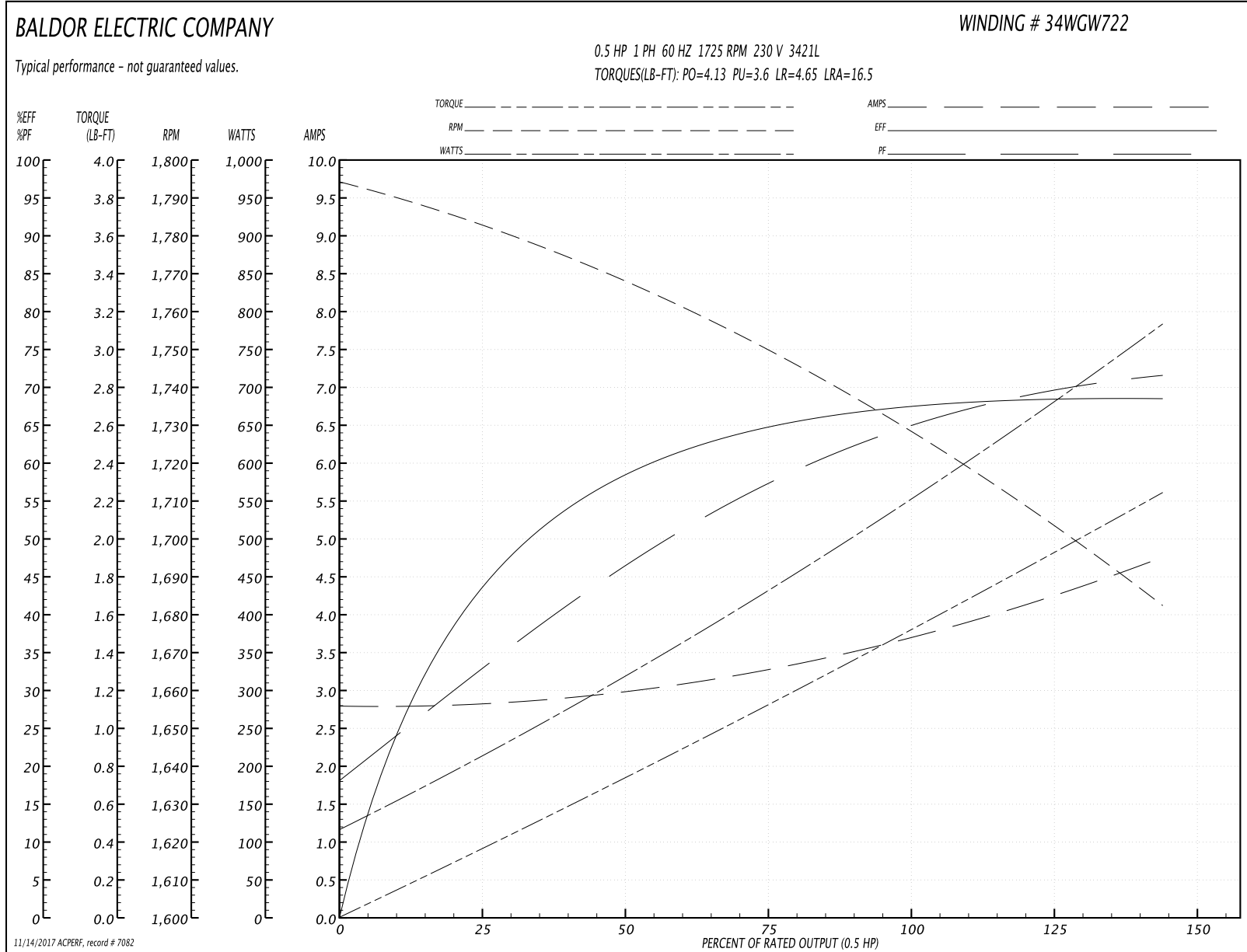
<b>Winding:</b> 34WGW722-R001	<b>Type:</b> 3421L	<b>Enclosure:</b> TEFC
-------------------------------	--------------------	------------------------

Nameplate Data				230 V, 60 Hz: High Voltage Connection	
Rated Output (HP)	.5			Full Load Torque	1.5 LB-FT
Volts	115/230			Start Configuration	direct on line
Full Load Amps	7.4/3.7			Breakdown Torque	4.13 LB-FT
R.P.M.	1725			Pull-up Torque	3.6 LB-FT
Hz	60	Phase	1	Locked-rotor Torque	4.65 LB-FT
NEMA Design Code	N	KVA Code	J	Starting Current	16.5 A
Service Factor (S.F.)	1.25			No-load Current	2.8 A
NEMA Nom. Eff.	68	Power Factor	66	Line-line Res. @ 25°C	4.44 Ω A Ph 3.19 Ω B Ph
Rating - Duty	40C AMB-CONT			Temp. Rise @ Rated Load	63°C
S.F. Amps	8.2/4.1			Temp. Rise @ S.F. Load	77°C

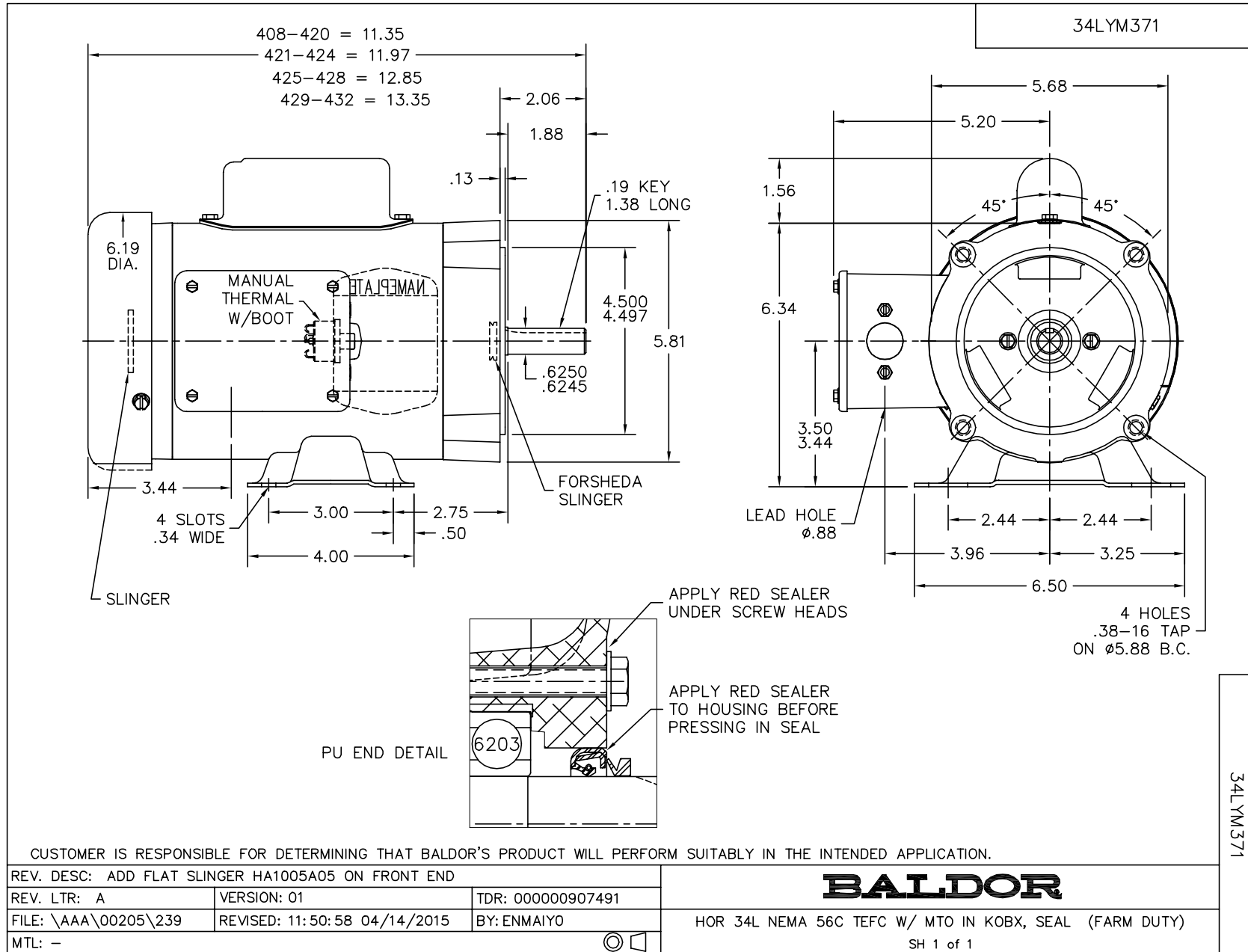
Load Characteristics 230 V, 60 Hz, 0.5 HP

% of Rated Load	25	50	75	100	125	150	S.F.
Power Factor	32	46	59	66	72	80	72
Efficiency	42	58	65	68	69	68	69
Speed	1783	1765	1750	1730	1710	1680	1710
Line amperes	2.8	3	3.3	3.7	4.1	4.8	4.1

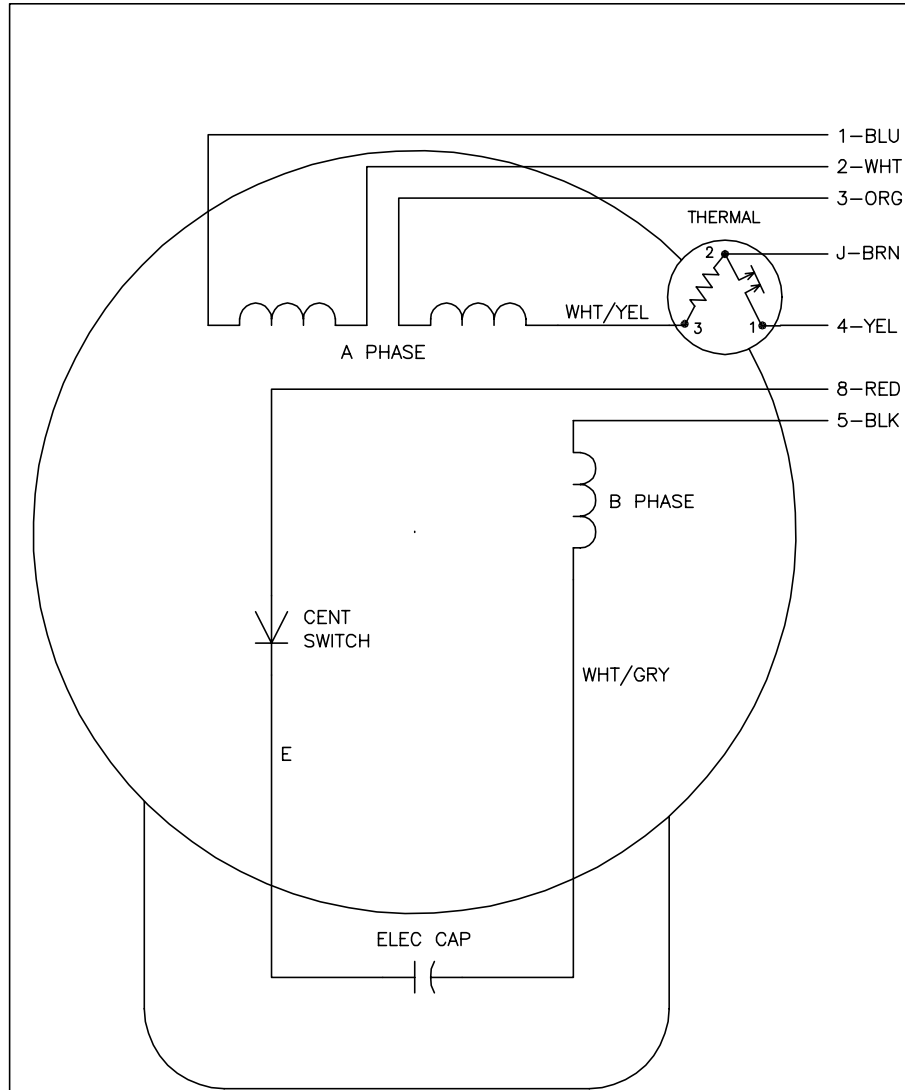
Performance Graph at 230V, 60Hz, 0.5HP Typical performance - Not guaranteed values



11/14/2017 ACPERF: record # 7082



CD0008



	LINE A	LINE B	JOIN	JOIN
HIGH STD	1	4	2,3,8	J,5
HIGH OPP	1	4	2,3,5	J,8
LOW STD	1,3,8	4	-	2,J,5
LOW OPP	1,3,5	4	-	2,J,8

NOTES:

1. STANDARD ROTATION IS CCW FACING END OPPOSITE SHAFT EXTENSION.
2. MULTIPLE CAPACITORS ARE CONNECTED IN PARALLEL UNLESS OTHERWISE SPECIFIED.
3. LEAD COLORS ARE OPTIONAL. LEADS MUST ALWAYS BE NUMBERED AS SHOWN.

REV. DESC: REMOVE 2-TERMINAL THERMAL DETAIL, SEE CD0008A02		
REV. LTR: F	VERSION: 01	TDR: 000000360649
80000D	FILE: \AAA\00007\408	REVISED: 10:56:54 04/18/2005
	MTL: -	BY: ENJOEPO

**BALDOR ELECTRIC Co.**

TYPE L, DV, REV, THERMAL, 7 LEADS

CD0008