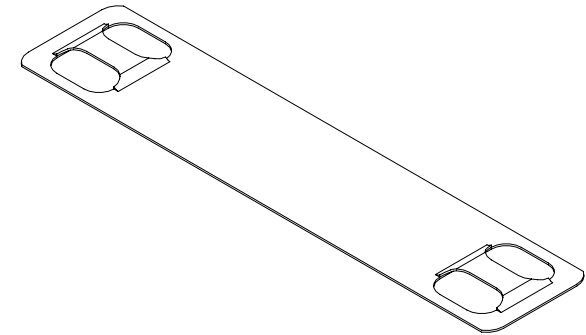
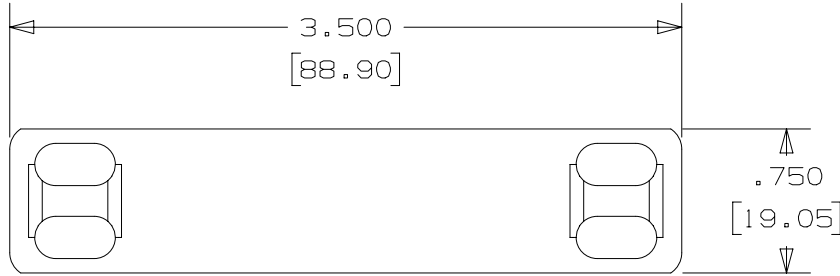


THIS COPY IS PROVIDED ON A RESTRICTED BASIS AND IS NOT TO BE USED IN ANY WAY DETRIMENTAL TO THE INTERESTS OF PANDUIT CORP.

PART NUMBER	COLOR	PKG QTY
MMP350H-CAL	NATURAL	100
MMP350H-MAL	NATURAL	1000

NOTES:

1. MATERIAL: ALUMINUM
2. BRACKETS ( ) DENOTES DIMENSIONS IN ARE MILLIMETERS AND ARE FOR REFERENCE ONLY
3. CUSTOM PERMANENT MARKING AVAILABLE, CONSULT FACTORY.
4. GALVANIC REACTION MAY OCCUR BETWEEN STAINLESS STEEL TIES AND ALUMINUM MARKER PLATES IN CERTAIN ENVIRONMENTS CAUSING THE ALUMINUM TO CORRODE. RECOMMEND USING PANDUIT ALUMINUM TIES.



REV	DATE	BY	CHK	APR	DESCRIPTION	ECN	TITLE	MATERIAL:	DRAWING NUMBER:	SIZE	
							ALUMINUM MARKER PLATES	SEE NOTES	N41270BS_DC	A	
							CUSTOMER DRAWING				
							ITEM REVISION NAME				
							N41270BS/05				
							DATASET FILE NAME				
							N41270BS_DC/05A				
							UNLESS OTHERWISE SPECIFIED, DIMENSIONAL TOLERANCES ARE: IN (mm)				
							.x ± .1 [ 2.54 ]      .xxx ± .005 [ .127 ]				
							.xx ± .01 [ .25 ]      ANGLES ± 5 °				
6	03.17.15	BDK	SKB	RGRO	REMOVED COLOR MARKER PLATES	N41270BS_DC	THIRD ANGLE PROJECTION				
							DRAWN BY	DATE	CHK	SCALE	SHT 1 OF 1
							MIM	8-6-08	SKB	1:1	A