




## 520 Series Metric OMNI-BLOK® Molded Base Fuse Block for 5×20mm Fuses



### Agency Approval

Agency	Agency File Number
	E14721
	7316
	97121

### Additional Information



Datasheet



Resources



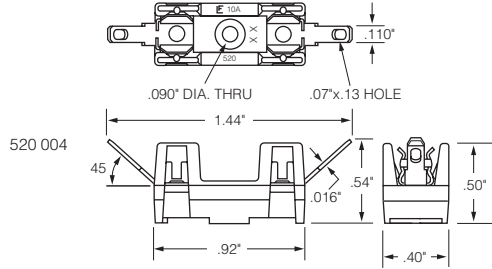
Samples

### Product Characteristics

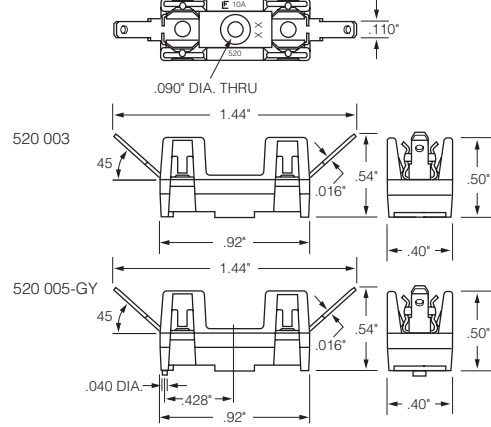
Compatible Fuse Sizes	5×20mm Fuses												
<b>Description</b>	The metric Omni-Blok® fuse block, for 5×20mm size fuses, is a low profile design that is available with a choice of solder type terminals, NEMA style QC terminals, or PC board mountable terminals. Each of these designs has tin plated brass terminals. A unique design feature provides self-alignment of the clips to the fuse caps. This feature, plus a one-piece clip/terminal design, assures low contact resistance. An anti-one-piece clip/terminal design, assures low contact resistance. An anti rotation feature is also available on the solder and QC terminal designs.												
<b>Electrical</b>	<table border="0"> <tr> <td></td> <td>UL/CSA</td> <td>VDE</td> </tr> <tr> <td>Solder Type</td> <td>— 10A, 600V.,</td> <td>6.3A, 250V</td> </tr> <tr> <td>Q.C. Type</td> <td>— 10A, 600V.</td> <td>6.3A, 250V</td> </tr> <tr> <td>PCB Type</td> <td>— 10A, 600V.</td> <td>6.3A, 250V</td> </tr> </table>		UL/CSA	VDE	Solder Type	— 10A, 600V.,	6.3A, 250V	Q.C. Type	— 10A, 600V.	6.3A, 250V	PCB Type	— 10A, 600V.	6.3A, 250V
	UL/CSA	VDE											
Solder Type	— 10A, 600V.,	6.3A, 250V											
Q.C. Type	— 10A, 600V.	6.3A, 250V											
PCB Type	— 10A, 600V.	6.3A, 250V											
<b>Dielectric Strength</b>	1500V., Minimum												
<b>Clip/Terminals</b>	Tin-Plated Spring Brass												
<b>Base</b>	Glass reinforced Thermoplastic. UL 94V0 flammability rating. Gray color (GY) for anti-rotational series, black color for all others.												
<b>Ambient Temperature</b>	–40°C to +85°C												

## Product Dimensions

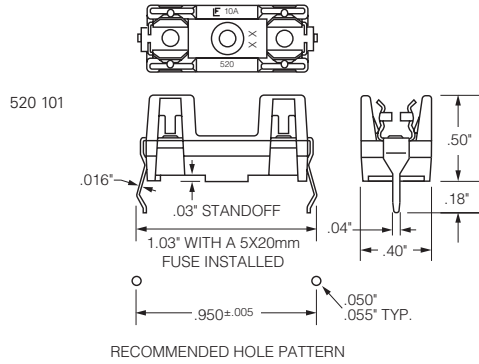
### Solder Terminals Type:



### Q.C. Terminals Type:



### PC Board Mount Type:



## Ordering Information

Ordering PN	Part Number	Width (B)	Clip/Terminal Material	Anti-Rotation Boss	Packing
<b>Solder Terminals Type</b>					
05200004Z	520004	.40"	Brass	No	Bulk starting at 1 piece
<b>Q.C. Terminals (NEMA Style .110") Type</b>					
05200003Z	520003	.40"	Brass	No	Bulk starting at 1 piece
05200005ZXGY	520005GY	.40"	Brass	Yes	Bulk starting at 1 piece
<b>P.C. Board Mount Type</b>					
05200101Z	520101	.40"	Brass	No	Bulk starting at 1 piece