

1 Bulkhead Opening Requirements

1-7/8" (47.6mm)

1-7/8" (47.6mm)

Ø 1-13/64" (30.6mm)

{not to scale}

2 Inside of Enclosure **Outside of Enclosure**

Enclosure Wall or Outlet Plate

Min. thickness: 0.035" (20 gauge)
Max. thickness: 0.135" (10 gauge)

Bulkhead Seal

Insert Bulkhead into prepared opening from outside of enclosure. While holding Bulkhead in place, secure with Nut on inside of enclosure. Hand turn Nut 4-1/4 to 5 full turns. Be careful not to tighten to the point the Bulkhead Seal is over compressed and displaced from the enclosure wall and the Bulkhead.
Note: If using wrench, flats on Nut should be on the outside.

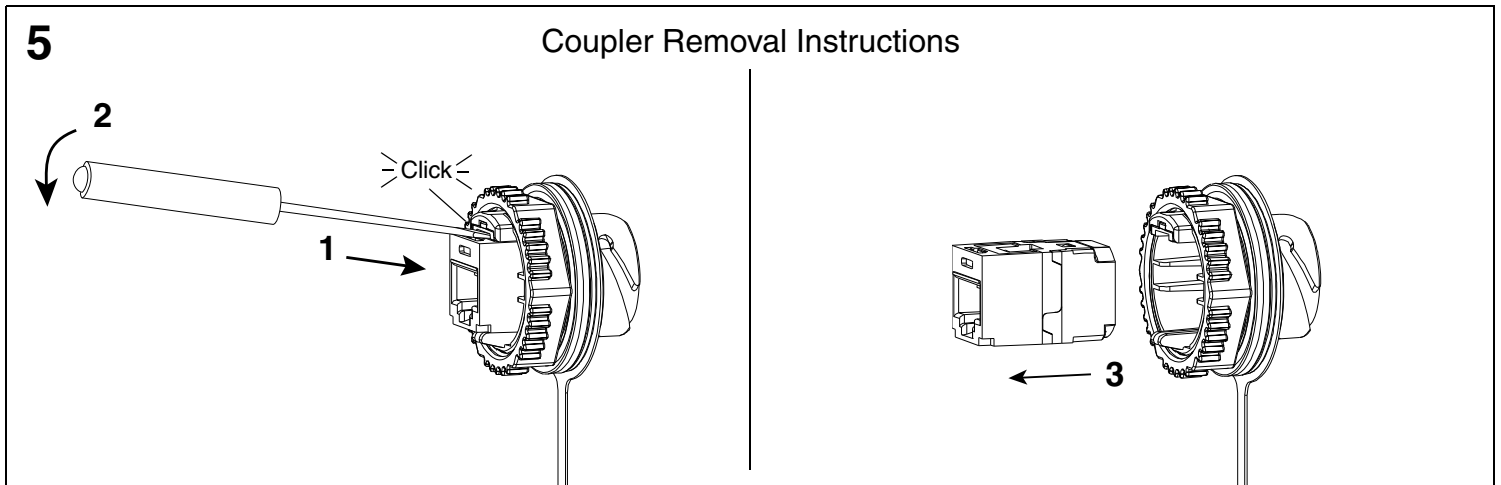
3

Rounded Edges

Click

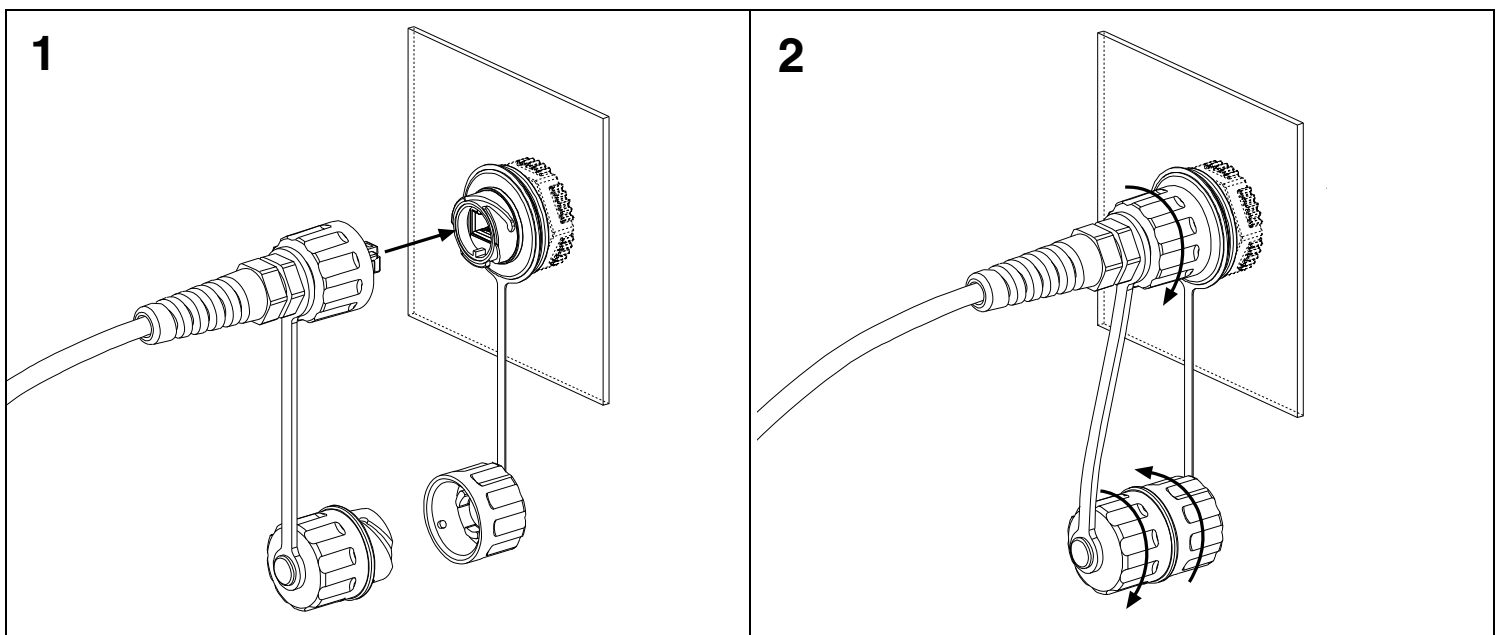
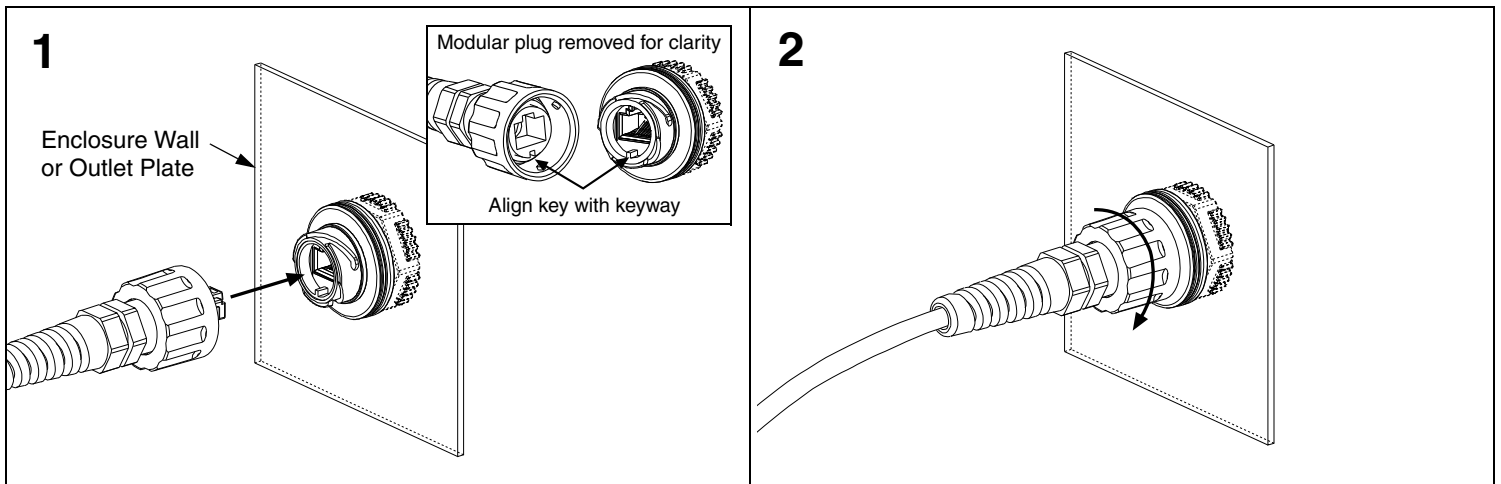
4

(Enclosure wall removed for clarity)



Installation for use with IndustrialNet Modular Plug

Note: Bulkhead combination must be used on a flat surface of a NEMA Type 12 Enclosure to maintain rating.



For Instructions in Local Languages
and Technical Support:
www.panduit.com/resources/install_maintain.asp

PANDUIT
www.panduit.com

E-mail:
techsupport@panduit.com
Phone:
866-405-6654