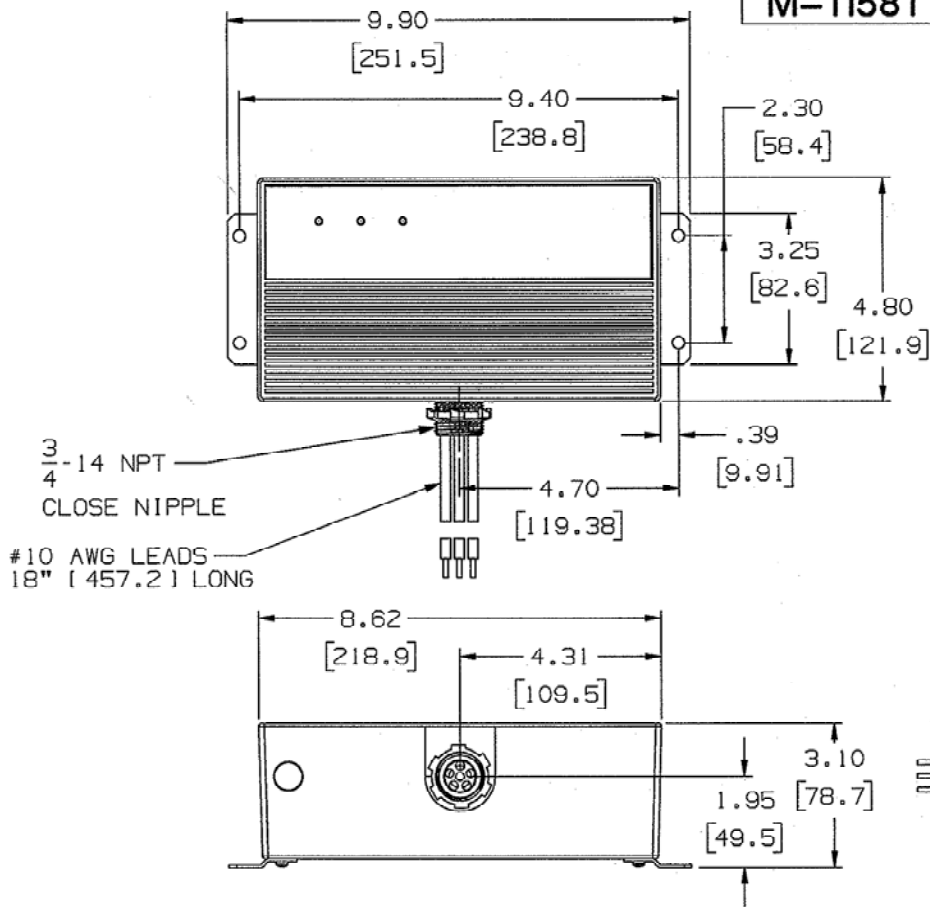


M-11581 1

- NOTES: (UNLESS OTHERWISE SPECIFIED)  
 1) .XX TOLERANCES TO BE ±.03  
 2) DIMENSIONS ARE IN INCHES [ mm ]  
 3) MAX SURGE CURRENT = 100kA  
 I<sub>nom</sub> = 20kA  
 SCCR = 200kA



CATALOG NO.	VOLTAGE	CONFIGURATION
HBL3W100C	120/240V	1 PH WYE+G
HBL4W100C	120/208V	3 PH WYE+G
HBL5W100C	240V	3 PH DELTA
HBL6W100C	240/120V	3 PH DELTA+G (HIGH LEG)
HBL8W100C	277/480V	3 PH WYE+G
HBL9W100C	480V	3 PH DELTA
HBL10W100C	347/600V	3 PH WYE+G
HBL11W100C	600V	3 PH DELTA

DIMENSIONS ARE IN INCHES [ mm ]

LIST OF PARTS

DESCRIPTION	MATERIAL	FINISH

SYMBOL	REVISIONS	APP	DATE
1	INITIAL RELEASE PER DCN 18586 RCM	SML	4/19/10

SYMBOL	REVISIONS	APP	DATE

THE DESIGN AND DIMENSIONS OF THE PRODUCT SHOWN ON THIS DRAWING ARE SUBJECT TO CHANGE WITHOUT NOTICE.

TITLE  
SURGE PROTECTION DEVICE  
TYPE 2, 100kA,  
NEMA 4X ENCLOSURE

TOLERANCES UNLESS OTHERWISE SPECIFIED	WIRING DEVICE-KELLEMS HUBBELL INCORPORATED BRIDGEPORT, CT	
	DR. BY RCM	APP. BY SML
FRACTIONS 1/64	TR. BY	SCALE 1/2
DECIMALS ±.005	CHK'D BY SML	DATE 4/19/10
ANGLES ±2°		

DIMENSION SHEET FOR CAT. NO. M-11581 REPAIRABLE  NON-REPAIRABLE  B M-11581 1