



Optanium T8 Instant Start

OPTANIUM ELE BALLAST (1) F32T8 120-277V

Reliable and energy efficient Philips Advance's Centium commercial grade specifications, plus added benefits of lamp striation reduction technology.

Product data

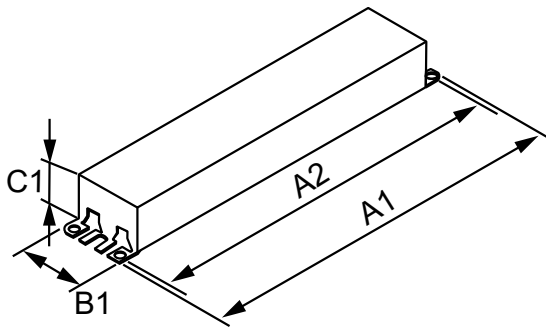
| General Information | | Wiring | |
|-------------------------------|------------------------|--|--------------------------|
| Lamp Type | F32T8 | Color Input Terminals | No terminals |
| Number of Lamps | 1 piece/unit | Color Output Terminals | No terminals |
| Ballast Type | Electronic Fluorescent | Wire Striplength | 0.50/0.375 mm |
| Base Model | IOP1P32N | Lamp Connection | Parallel |
| Suitable For Outdoor Use | Yes | Wire Length by Color | See data sheet |
| Automatic Restart | Yes | Wire Gauge (Nom) | 18AWG mm |
| | | Wire Type | Solid |
| Operating and Electrical | | Remote Wiring Configuration Allowed | Yes |
| Input Voltage | 120 to 277 V | Tandem Wiring Configuration Allowed | No |
| Input Frequency | 50 to 60 Hz | Through Wiring Configuration Allowed | No |
| Total Harmonic Distortion USA | 10 % | Max Ballast-Lamp Distance Remote Wiring | ES = 6' / Standard = 20' |
| Ignition Method | Instant Start | Max Ballast-Lamp Distance Tandem Wiring | NA |
| Crestfactor (Nom) | 1.6 | Max Ballast-Lamp Distance Through Wiring | NA |
| Ignition Time (Nom) | 0.1 s | Connector Type | No connector |
| Ballast Factor (Nom) | 0.88 | | |
| Power Factor (Nom) | 0.98 | Temperature | |
| Input Current (Max) | 0.21 A | T-Case Maximum (Nom) | 70 °C |
| Input Current (Min) | 0.11 A | | |
| Input Power (Nom) | 25-28 W | Mechanical and Housing | |
| Rated Lamp Power | 32 W | Housing Material | Metal |
| | | Housing | N |

Optanium T8 Instant Start

| | |
|---------------------------------|--|
| Housing Dimensions | 9.5" x 1.3" x 1.0" |
| Approval and Application | |
| EMC Immunity Standard | FCC Non-Consumer |
| Approval Marks | CSA certificate UL certificate CEC Listing CEE Rated NEMA Premium RoHS Compliant |
| Hum And Noise Level | A |
| UL Recognized | No |
| Product Data | |
| Order product name | OPTANIUM ELE BALLAST (1) F32T8 120-277V |

| | |
|---------------------------------|--------------|
| EAN/UPC - Product | 781087125052 |
| Order code | 913701246401 |
| Numerator - Quantity Per Pack | 1 |
| Numerator - Packs per outer box | 10 |
| Material Nr. (12NC) | 913701246401 |
| Net Weight (Piece) | 0.350 kg |

Dimensional drawing



ELE BALLAST (1) F32T8 120-277V

| Product | A1 | A2 | B1 | C1 |
|---|---------|---------|---------|---------|
| OPTANIUM ELE BALLAST (1) F32T8 120-277V | 9.50 in | 8.90 in | 1.30 in | 1.00 in |

