

Floor Boxes

Above-Floor Service Fittings

Large 2-Gang Capacity (Front & Back)

Features

- Single Service Pedestals
- Each Gang Includes Ground Screws
- 1" Threaded Hub
- Uses Standard Single Gang Stainless Steel Wallplates
- Base Includes Anti-Rotational Locking Screw

Ordering Information

Description	Style	UPC Number	Catalog Number
Pedestal	2-Gang	783585546490	SA6686G

Listings

cULus
232A

Specifications

Material	Aluminum
Finish	Brushed
Threaded Hub Size	1" N.P.S.M
Overall Height	5.62" (142.7)
Width	2.88" (73.2)
Depth	2.50" (63.5)

Performance

Cubic Inch Capacity- in ³ (cm ³)	25.9 (424.4)
Device Spacing	Single Gang
Round Aluminum Floorbox Cover	SA2725
Wallplates	SS8, SS26, SS7, SS720, SS14

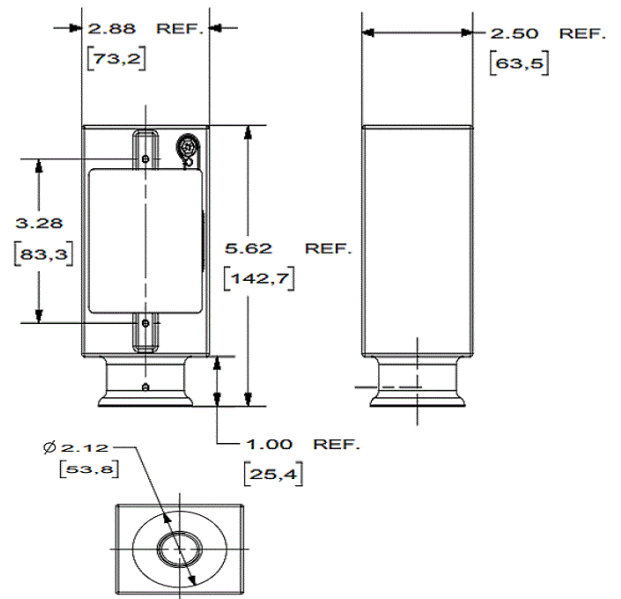
Complementary Products

Round Brass Floorbox Cover	S2725
Rectangular Aluminum Floorbox Cover	SA2625
Round Brass Floorbox Cover	S2625

Online Resources

Customer Use Drawing
eCatalog
Installation Instructions

HUBBELL



Dimensions in Inches (mm)

Hubbell Wiring Device-Kellems • Hubbell Incorporated (Delaware) • 40 Waterview Drive • Shelton, CT 06484

Phone (800) 288-6000 • Fax (800) 255-1031 • Specifications subject to change without notice.

