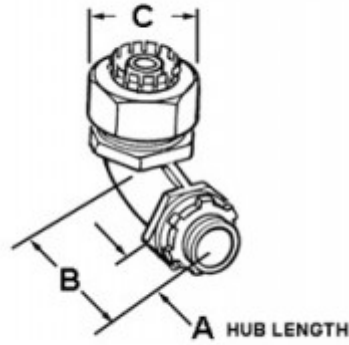


Connector, Liquid Tight, Die Cast Zinc, Insulated Throat, Size 3 Inch

90 Degree connector for use with metallic and nonmetallic "Type B" liquid tight conduit. 1" and up cast zinc. Insulator rated 105 degree C. Liquidtight connectors are suitable for use in Class I, Div 2; Class II, Div 1 and 2; and Class III, Div 1 and 2 hazardous locations.

[Download Photo](#)[Download Drawing](#)

Product details

Catalog Number:	477-LTI2
UPC Number:	781747164773
Finish:	Zinc electro-plate
Trade Size:	3"
Standard Package Quantity:	1

Dimensions

Trade Size:	3"
Dimensions A:	1-1/8
Dimensions B:	4
Dimensions C:	4-5/8

Certifications & Codes

Federal Specification Number: A-A-50552**UL File Number:** E9391**CSA File Number:** LR39354**UNSPSC:** 39121420**Nema Standard:** FB-1**UL Standard:** UL-514B