

## Beam Clamps and Hanger Rod Supports

### E-231 Structural Steel Clamp (3/8" or 1/2" Rod)

- Clamps to I-beams, channels, angles and columns
- Two sizes are available, one for 3/8" and the other for 1/2" hanger rod
- Each takes flanges up to .8"



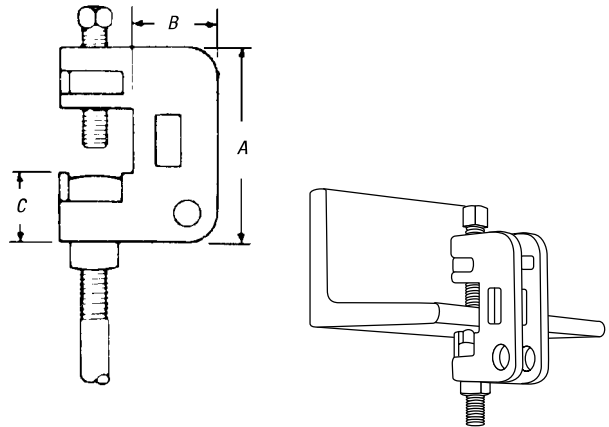
CAT. NO.	DIMENSIONS (IN.)			WT. LBS./C	DESIGN LOADS LBS.
	A	B	C		
E-231-3/8*	2½	1	7/8	31	25
E-231-1/2**	3	1½	1¼	53	15

Assembly requires two H-116-C (3/8") or two H-116-D (1/2") square nuts to attach hanger rod. 1/8" steel.

\* Load rating of 500 lbs. with a safety factor of 3.

\*\* Load rating of 800 lbs. with a safety factor of 3.

Galv-Krom® finish.



### E-232 Clamp with Swing Connector (3/8" or 1/2" Rod)

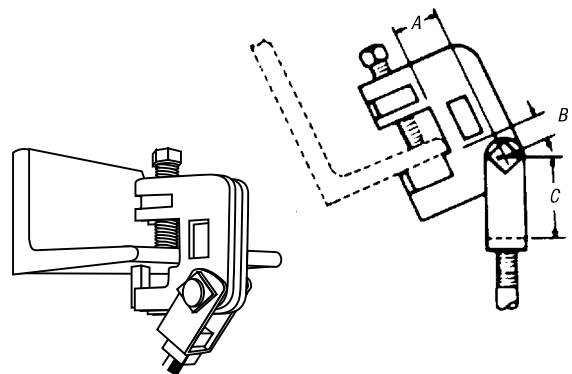


CAT. NO.	DIAMETER FOR ROD (IN.)	DIMENSIONS (IN.)			WT. LBS./C	DESIGN LOADS LBS.
		A	B	C		
E-232-3/8*	3/8	9/16	7/16	1	48	25
E-232-1/2**	1/2	7/8	29/64	1½	76	15

\* Load rating of 400 lbs. with a safety factor of 3.

\*\* Load rating of 550 lbs. with a safety factor of 3.

Galv-Krom® finish.



E-232 clamp with swing connector affords a convenient method of attaching to angled beams.

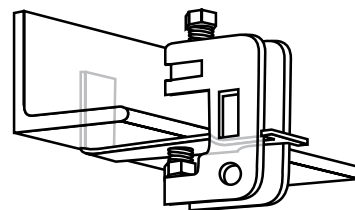
### E-233 Anchor Clip

- Anchor clips should be used when clamps are subject to excessive vibration
- To obtain the correct size clips, add 1" to the flange width
- If length required is not standard, order next largest standard length



CAT. NO.	ROD SIZE (IN.)	MAX BEAM WIDTH "A"	FOR USE WITH	WT. LBS./C
E-233-3/8-6	3/8	6	E-231-3/8 or E-232-3/8	20
E-233-3/8-10	3/8	10	E-231-3/8 or E-232-3/8	33
E-233-1/2-6	1/2	6	E-231-1/2 or E-232-1/2	26
E-233-1/2-10	1/2	10	E-231-1/2 or E-232-1/2	37

Galv-Krom® finish.



For use with E-231 and E-232 clamps when hanger rod is not in straight through position.

