



FOR USE WITH PANDUIT T45 SURFACE RACEWAY ROUTING SYSTEMS

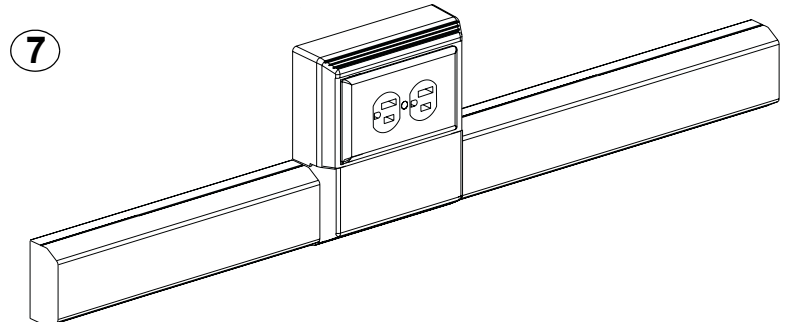
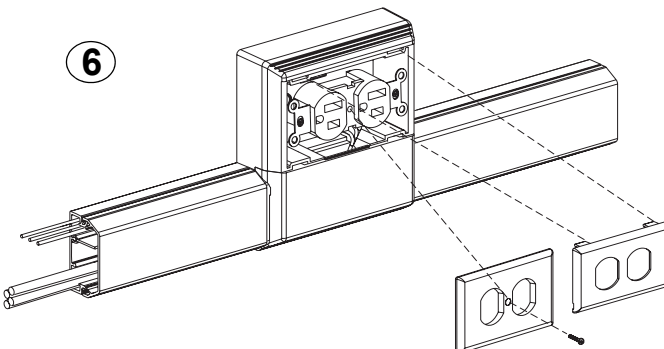
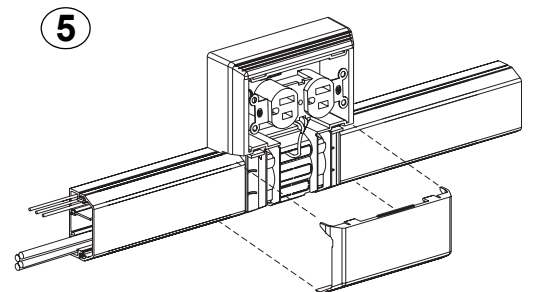
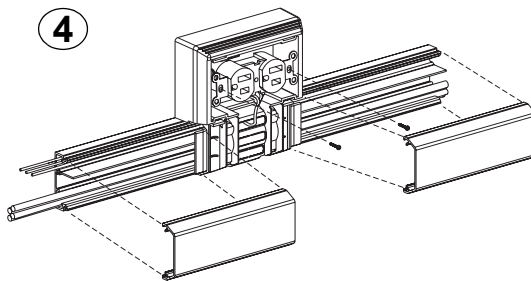
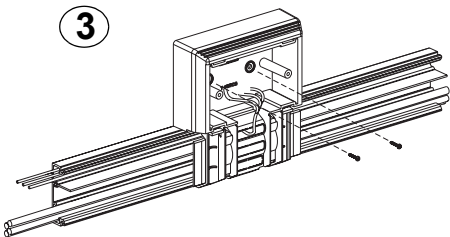
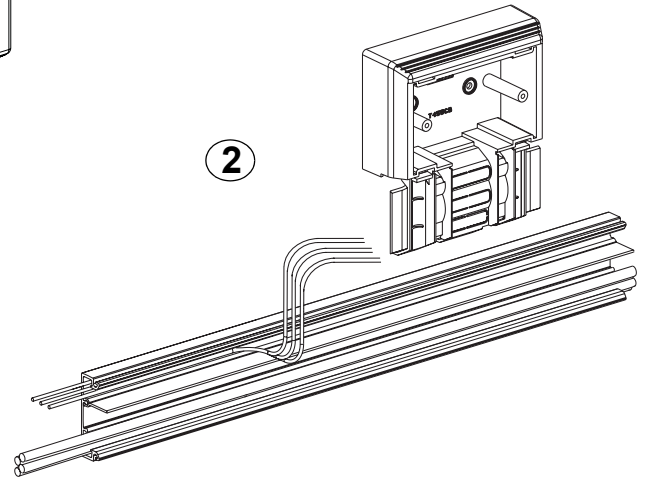
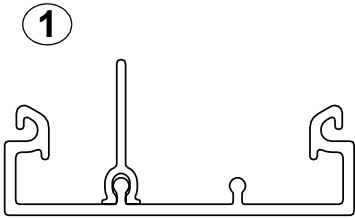
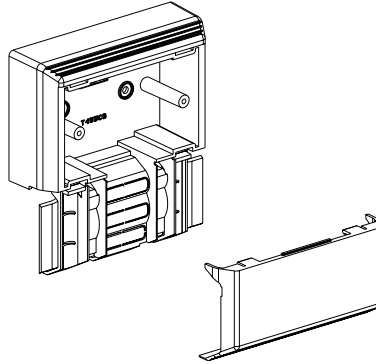
PAN-WAY T45 WORKSTATION OUTLET CENTER

PART NUMBERS: T45WC, T45WC2

INSTALLATION INSTRUCTIONS

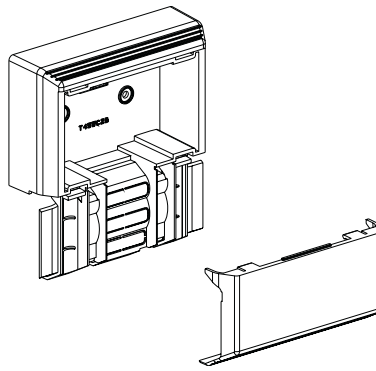
© Panduit Corp. 2006

Printed in USA



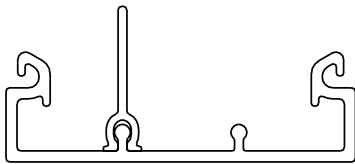
For Technical Assistance call: 800-777-3300

INSTALLATION INSTRUCTIONS

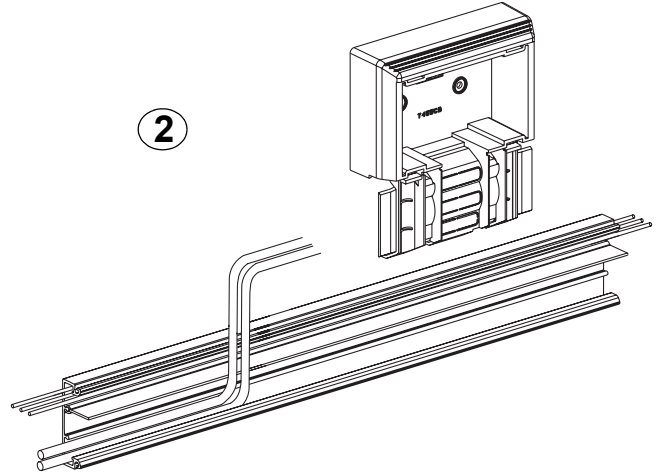


T45WC2

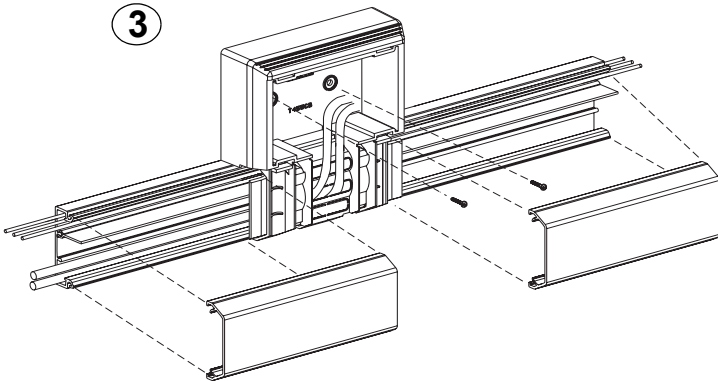
1



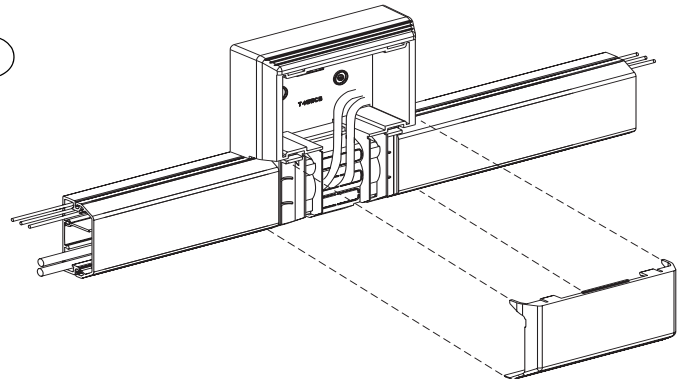
2



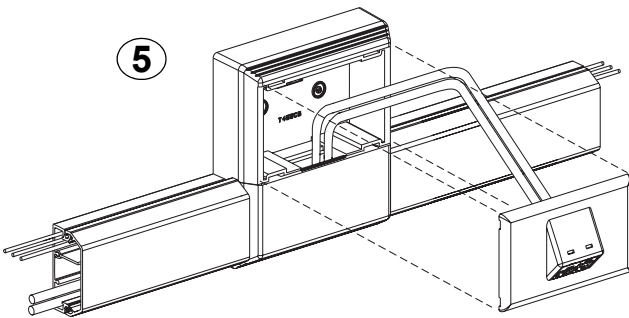
3



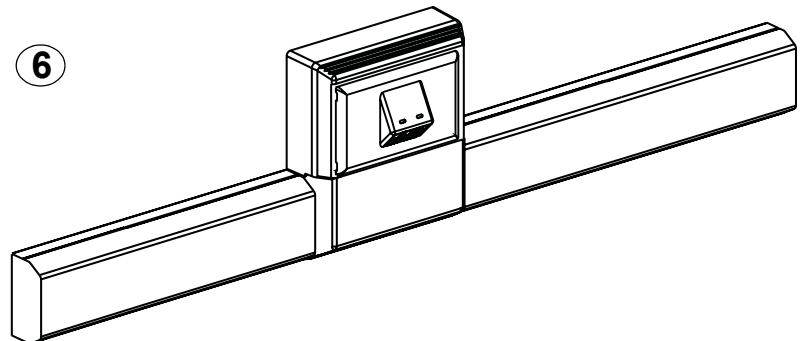
4



5



6



Instruction Sheet RW79B

WORLDWIDE SUBSIDIARIES AND SALES OFFICES

17301 Ridgeland Avenue
Tinley Park, IL 60477-3901
Web Site: www.panduit.com



Fax: 708-532-1811
Technical Support: 800-777-3300
E-mail: cs@panduit.com