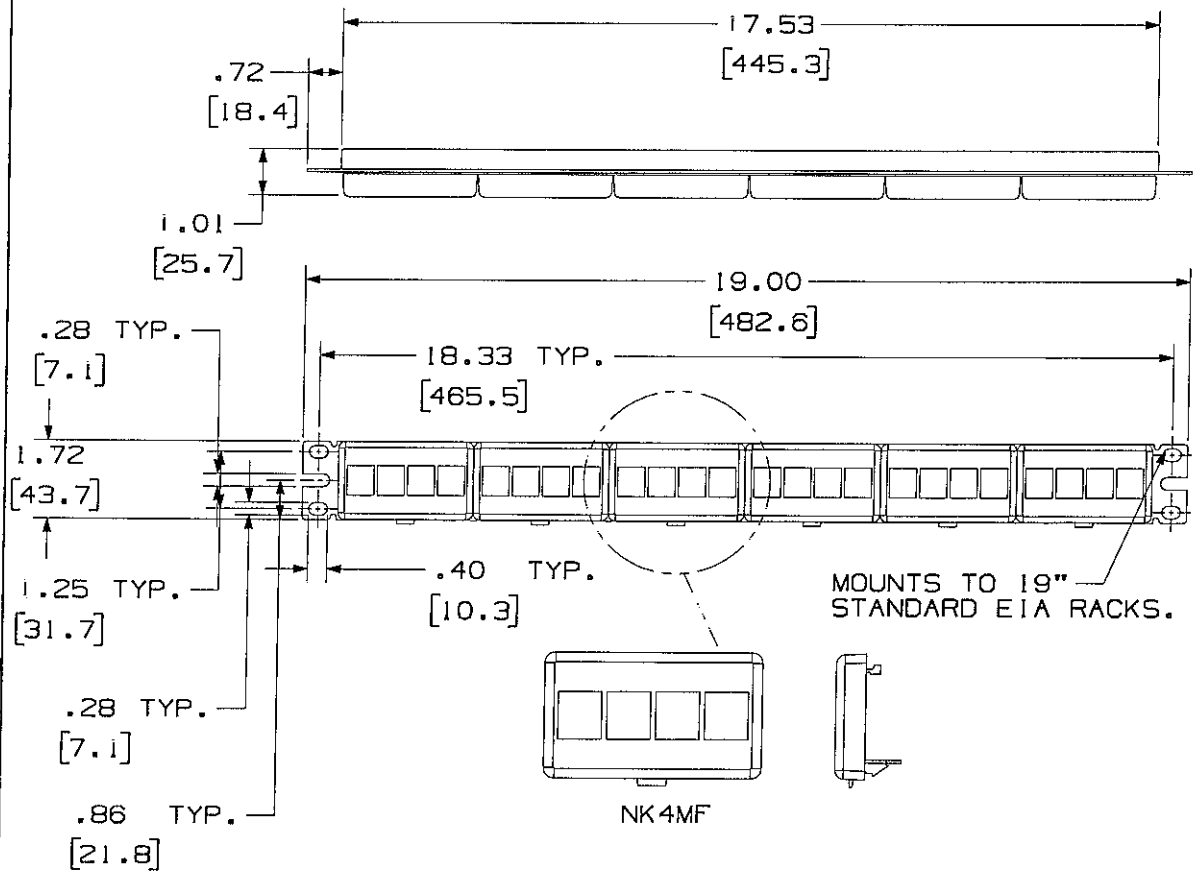


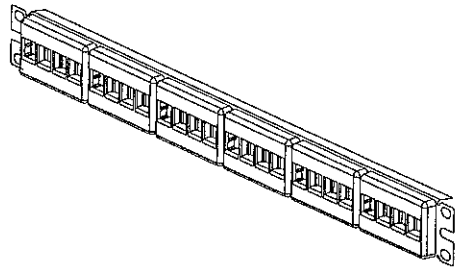
+

THIS COPY IS PROVIDED ON A RESTRICTED BASIS AND IS NOT TO BE USED IN ANY WAY DETRIMENTAL TO THE INTERESTS OF PANDUIT CORP.



PANDUIT PART NO.	WEIGHT
NKFP24Y	7.12 LB/10 PCS (3236 g/10 PCS)

- NOTES:
- SEE CURRENT CATALOG FOR VARIOUS APPLICATIONS WITH THIS WIRING SYSTEM.
  - PATCH PANEL IS DESIGNED FOR MOUNTING TO 19" STANDARD EIA RACKS.
  - PATCH PANELS ACCEPT ALL NETKEY MODULES.
  - DIMENSIONS IN PARENTHESES ARE METRIC.
  - PART INCLUDES:
    - (1) -24 PORT STAMPING
    - (6) -FURNITURE FACEPLATE (ASSEMBLED TO STAMPING)
    - (1) -SCREW KIT (INCLUDES FOUR #12-24 SCREWS)
    - (1) -SCREW KIT (INCLUDES FOUR M6 SCREWS)



NETWORK SYSTEMS  
MAY 25 2006  
ENGINEERING DEPT

DRAWING FILENAME		MO2479DK_DC91_00A.PRT		SIZE	A
NETKEY 24 PORT MODULAR FACEPLATE PATCH PANEL CUSTOMER DRAWING					
PANDUIT® TINLEY PARK, IL 60477		I.I. NUMBER	N/A		
THIRD ANGLE PROJECTION		PRODUCT SPEC	N/A		
ALL DIMENSIONS ARE GIVEN IN INCHES, UNLESS OTHERWISE SPECIFIED. DIMENSIONAL TOLERANCES ARE: (.X) ±.03    (.XXX) ±.005 (.XX) ±.01    ANGLES ± 1°		WORK INSTRUCTION	N/A		
DRAWN BY JsP		SCALE	NONE		
DATE 3-11-06		PART NO.	NKFP24Y		
MATERIAL:		DRAWING NO.	02479-091		

REV	DATE	BY	CHK	DESCRIPTION	ECN	R	CUST	SUP	OTH
R	3-11-06	JsP		RELEASED TO PRODUCTION	02479-091				

+

+