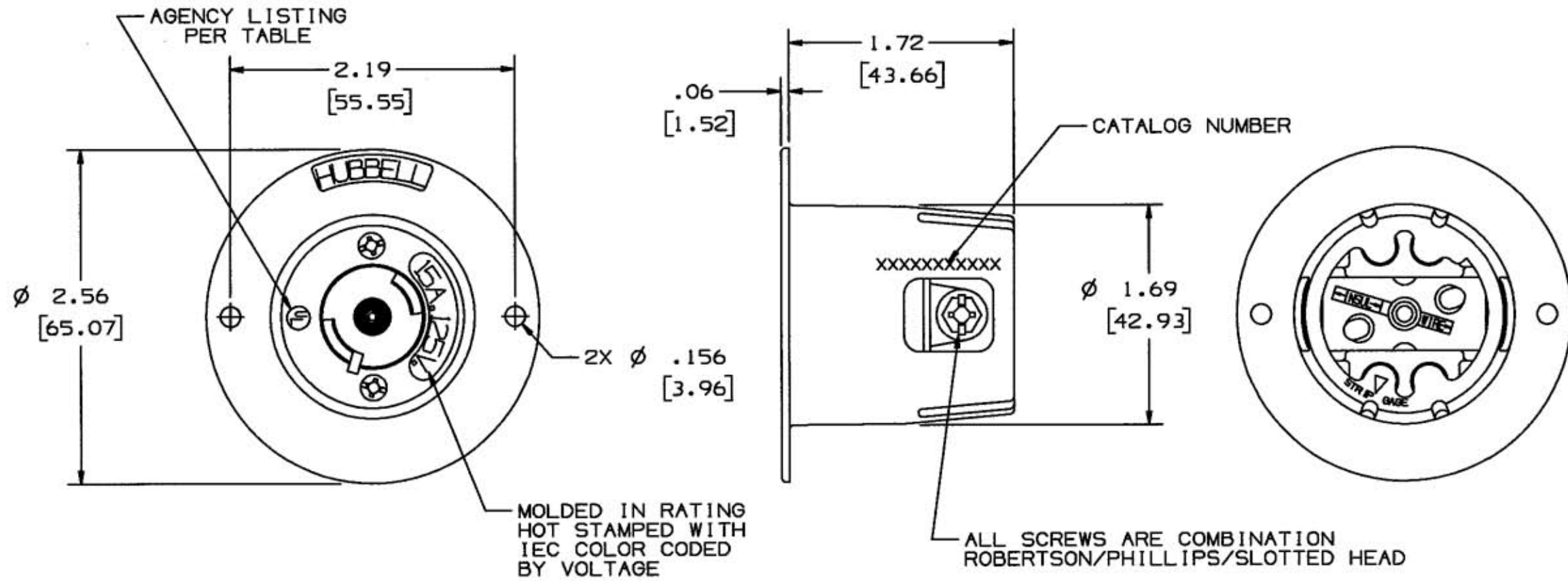




M-7288 4



CAT. NO.	CONFIGURATION	RATING	IEC RATING COLOR	U.L.	C.S.A.
HBL7526C	NEMA L1-15R 	15A. 125V.	YELLOW	YES	NO
HBL8809C	NEMA L2-20R 	20A. 250V.	BLUE	YES	NO

LIST OF PARTS		
DESCRIPTION	MATERIAL	FINISH
BODY	NYLON	NATURAL
RETAINER SHELL	POLYCARBONATE	CLEAR
CASING	NYLON	NATURAL
WIRE CLAMP	.062 CRS	NICKEL PL
BINDING PLATE	.031	
CONTACT SPRING	BRONZE	
INNER SPRING	.031	BRONZE
BINDING SCREW	BRASS	*
TRI-DRIVE MTG. SCREWS	BRASS	NICKEL PL
ASSEM FASTENERS	STEEL	ZINC PL

*WHITE FINISH ON NEUTRAL PARTS

SYM	REVISIONS	APP	DATE
4	REVISED VIEWS & CALLOUTS OF SCREWS TO TRI-DRIVE; IN "LIST OF PARTS": "TRI-DRIVE" WAS "COMBINATION" PER DCN #11421 RCM	DVB	1/27/04
3	IN LIST OF PARTS, "POLYCARBONATE WAS "LEXAN"; PER DCN #8996.	CJC	2/18/02
2	11/2/00 REMOVED "CSA" FROM FRONT VIEW, REMOVED "CAUTION" INFO FROM SIDE VIEW. IN TABLE, C.S.A. WAS "YES" PER DCN B100 SPN	ZIMM	11/16/00
1	"X" REMOVED PER DCN #3255 JMN	ZIMM	2/14/95

THE DESIGN AND DIMENSIONS OF THE PRODUCT SHOWN ON THIS DRAWING ARE SUBJECT TO CHANGE WITHOUT NOTICE

TITLE INSULGRIP Ⓢ
2 POLE 2 WIRE
NON-GROUNDING
TWIST-LOCK Ⓢ
FLANGED OUTLETS

TOLERANCES UNLESS OTHERWISE SPECIFIED	WIRING DEVICE-KELLEMS HUBBELL INCORPORATED BRIDGEPORT, CT	
FRACTIONS ±1/64	DR. BY JMN	APP. BY ZIMM
DECIMALS ±.005	TR. BY	SCALE $\frac{1}{2}$
ANGLES ±2°	CHK'D BY ZIMM	DATE 2/14/95