

A Pentair Company

**3R Horizontal-Mount Enclosure**  
**Boîtier Horizontal de 3R Mount**  
**Caja Horizontal de 3R Mount**

**Hoffman Enclosures Inc.**  
 2100 Hoffman Way  
 Anoka, MN 55303-1745  
 (763) 422-2211  
[www.hoffmanonline.com](http://www.hoffmanonline.com)

**Pentair Electronic Packaging**  
 170 Commerce Drive  
 Warwick, RI 02886  
 (401) 732-3770  
[www.pentair-ep.com](http://www.pentair-ep.com)

**Mexico**  
 Hoffman Enclosures Mexico  
 Federico T. de la Chica No. 8 Piso 4 A  
 Circuito Comercial Plaza Satélite  
 Ciudad Satélite,  
 Naucalpan, México C.P. 53100  
 011-52-55-5393-8263

**Canada**  
 Hoffman-Schroff  
 111 Grangeway Avenue, Suite 504  
 Scarborough, Ontario M1H 3E9  
 (416) 289-2770  
 1-800-668-2500 (Canada only)

**Germany**  
 Schroff GmbH  
 Langenlaiber Str. 96-100  
 75334 Straubenhardt  
 49 (07082) 794-0 [www.schroff.de](http://www.schroff.de)

**Great Britain**  
 Schroff UK Ltd.  
 Maylands Avenue  
 Hemel Hempstead, Herts HP2 7DE  
 44 (01442) 240471 [www.schroff.co.uk](http://www.schroff.co.uk)

**Sweden**  
 Schroff Scandinavia AB  
 Box 2003  
 12821 Skarpnäck  
 46 08683 61 00 [www.schroff.se](http://www.schroff.se)

**France**  
 Schroff Sas  
 Z.I., 4 rue du Marais  
 67660 Betschdorf  
 33 03 88 90 64 90 [www.schroff.fr](http://www.schroff.fr)

**Italy**  
 Schroff srl  
 Viale Milano, 119  
 21013 Gallarate (Varese)  
 39 0331 79 40 03

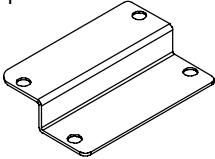
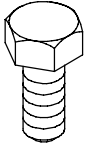

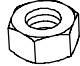
**Singapore**  
 Hoffman-Schroff Pte. Ltd.  
 #01-68/71 German Centre  
 25 International Business Park  
 Singapore 609916  
 65 5 62-78 90

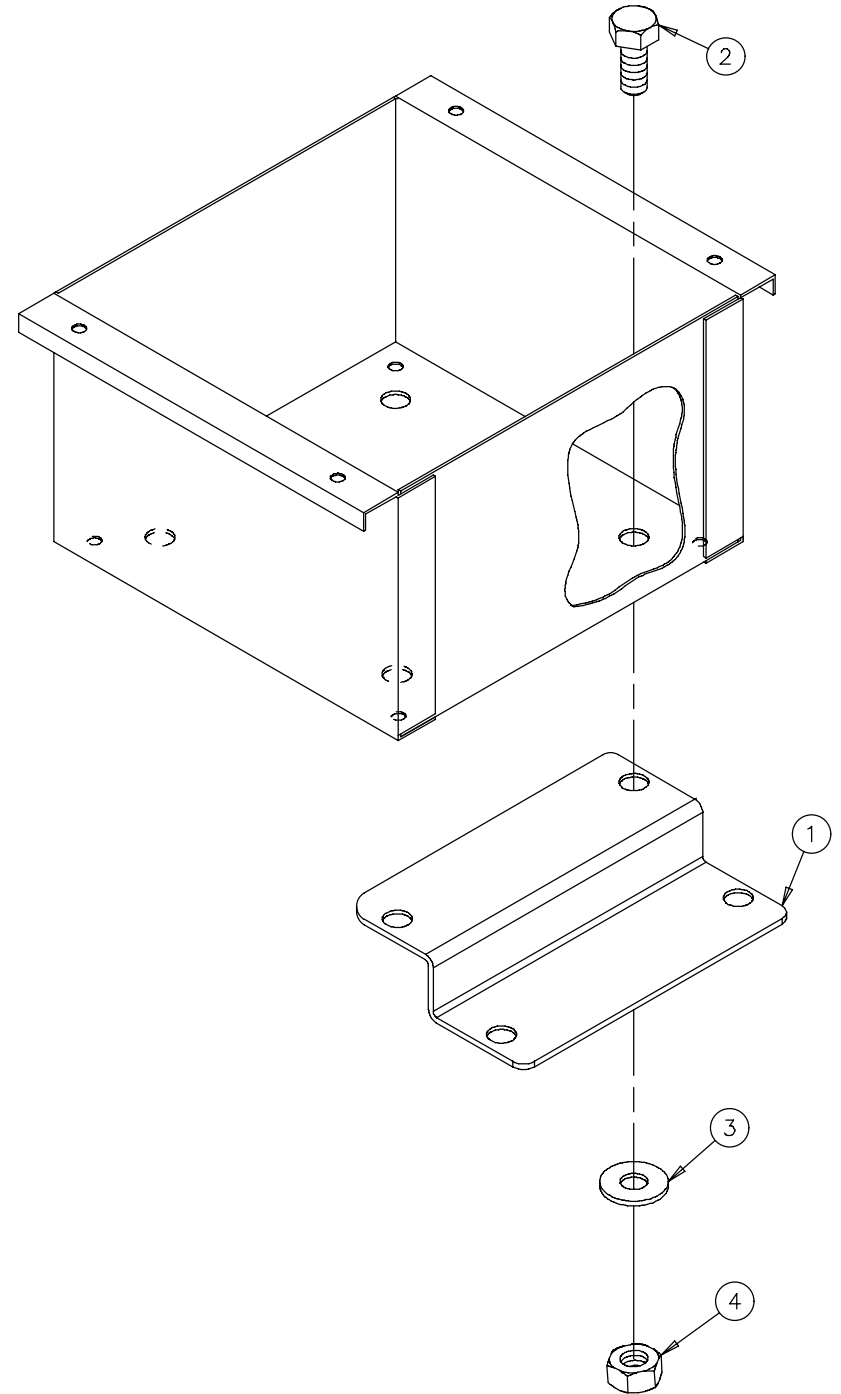
**Japan**  
 Schroff K.K.  
 Nisso No. 13 Bldg. 4F  
 2-5-1 Shinyokohama  
 Kohoku-Ku, Yokohama shi  
 Kanagawa 222-0033  
 81 (045) 476-02 81

**Finland**  
 Schroff Scandinavia AB  
 Peräsimentie 8  
 03100 Nummela  
 358 09 222 88 00

**Norway**  
 Schroff Scandinavia AB  
 Bjoernerudveien 24  
 1266 Oslo  
 47 022 76 33 60

Rev. B 115448

 1 (2x)	 2 5/16-18x.50 (4x)
 3 5/16 (4x)	 4 5/16-18 (4x)



**NOTE:** In order to maintain the 3R Type rating, this enclosure must be mounted horizontally.

**REMARQUE :** Afin de maintenir l'estimation de 3R Type, ce boîtier doit être monté horizontalement.

**NOTA:** Para mantener el grado del Tipo 3R, esta caja se debe montar horizontalmente.