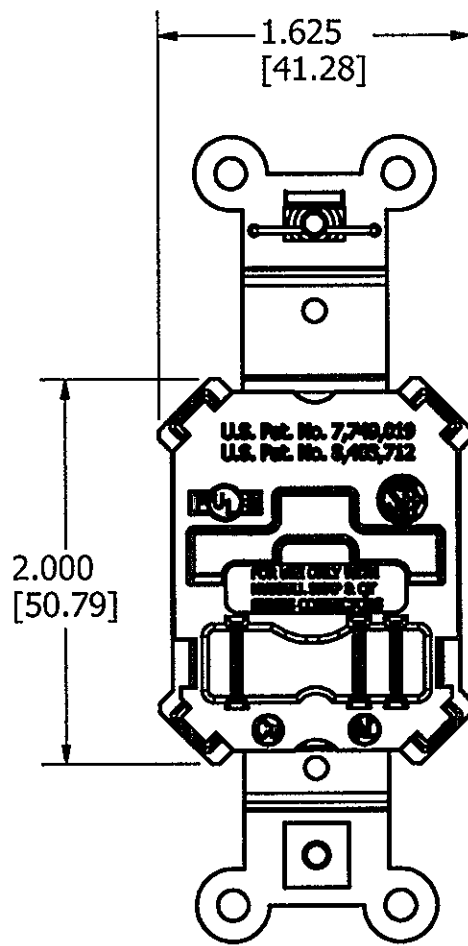
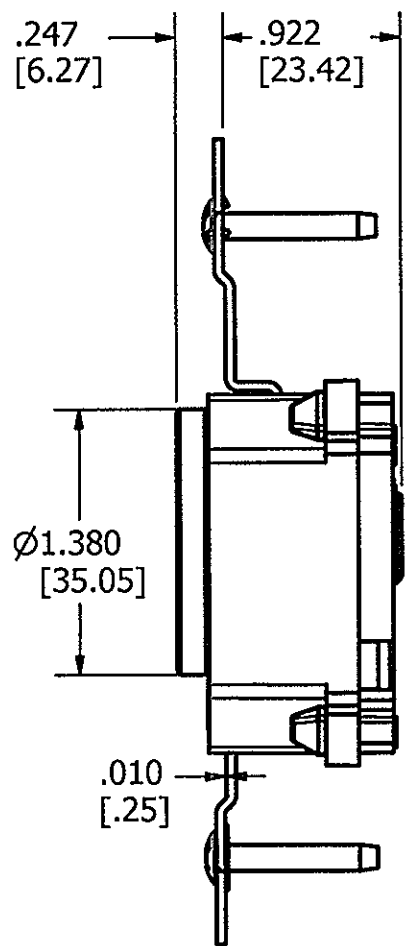
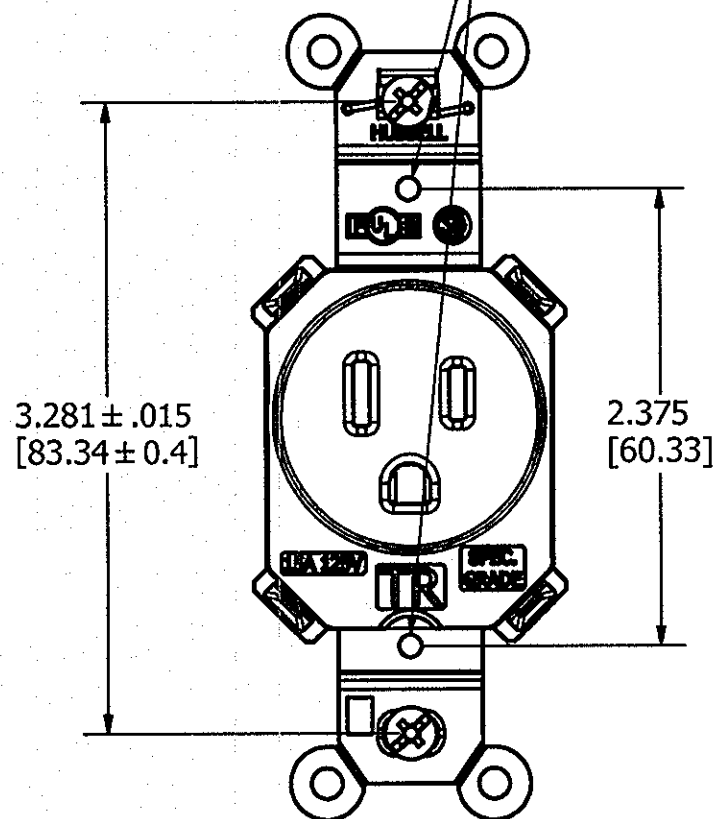


M-13071

1

6-32 UNC TAPPED HOLES FOR WALL PLATE SCREWS



SHOWN 15A RECEPTACLE

RATING	BROWN	IVORY	GRAY	WHITE	BLACK	ALMOND	LIGHT ALMOND	RED	BLUE
15A	SNAP5261TR	SNAP5261ITR	SNAP5261GYTR	SNAP5261WTR	SNAP5261BKTR	SNAP5261ALTR	SNAP5261LATR	SNAP5261RTR	SNAP5261BLTR
20A	SNAP5361TR	SNAP5361ITR	SNAP5361GYTR	SNAP5361WTR	SNAP5361BKTR	SNAP5361ALTR	SNAP5361LATR	SNAP5361RTR	SNAP5361BLTR

NOTES:
 1. DIMENSIONS ARE IN INCHES [MM].
 2. ALL DEVICES UL LISTED AND CSA CERTIFIED.

LIST OF PARTS

DESCRIPTION	MATERIAL	FINISH
TOP	NYLON 6/6	SPI A-3
BASE	NYLON 6/6	SPI A-3
LINE CONTACTS	BRASS	
GROUND CONTACT	BRASS	
BRIDGE	.04 GALV STL	
STAPLE	S.S.	
WASHER	PVC FILM	BLACK
MOUNTING SCREWS	STEEL	ZINC PLT

DIMENSION SHEET FOR CAT. NO.

SEE TABLE

REPAIRABLE

NON-REPAIRABLE

1	RELEASED PER DCN21263 EB <i>EB</i>	TLS	07/06/15
SYM	DESCRIPTION	APPRO	DATE

THE DESIGN AND DIMENSIONS OF THE PRODUCT SHOWN ON THIS DRAWING ARE SUBJECT TO CHANGE WITHOUT NOTICE

TITLE
 SINGLE SNAP CONNECT RECEPTACLE, 15/20A 125V SPEC. GRADE, TR

TOLERANCES UNLESS OTHERWISE SPECIFIED	WIRING DEVICE-KELLEMS HUBBELL INCORPORATED SHELTON, CT	
FRACTIONS ±1/64	DR. BY <i>ebazayev</i>	APP. BY TLS
DECIMALS ±.005	TR. BY	SCALE 1:1
ANGLES ±2°	CHK'D BY TLS	DATE 7/6/2015

B

M-13071

1