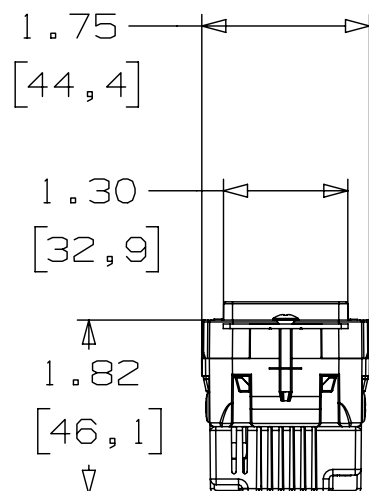
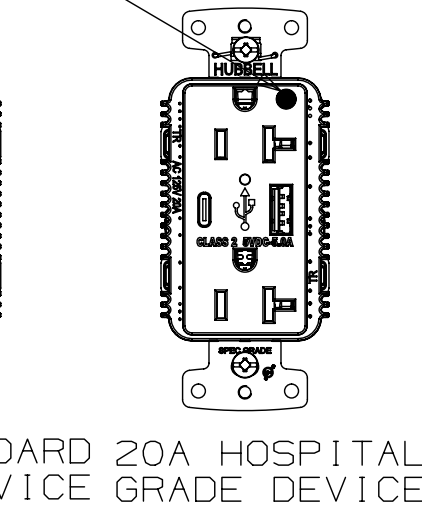
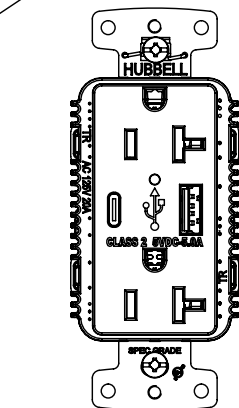
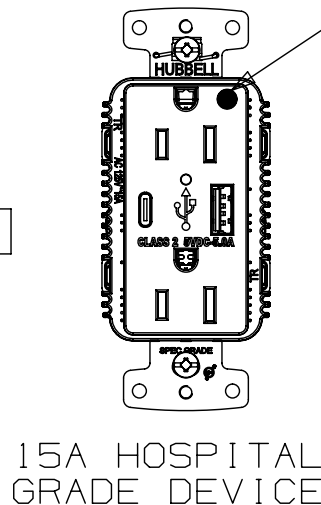
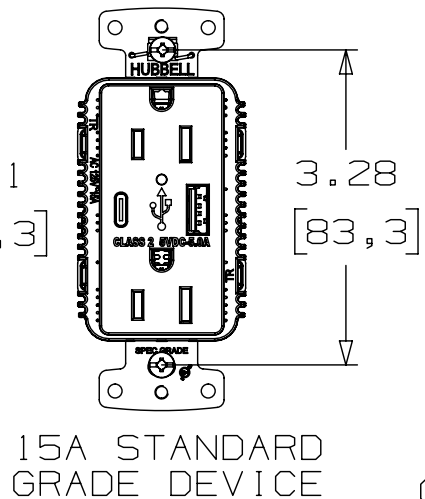
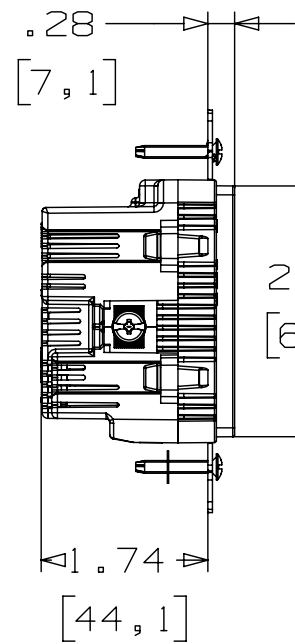
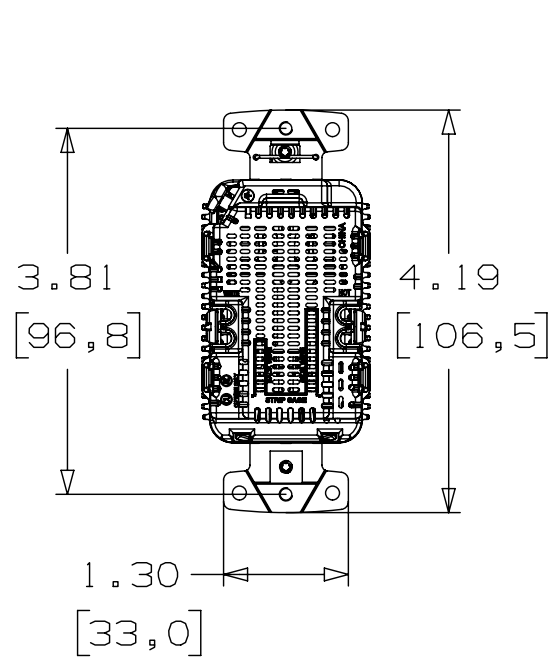


M13051 3



CATALOG	COLOR	DESCRIPTION	RATING
USB15AC5	BROWN	15Amp 125VAC DUPLEX TR RECEPTACLE W/ USB 5A 5VDC TYPE A & C CHARGING PORTS	15A 125VAC
USB15AC5I	IVORY		
USB15AC5W	WHITE		
USB15AC5LA	LIGHT ALMOND		
USB15AC5GY	GRAY		
USB15AC5BK	BLACK	15Amp 125VAC HOSPITAL GRADE DUPLEX TR RECEPTACLE W/ USB 5A 5VDC TYPE A & C CHARGING PORTS	15A 125VAC
USB15AC5R	RED		
USB8200AC5	BROWN		
USB8200AC5I	IVORY		
USB8200AC5W	WHITE		
USB8200AC5LA	LIGHT ALMOND	20Amp 125VAC DUPLEX TR RECEPTACLE W/ USB 5A 5VDC TYPE A & C CHARGING PORTS	20A 125VAC
USB8200AC5GY	GRAY		
USB8200AC5BK	BLACK		
USB8200AC5R	RED		
USB20AC5	BROWN		
USB20AC5I	IVORY	20Amp 125VAC HOSPITAL GRADE DUPLEX TR RECEPTACLE W/ USB 5A 5VDC TYPE A & C CHARGING PORTS	20A 125VAC
USB20AC5W	WHITE		
USB20AC5LA	LIGHT ALMOND		
USB20AC5GY	GRAY		
USB20AC5BK	BLACK		
USB8300AC5	BROWN	20Amp 125VAC HOSPITAL GRADE DUPLEX TR RECEPTACLE W/ USB 5A 5VDC TYPE A & C CHARGING PORTS	20A 125VAC
USB8300AC5I	IVORY		
USB8300AC5W	WHITE		
USB8300AC5LA	LIGHT ALMOND		
USB8300AC5GY	GRAY		
USB8300AC5BK	BLACK		
USB8300AC5R	RED		

NOTES:
 1. ALL DIMENSIONS ARE IN INCHES [mm].
 2. RATING/TYPE:
 RECEPTACLE: SEE TABLE.
 USB PORT: (1) TYPE A & (1) TYPE C
 USB PORT CHARGER OUTPUT: 5VDC 5.0A MAX.

LIST OF PARTS

DESCRIPTION	MATERIAL	FINISH
COVER	THERMOPLASTIC	COLOR PER CAT.#
BASE	THERMOPLASTIC	BLACK
TR SHUTTER	THERMOPLASTIC	
STRAP	GALV. STEEL	
MOUNTING SCREW	STEEL	ZN PLATE
TERMINALS	COPPER ALLOY	
GROUND SCREW	STEEL	ZN PLATE + GREEN DYE
TERMINAL SCREW (HOT)	STEEL	BRASS PLATE
TERMINAL SCREW (NEUTRAL)	STEEL	NICKEL PLATE

DIMENSION SHEET FOR CAT. NO.

SEE TABLE

REPAIRABLE

NON-REPAIRABLE

B

M-13051 3

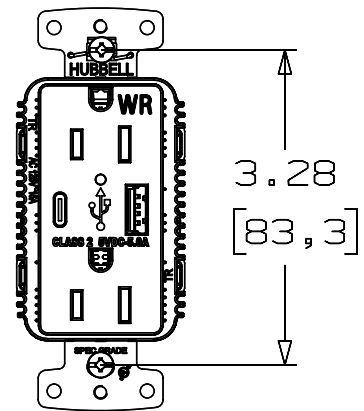
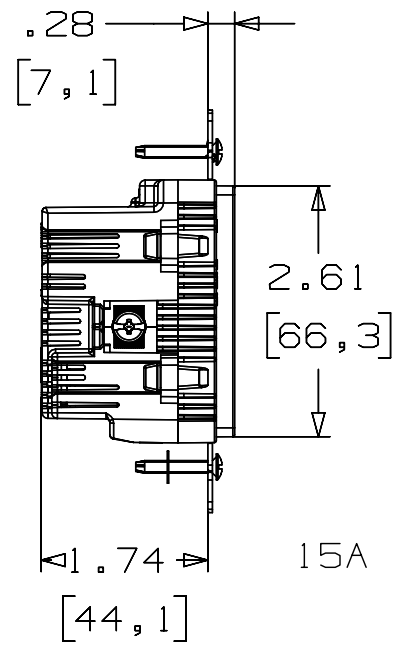
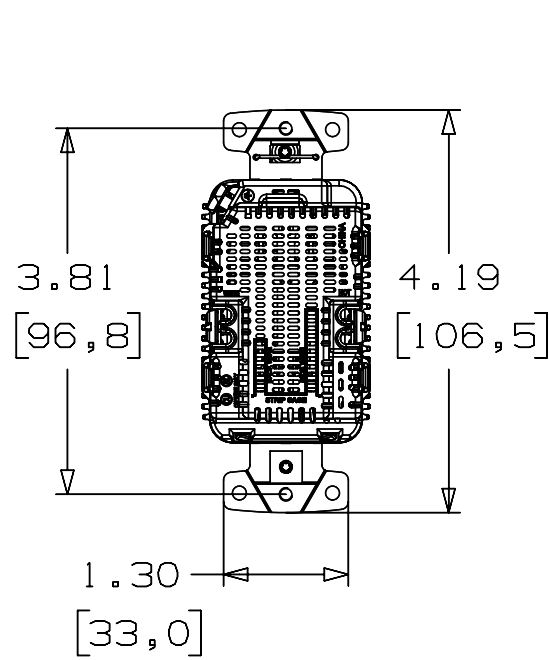
SYM	REVISIONS	APP	DATE
3	IN SHEET 2 UPDATED STRAP MATERIAL. PER DCN #23481	EMD	12/7/17
2	ADDED SHEET 2.WR RECEPTACLES. PER DCN #23398	EMD	11/7/17
1	NEW RELEASE PER DCN #21591.	D.LI	5/13/16

THE DESIGN AND DIMENSIONS OF THE PRODUCT SHOWN ON THIS DRAWING ARE SUBJECT TO CHANGE WITHOUT NOTICE

TITLE
 HUBBELL TR DUPLEX RECEPTACLE W/ 5AMP TYPE A & C USB CHARGER

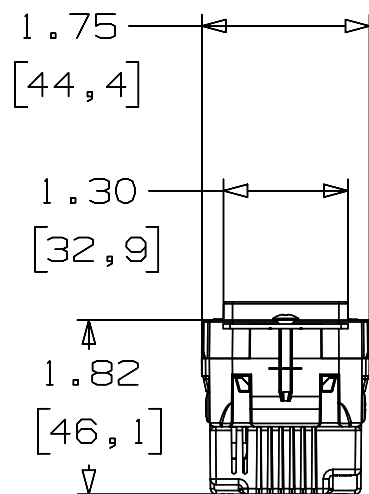
TOLERANCES UNLESS OTHERWISE SPECIFIED	WIRING DEVICE-KELLEMS HUBBELL INCORPORATED SHELTON, CT	
.XX = ±.01	DR. BY NH	APP. BY SM
.XXX = ±.005	TR. BY DL	SCALE 1:2
ANGLES = ±2°	CHK. BY	DATE 6/30/15

M13051 3



15A WEATHER RESISTANT (WR) DEVICE

20A WEATHER RESISTANT (WR) DEVICE



NOTES:
 1. ALL DIMENSIONS ARE IN INCHES [mm].
 2. RATING/TYPE:
 RECEPTACLE: SEE TABLE.
 USB PORT: (1) TYPE A & (1) TYPE C
 USB PORT CHARGER OUTPUT: 5VDC 5.0A MAX.

CATALOG	COLOR	DESCRIPTION	RATING
USB15AC5WR	BROWN	15Amp 125VAC DUPLEX WRTR RECEPTACLE W/ USB 5A 5VDC TYPE A & C CHARGING PORTS	15A 125VAC
USB15AC5IWR	IVORY		
USB15AC5WWR	WHITE		
USB15AC5LAWR	LIGHT ALMOND		
USB15AC5GYWR	GRAY		
USB15AC5BKWR	BLACK		
USB15AC5RWR	RED	20Amp 125VAC DUPLEX WRTR RECEPTACLE W/ USB 5A 5VDC TYPE A & C CHARGING PORTS	20A 125VAC
USB20AC5WR	BROWN		
USB20AC5IWR	IVORY		
USB20AC5WWR	WHITE		
USB20AC5LAWR	LIGHT ALMOND		
USB20AC5GYWR	GRAY		
USB20AC5BKWR	BLACK		
USB20AC5RWR	RED		

LIST OF PARTS		
DESCRIPTION	MATERIAL	FINISH
COVER	THERMOPLASTIC	COLOR PER CAT.#
BASE	THERMOPLASTIC	BLACK
TR SHUTTER	THERMOPLASTIC	
STRAP	COPPER ALLOY	
MOUNTING SCREW	ST. STEEL	
TERMINALS	COPPER ALLOY	
GROUND SCREW	ST. STEEL	GREEN DIE
TERMINAL SCREW (HOT)	ST. STEEL	
TERMINAL SCREW (NEUTRAL)	ST. STEEL	

REVISIONS	APP	DATE
3	EMD	12/7/17
2	EMD	11/7/17
1	D.LI	5/13/16

SYM	REVISIONS	APP	DATE

THE DESIGN AND DIMENSIONS OF THE PRODUCT SHOWN ON THIS DRAWING ARE SUBJECT TO CHANGE WITHOUT NOTICE

TITLE
 HUBBELL TR DUPLEX RECEPTACLE W/ 5AMP TYPE A & C USB CHARGER

TOLERANCES UNLESS OTHERWISE SPECIFIED	WIRING DEVICE-KELLEMS HUBBELL INCORPORATED SHELTON, CT	
.XX = ± .01	DR. BY NH	APP. BY SM
.XXX = ± .005	TR. BY DL	SCALE 1:2
ANGLES = ± 2°	CHK. BY	DATE 6/30/15

DIMENSION SHEET FOR CAT. NO. SEE TABLE REPAIRABLE NON-REPAIRABLE B M-13051 3