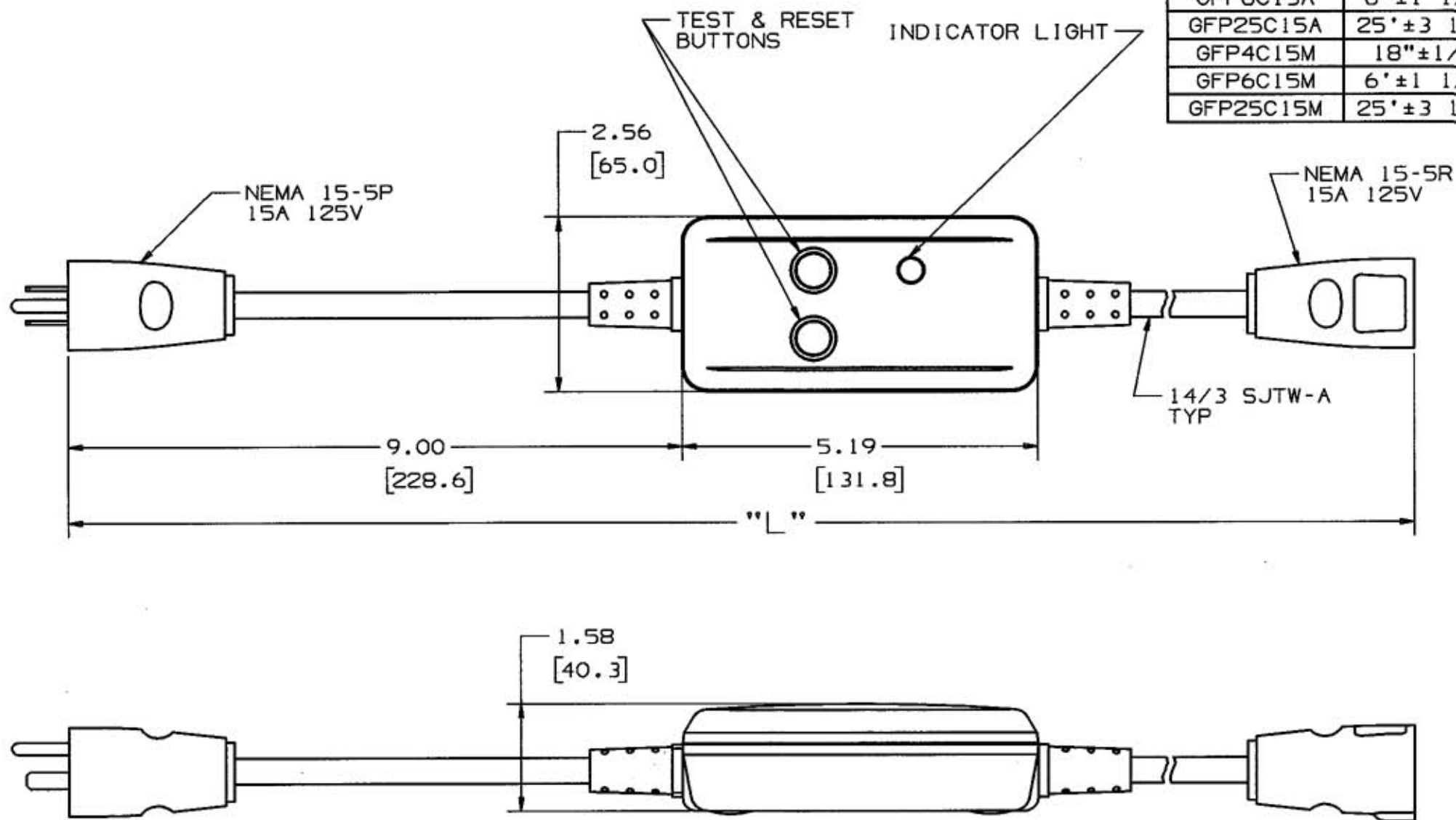


M-71112

CAT. No.	"L"
GFP4C15A	18"±1/2"
GFP6C15A	6"±1 1/2"
GFP25C15A	25"±3 1/2"
GFP4C15M	18"±1/2"
GFP6C15M	6"±1 1/2"
GFP25C15M	25"±3 1/2"



LIST OF PARTS

DESCRIPTION	MATERIAL	FINISH
HOUSING	U.V. STABLE RIGID PVC	
PLUG & CONNECTOR	ELASTOMERIC PVC	
SWITCH BUTTONS	SILICON RUBBER	

DIMENSION SHEET FOR CAT. NO. **M-7111**
 REPAIRABLE NON-REPAIRABLE **B**
 SEE TABLE
2

2	ADDED GFP4C15M, GFP6C15M, GFP25C15M & mm DIMENSIONS, INDICATOR LIGHT, TEST & RESET BUTTONS & COLOR YELLOW TO TITLE. PER DCN. 10663	TJV	2-28-03
1	RELEASED PER DCN # 1742 RCM	WES	2/3/93
SYM	REVISIONS	APP	DATE

THE DESIGN AND DIMENSIONS OF THE PRODUCT SHOWN ON THIS DRAWING ARE SUBJECT TO CHANGE WITHOUT NOTICE

TITLE
 CUSTOMER DWG
 IN-LINE GFCI
 COLOR YELLOW

TOLERANCES UNLESS OTHERWISE SPECIFIED	WIRING DEVICE DIVISION HUBBELL, INCORPORATED BRIDGEPORT, CT	
FRACTIONS ± 1/64	DR. BY RCM	APP. BY
DECIMALS ± .005	TR. BY	SCALE 1/2
ANGLES ± 2°	CHK'D BY WES	DATE 2/2/93