



A Pentair Company

# A50

## Fiberglass Small Enclosure

### Hoffman Enclosures Inc.

2100 Hoffman Way  
Anoka, MN 55303-1745  
(763) 422-2211 Tel  
www.hoffmanonline.com

### Pentair Electronic Packaging

170 Commerce Drive  
Warwick, RI 02886  
(401) 732-3770  
www.pentair-ep.com

### Canada

Hoffman-Schroff  
111 Grangeway Avenue, Suite 504  
Scarborough, Ontario M1H 3E9  
(416) 289-2770 Fax (416) 289-2883  
1-800-668-2500 (Canada only)

### Germany

Schroff GmbH  
Langenalber Str. 96-100  
75334 Straubenhardt  
49 (07082) 794-0 Fax 49 (07082) 794-200  
www.schroff.de

### Great Britain

Schroff UK Ltd.  
Maylands Avenue  
Hemel Hempstead, Herts HP2 7DE  
44 (01442) 240471 Fax 44 (01442) 213508  
www.schroff.co.uk

### Sweden

Schroff Scandinavia AB  
Box 2003  
12821 Skarpnäck  
46 08683 61 00 Fax 46 08683 61 99  
www.schroff.se

### France

Schroff Sas  
Z.I., 4 rue du Marais  
67660 Betschdorf  
33 03 88 90 64 90 Fax 33 03 88 90 64 88  
www.schroff.fr

### Italy

Schroff srl  
Viale Milano, 119  
21013 Gallarate (Varese)  
39 0331 79 40 03 Fax 39 0331 79 34 50

### Singapore

Hoffman-Schroff Pte. Ltd.  
#01-68/71 German Centre  
25 International Business Park  
Singapore 609916  
65 5 62-78 90 Fax 65 5 62-78 99

### Japan

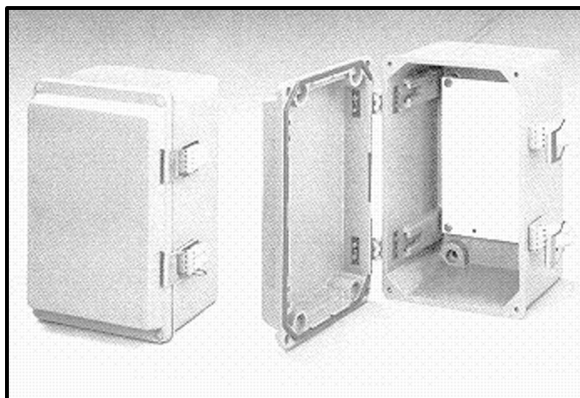
Schroff K.K.  
Nisso No. 13 Bldg. 4F  
2-5-1 Shinyokohama  
Kohoku-Ku, Yokohama shi  
Kanagawa 222-0033  
81 (045) 476-02 81 Fax 81 (045) 476-02 89

### Finland

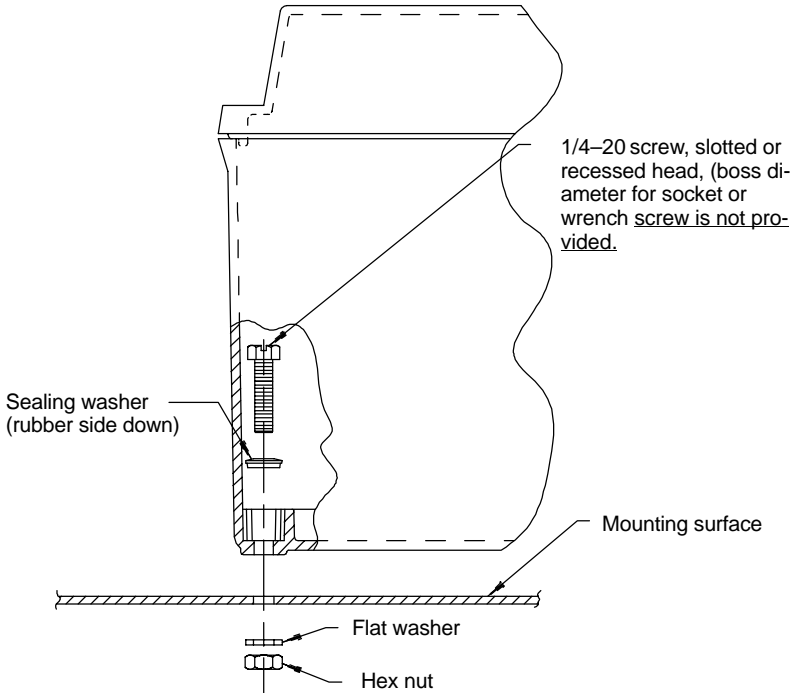
Schroff Scandinavia AB  
Peräsimentie 8  
03100 Nummela  
358 09 222 68 00 Fax 358 09 222 38 86

### Norway

Schroff Scandinavia AB  
Bjoernerudveien 24  
1266 Oslo  
47 022 76 33 60 Fax 47 022 76 33 69



# MOUNTING WITHOUT FEET



## Instruction Steps:

1. Place sealing washers and 1/4-20 screws in corner bosses of enclosure.
2. Align screws protruding from rear of enclosure with holes on the mounting surface. Feed screws through holes and secure with 1/4-20 nuts and washers.

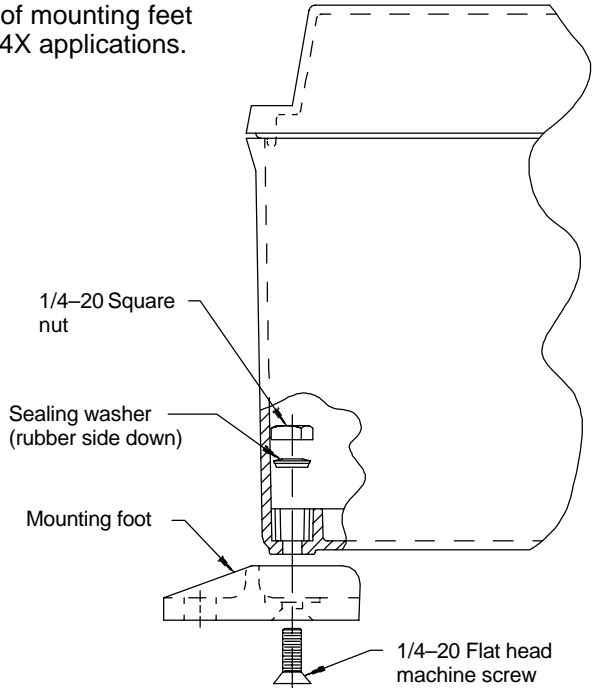
**NOTE:** Sealing washers are included and are required to maintain the integrity of the enclosure. All other hardware is not provided and those items shown are merely suggestions. Any type of 1/4" screws, washers, and nuts are acceptable as long as the screw head is slotted or has a recessed head. The bosses in the enclosure do not provide clearance for a wrench or socket.

3. When connecting conduit to this enclosure, use only U.L. listed or recognized conduit hubs that have the same environmental type rating as the enclosure rating.
4. Conduit hubs must be connected to the conduit before being connected to the enclosure.
5. In order to maintain a UL/CSA 3R rating, a 1/4" (6 mm) diameter hole must be drilled on the bottom surface of the enclosure at the lowest point.

# MOUNTING WITH FEET

## Mounting Feet

UL/CSA requirement: Use of mounting feet mandatory on all type 3, 4, 4X applications.



## Instruction Steps:

1. Place sealing washers and square nuts in corner bosses of enclosure.
2. Insert flat head screws through mounting feet, enclosure mounting holes, sealing washers, and square nuts. Finally, tighten all fasteners.

NOTE: Sealing washers are included and are required to maintain the integrity of the enclosure. Flat head screws and square nuts are included with the mounting foot kit which must be purchased separately.

3. When connecting conduit to this enclosure, use only U.L. listed or recognized conduit hubs that have the same environmental type rating as the enclosure rating.
4. Conduit hubs must be connected to the conduit before being connected to the enclosure.
5. In order to maintain a UL/CSA 3R rating, a 1/4" (6 mm) diameter hole must be drilled on the bottom surface of the enclosure at the lowest point.

**⚠ WARNING**



To avoid electric shock, grounding must be installed by the customer as part of the installation. Non-metallic enclosures do not provide grounding between conduit connections.

## GROUNDING OF EQUIPMENT AND CONDUIT

Ground in accordance with the requirements of the National Electrical Code.

Conduit hubs for metallic conduit must have a grounding bushing attached to the hub on the inside of the enclosure. Grounding bushings have provisions for connection of a grounding wire.

Non-metallic conduit and hubs require the use of a grounding wire in the conduit. Grounding bushings are not required.

System grounding is provided by connection wires from all conduit entries to the subpanel or to other suitable point which provides continuity. Any device having a metal portion or portions extending out of the enclosure must also be properly grounded.

### TYPICAL GROUNDING ILLUSTRATIONS

**METALLIC CONDUIT**                      **NON-METALLIC CONDUIT**

