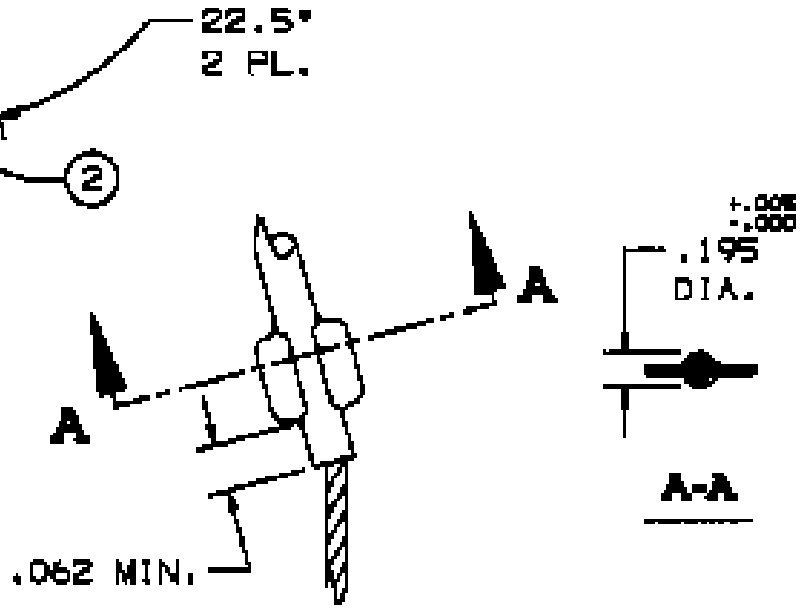
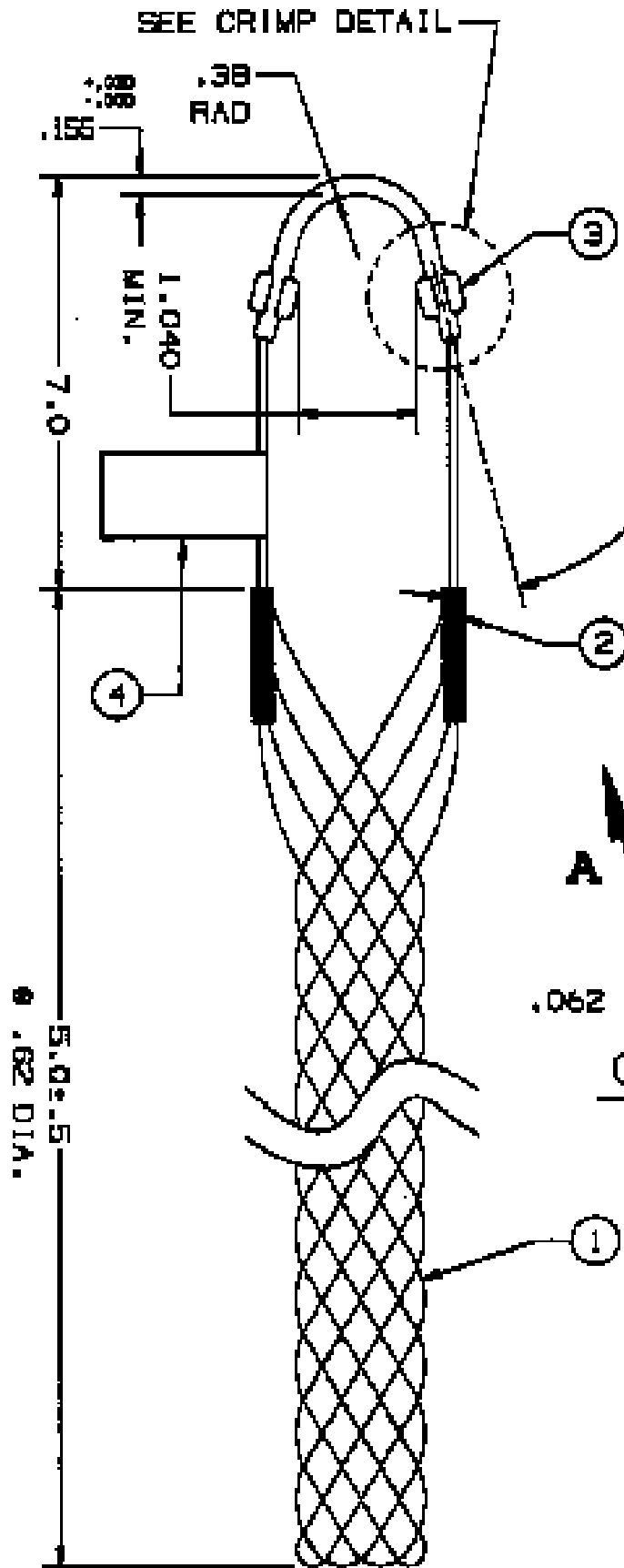


COMPONENT LIST

ITEM NO.	DESCRIPTION	MAT'L	COMPONENT NO.	QTY.
1	STRAND	T BRZ	302-01-002	-
2	EQUALIZER	BRZ	352-47-002	2
3	EYE	SET	304-48-075	1
4	TAG	MYLAR		1



CRIMP DETAIL
2 PL.

IN ACCEPTING OUR DRAWINGS OR BLUEPRINTS FOR QUOTATION OR OTHER PURPOSES, YOU AGREE NOT TO DISCLOSE TO OTHERS THE IDEAS, INFORMATION, OR DECISIONS THEREIN SHOWN, AND THAT YOU WILL MAKE NO USE OF OUR DRAWINGS OR BLUEPRINTS OR OF THE IDEAS, INFORMATION, OR DECISIONS THEREIN SHOWN WITHOUT OUR PERMISSION.

TITLE GRIP, FIBER OPTIC SUPPORT, CLOSED MESH, SINGLE WEAVE, SINGLE "U" EYE DIA. RA. .56-.71
APPROX BRK STR. 800# ±20%

TOLERANCES UNLESS OTHERWISE SPECIFIED
 .005 ± .001
 .010 ± .002
 .015 ± .003
 .020 ± .004
 .030 ± .005
 .040 ± .006
 .050 ± .008
 .062 MIN.

HUBBELL INCORPORATED
 KELLING DIVISION
 STONINGTON, CT

DR. BY DE APP. BY JLM
 TR. BY RCM SCALE N/A
 CHK. BY JLM DATE 5/28/95

DR. NO. 022-29-1005
 REV. E