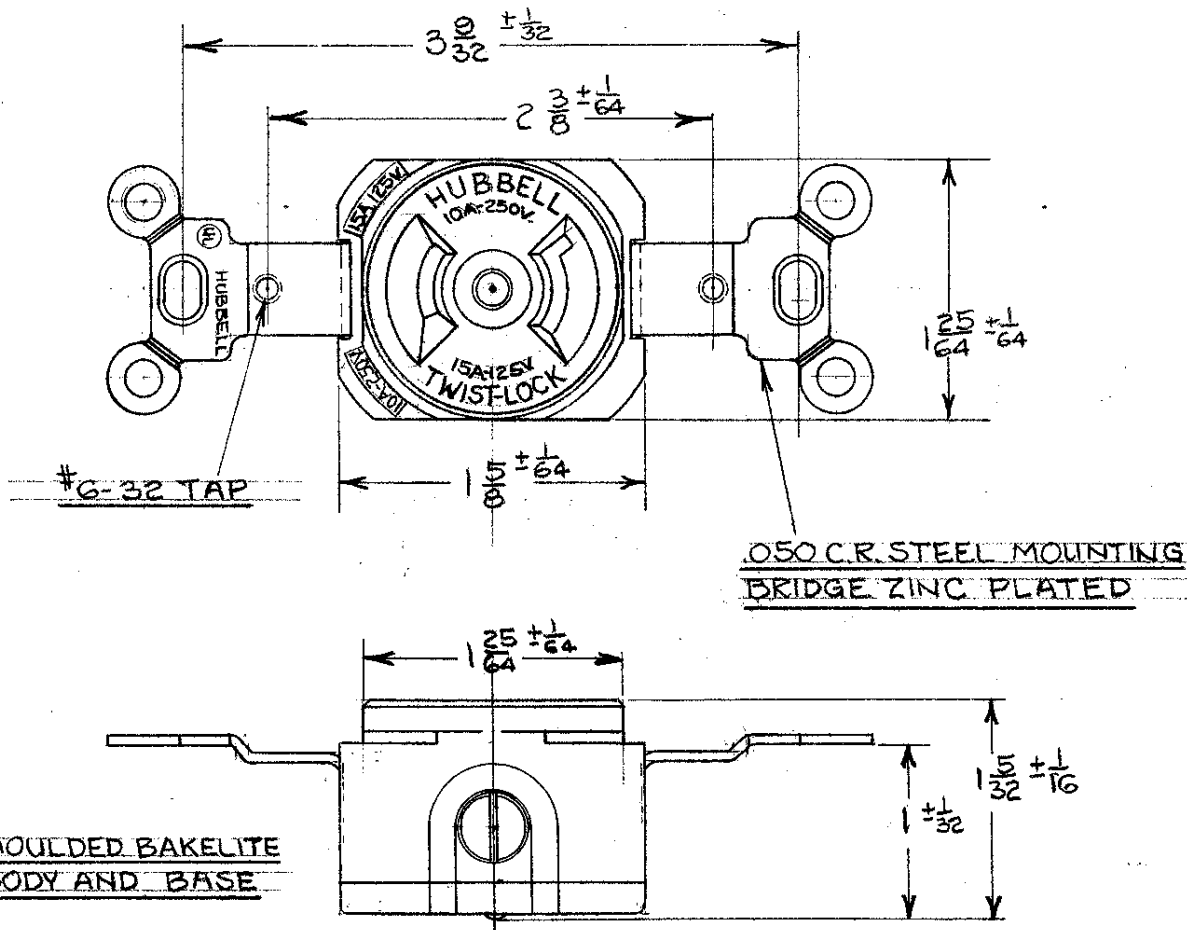


STYLE

M-1764

TITLE DIMENSION SHEET FOR CAT. NO. 7535

FIRST MADE FOR CAT.



MOULDED BAKELITE
BODY AND BASE

050 C.R. STEEL MOUNTING
BRIDGE ZINC PLATED

- 2-031 BRASS CONTACT SPRINGS
- ONE WHITE FINISH
- 2-#8-32 BRASS BINDING SCREWS
- ONE WHITE FINISH
- BRASS RIVET

USED AS STYLE NO. ON NOS.

USED IN ASSEMBLY NOS.

SUPERSEDES DWG. DATED 10-27-41

SIZE STOCK	EST.
MATERIAL	
HARDNESS	

HARVEY HUBBELL, INC.	
BRIDGEPORT, CONN.	
DR. BY C.M.	APP. BY CSC
TR. BY	SCALE FULL
CHK'D BY	DATE 5-2-58

SUB(1) 12-19-62 "WHITE" FINISH WAS "STD. GR."
 SUB(2) 3-4-91 CONTACT SPRINGS WERE BRONZE ALL CSC