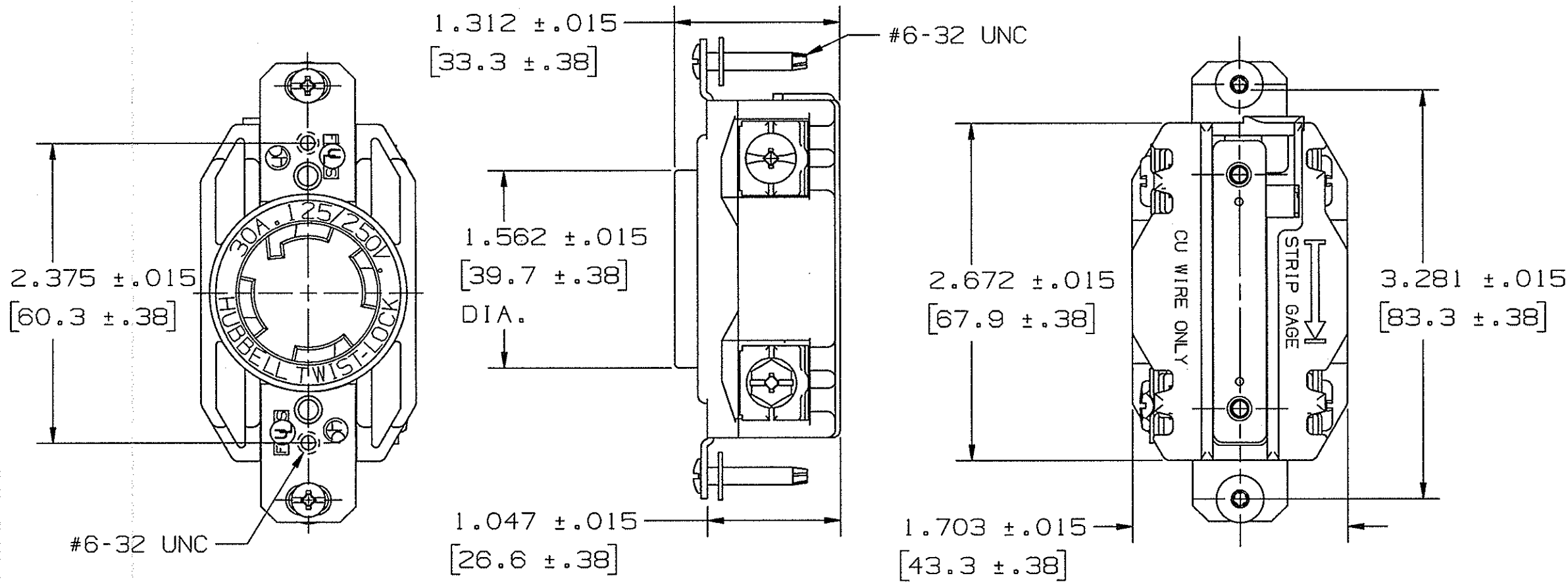


NOTES: UNLESS OTHERWISE SPECIFIED:
 1. DIMENSIONS ARE INCHES [MILLIMETERS].
 2. CONDUCTOR SIZE: 10 AWG TO 8 AWG.

M-9091 3



LIST OF PARTS		
DESCRIPTION	MATERIAL	FINISH
BASE	POLYESTER	BLACK
COVER	NYLON	BLACK
CONTACT SPRING	.040 BRASS	
WIRE CLAMP	.040 BRASS	
GR. SHUNT	.015 BRASS	
BINDING SCREWS	BRONZE	*
HEX.HD.BIND.SCREW	BRONZE	GREEN
BACK PLATE	.040 BRASS	NICKEL
END PLATES	.050 STEEL	NICKEL
RIVET	BRASS	
SCREWS, MOUNTING	STEEL	ZINC

DIMENSION SHEET FOR CAT. NO. SEE CHART

REPAIRABLE NON-REPAIRABLE

CATALOG NO.	CONFIGURATION	RATING	UL	CSA	FED SPEC.
L1430R	NEMA L14-30R	30A. 125/250V	YES	YES	YES
L1530R	NEMA L15-30R	30A. 250V.3Ø	YES	YES	YES
L1630R	NEMA L16-30R	30A. 480V.3Ø	YES	YES	NO
L2130R	NEMA L21-30R	30A. 3ØY 120/208 VAC	YES	YES	YES
L2230R	NEMA L22-30R	30A. 3ØY 277/480 VAC	YES	YES	NO
L2330R	NEMA L23-30R	30A. 3ØY 347/600 VAC	YES	YES	NO

3 FED SPEC FOR CATS L1630R, L2230R AND L2330R NO WAS YES. FRONT VIEW 30A 125/250V WAS 30A 125V. PER DCN 18593 SPN DJP 2/8/12

2 ADDED L2130R, L2230R L2330R. PER DCN 17774 SPN DJP 7/8/11

1 RELEASED PER DCN 10754 CAC 5/22/03

SYM REVISIONS APP DATE

THE DESIGN AND DIMENSIONS OF THE PRODUCT SHOWN ON THIS DRAWING ARE SUBJECT TO CHANGE WITHOUT NOTICE

TITLE 30A. 2 POLE 3 WIRE TWIST LOCK RECEPTACLES

TOLERANCES UNLESS OTHERWISE SPECIFIED
 FRACTIONS ±1/64
 DECIMALS ±.005
 ANGLES ±2°

WIRING DEVICE-KELLEMS HUBBELL INCORPORATED BRIDGEPORT, CT

DR. BY CAC APP. BY MJL
 TR. BY SCALE NONE
 CHK'D BY MJL DATE 5/22/03

B

M-9091

W