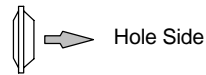
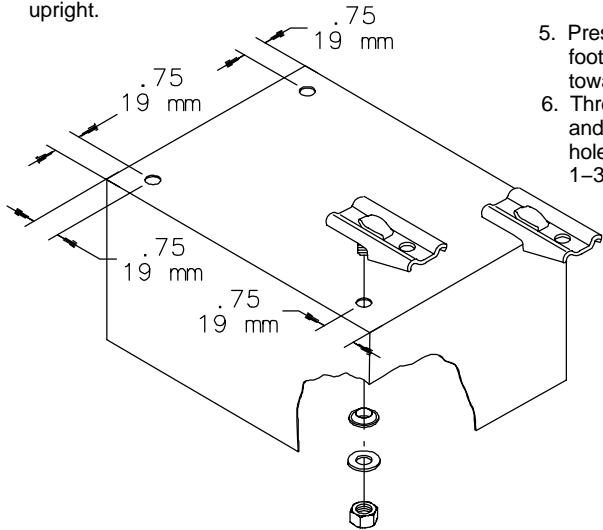


Mounting Feet

1. Locate mounting foot stud location using the dimensions given. (when holes are not provided)
2. Use center punch to mark hole centers, and drill four .5 inch (13 mm) diameter holes.
3. Deburr holes.
4. Insert mounting foot studs into drilled holes and turn enclosure upright.

5. Press sealing washer onto mounting foot stud with the tapered cone towards the hole and add flat washer.
6. Thread nut onto mounting foot stud and tighten to 200 in-lbs. Note: If holes are pre-punched, omit steps 1-3.



Sealing Washer Detail