

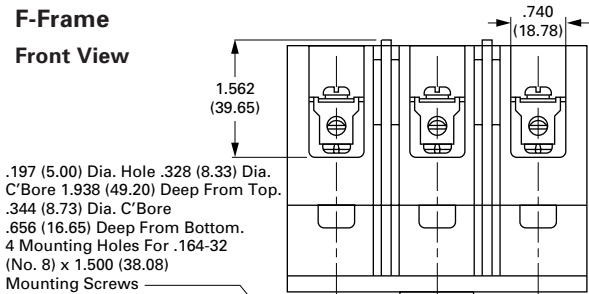
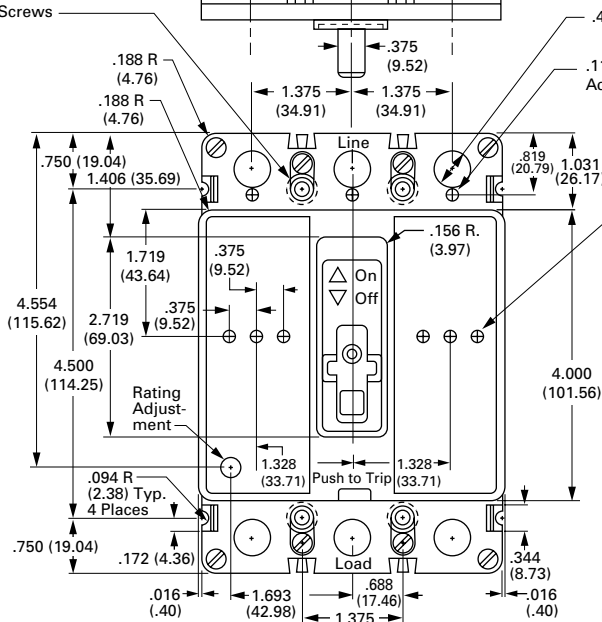
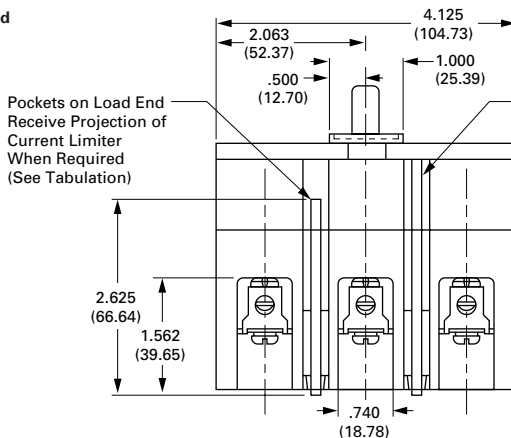
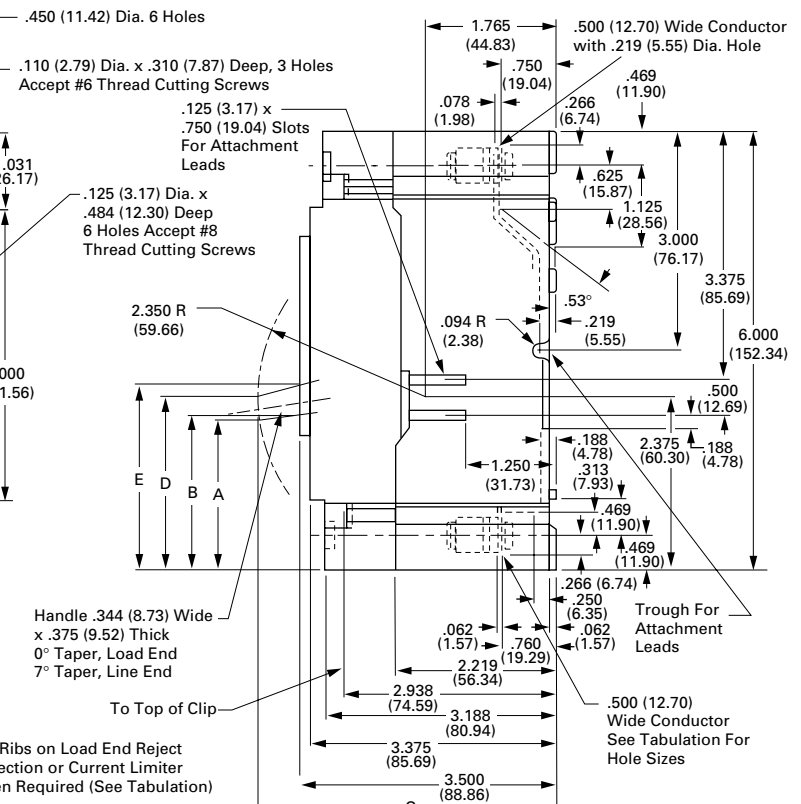
October 1997
Mailed to: E, D, C/29-100A

Series C[®] HMCP Motor Circuit Protectors 3-600 Amperes

Breaker Description	Page
F-Frame	1
J-Frame	3
K-Frame	5
L-Frame	7

October 1997
 Mailed to: E, D, C/29-100A

Series C[®] HMCP Motor Circuit Protectors 3-600 Amperes

**F-Frame
Front View**

Line End

Load End

Side View


MCP Continuous Rating	Hole Size			Current Limiter Pockets
	.203 (5.15)	.234 (5.94)	.266 (6.75)	
3	X			N
5	X			N
7	X			N
10	X			Y
15	X			Y
25		X		N
30		X		N
50		X		Y
70		X		Y
100			X	N
150			X	Y

Breaker Status	Dimension				
	A	B	C	D	E
On	3.07 (77.94)	2.92 (74.13)	3.96 (100.54)	3.40 (86.32)	3.33 (84.54)
Tripped	2.65 (67.28)	2.57 (65.25)	4.06 (103.08)	2.99 (75.91)	2.98 (75.66)
Off	2.08 (52.81)	2.14 (54.33)	4.12 (104.60)	2.42 (61.44)	2.56 (64.99)
Reset	1.98 (50.27)	2.05 (52.04)	4.11 (104.35)	2.30 (58.39)	2.48 (62.96)

Note: For 2 Pole MCP, Current Carrying Parts Omitted From Center Pole

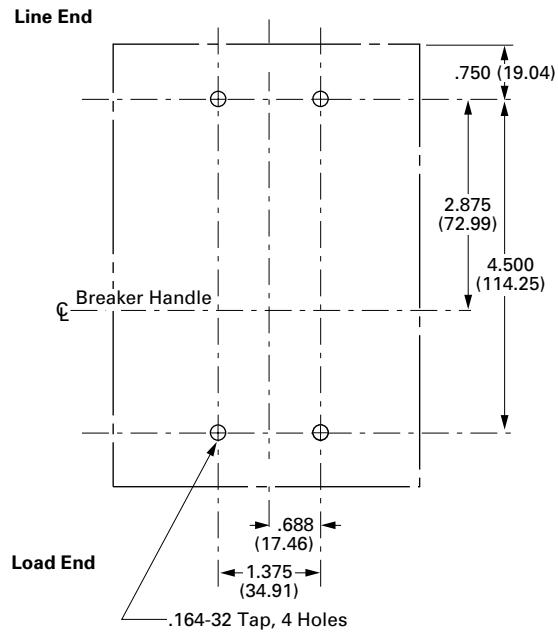
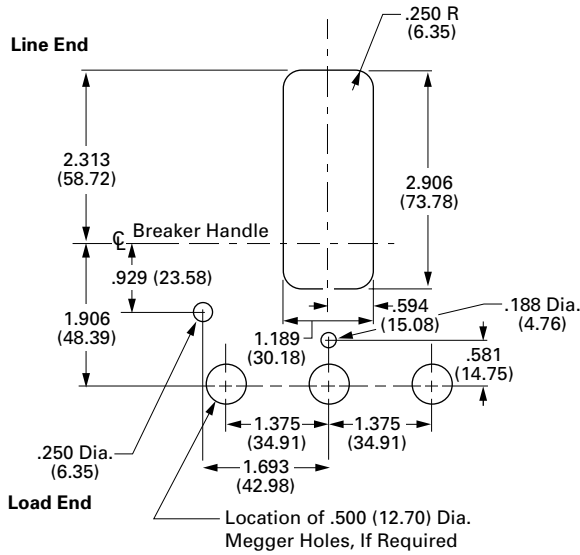


Series C HMCP Motor Circuit Protectors, 3-600 Amperes

F-Frame

Front Cover Cutout

Drilling Plans



Reproduced from drawing 1490D54

Dimensions in parentheses in millimeters

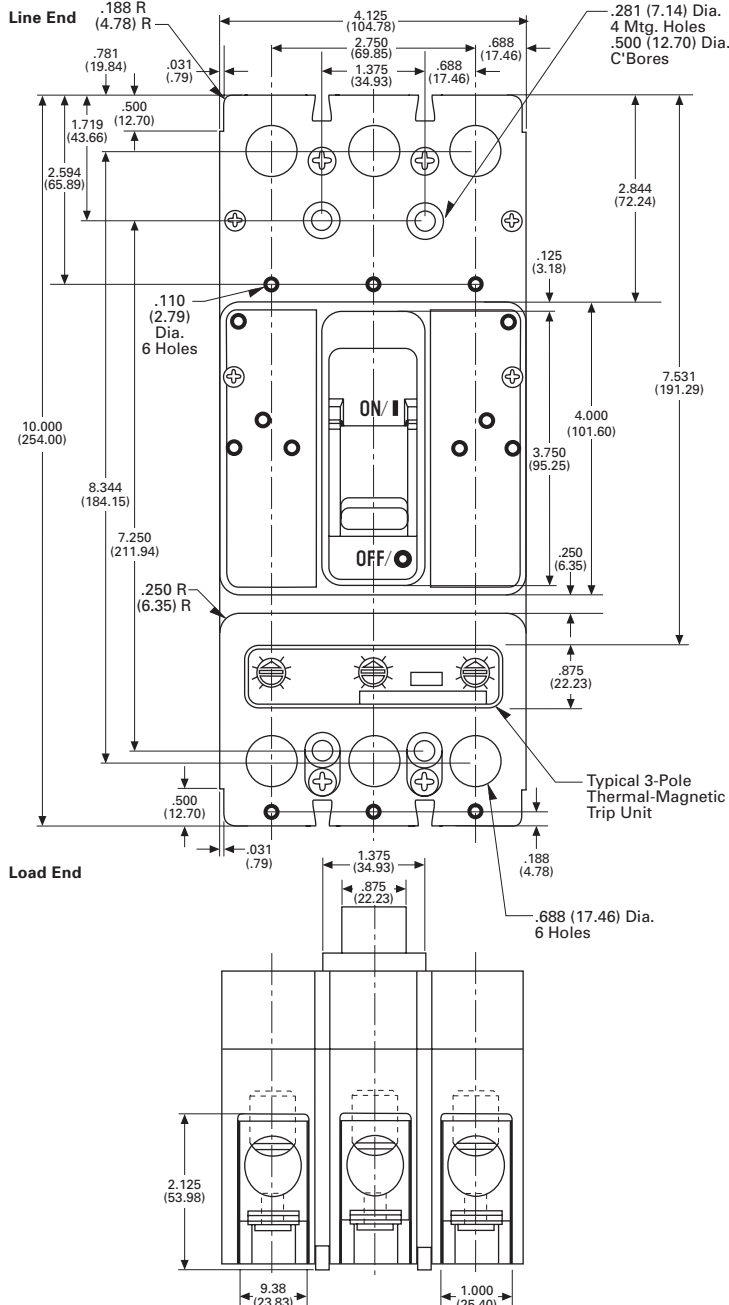
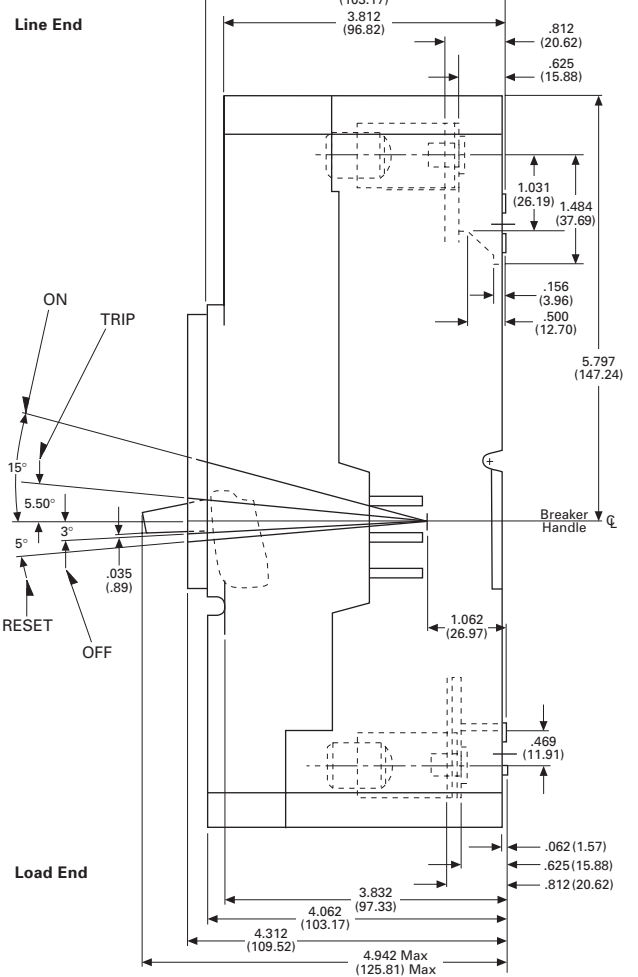
Cutler-Hammer

Westinghouse & Cutler-Hammer Products
Five Parkway Center
Pittsburgh, Pennsylvania, U.S.A. 15220



October 1997
 Mailed to: E, D, C/29-100A

Series C[®] HMCP Motor Circuit Protectors 3-600 Amperes

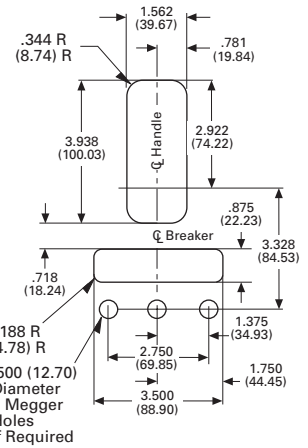
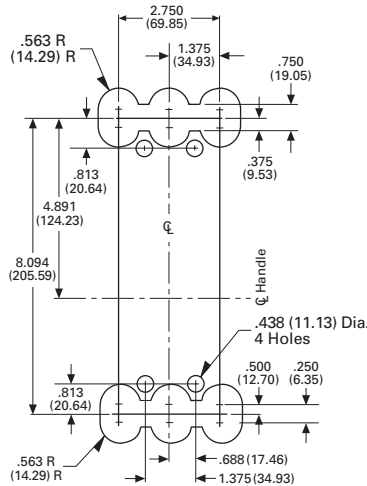
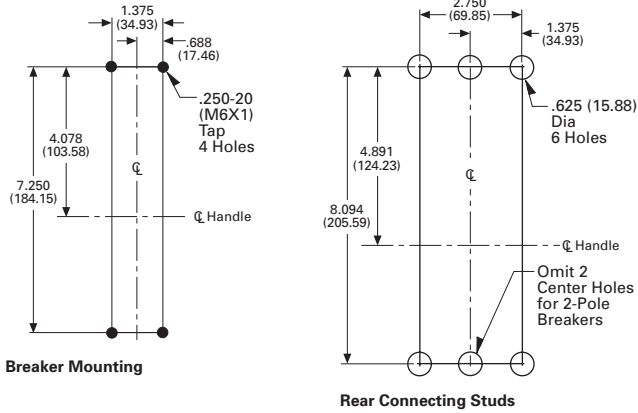
J-Frame
Front View

Side View




Series C HMCP Motor Circuit Protectors, 3-600 Amperes

J-Frame

Drilling Plans



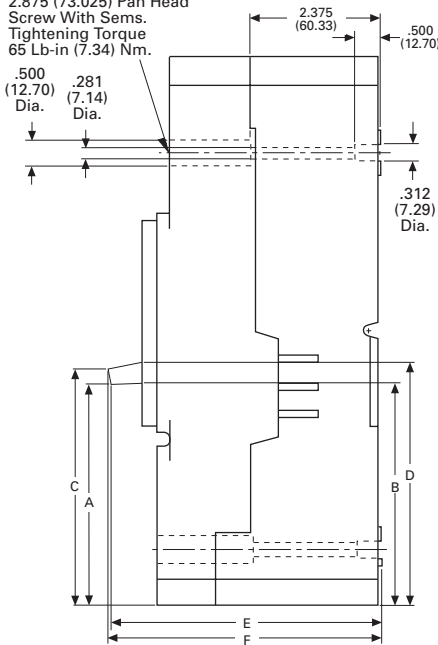
Breaker Mounting

Rear Connecting Studs

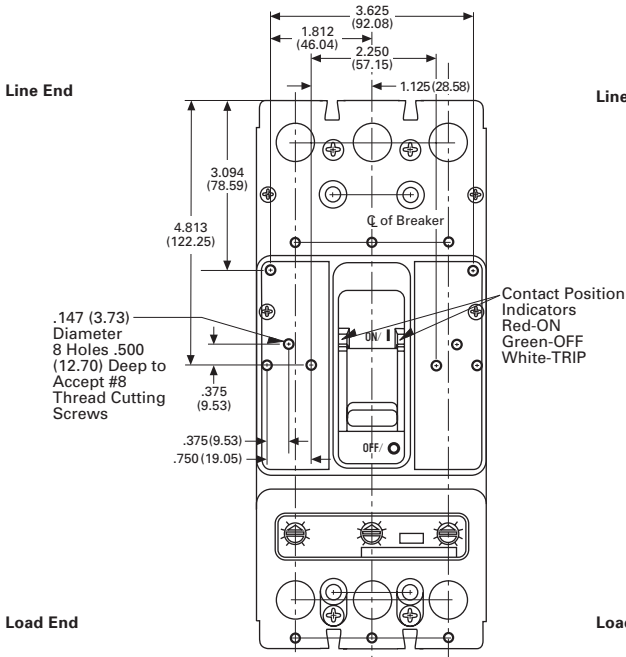
Drawout Support Blocks

Front Cover Cutout

Breaker Mounting Holes
Use .250-20 (M6X1) X
2.875 (73.025) Pan Head
Screw With Sems.
Tightening Torque
65 Lb-in (7.34) Nm.



Breaker Shown in OFF Position



Line End

Line End

Load End

Load End

Reproduced from drawings 1491D65 and 1491D67

Breaker Status	Dimension						Hdl. Oper. Force
	A	B	C	D	E	F	
On	5.24 (132.10)	5.12 (130.05)	5.54 (140.72)	5.49 (139.45)	4.77 (121.56)	4.72 (119.89)	32 Lb. (142.3 Nm)
Tripped	4.79 (121.67)	4.71 (119.63)	5.10 (129.54)	5.10 (129.54)	4.87 (123.70)	4.85 (123.19)	
Off	4.02 (102.11)	4.06 (103.12)	4.33 (109.82)	4.45 (113.03)	4.91 (124.71)	4.95 (125.73)	22 Lb. (97.9 Nm)
Reset	3.91 (99.31)	3.96 (100.58)	4.21 (106.93)	4.36 (110.74)	4.90 (124.46)	4.95 (125.73)	38 Lb. (169.0 Nm)

Dimensions in parentheses in millimeters

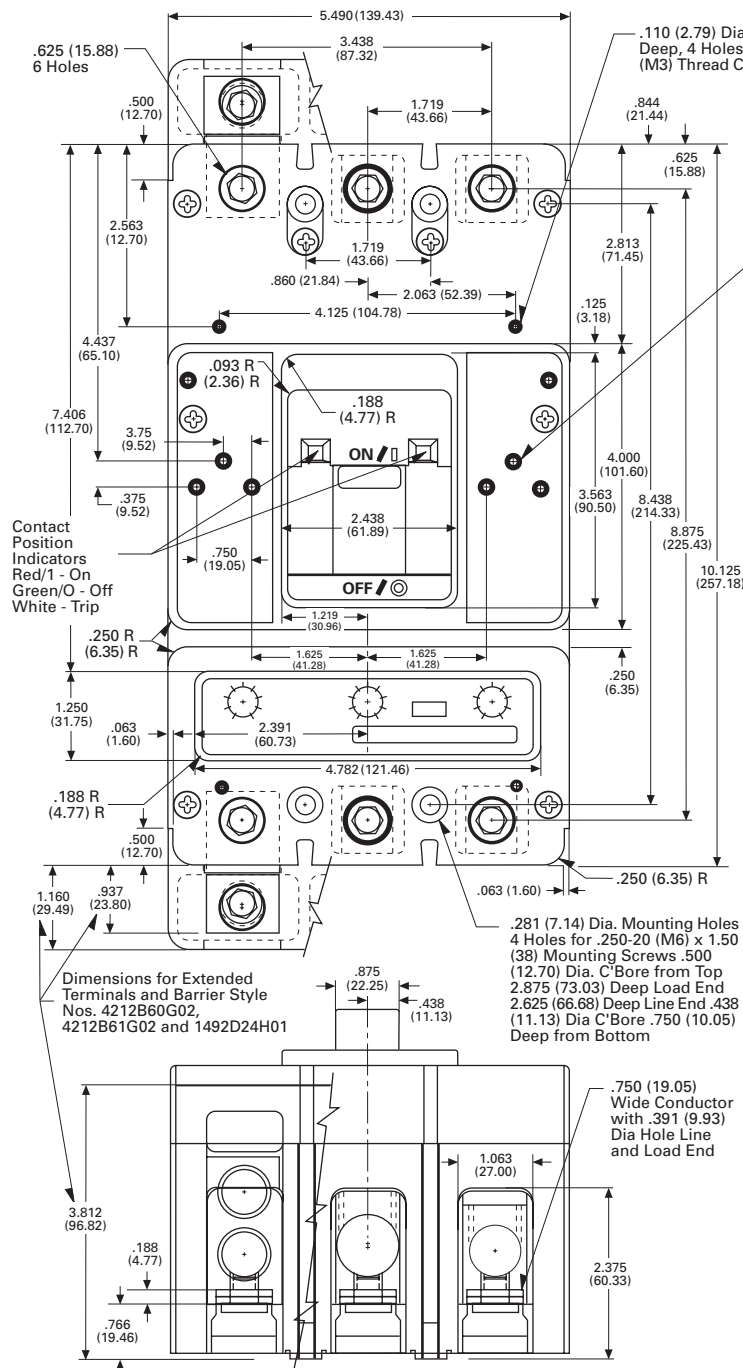
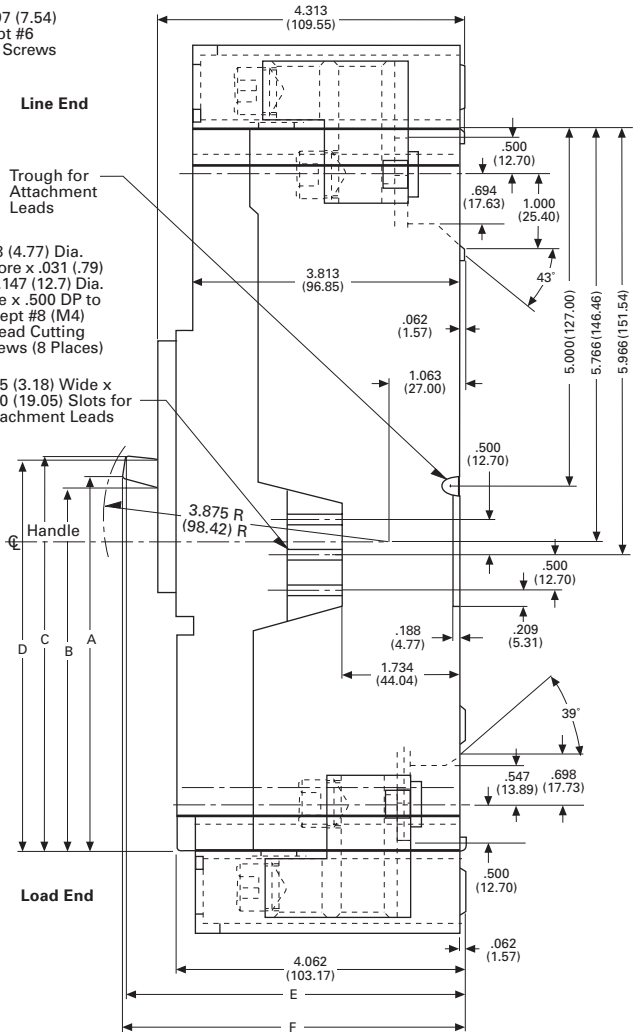
Cutler-Hammer

Westinghouse & Cutler-Hammer Products
Five Parkway Center
Pittsburgh, Pennsylvania, U.S.A. 15220



October 1997
 Mailed to: E, D, C/29-100A

Series C[®] HMCP Motor Circuit Protectors 3-600 Amperes

**K-Frame
Front View**

Side View


Breaker Status	Dimensions						Handle Force ^①
	A	B	C	D	E	F	
On	5.39 (136.9)	5.20 (132.1)	5.69 (144.5)	5.61 (142.5)	4.72 (119.9)	4.77 (121.2)	30 lbs. (13.61 kgs.)
Tripped	4.77 (121.2)	4.69 (119.1)	5.08 (129.0)	5.11 (129.8)	4.89 (124.2)	4.89 (124.2)	—
Off	4.16 (105.7)	4.21 (106.9)	4.46 (113.3)	4.64 (117.9)	4.95 (125.7)	4.91 (124.7)	25 lbs. (11.34 kgs.)
Reset	4.07 (103.4)	4.14 (105.2)	4.57 (116.1)	4.56 (115.8)	4.95 (125.7)	4.90 (124.5)	35 lbs. (15.87 kgs.)

① All handle forces measured approximately 0.125 (3.17) from top of handle.

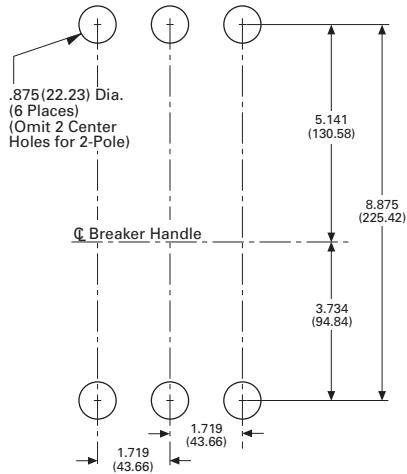
 Reproduced from drawings 1492D63 and 1492D67
 Dimensions in parentheses in millimeters



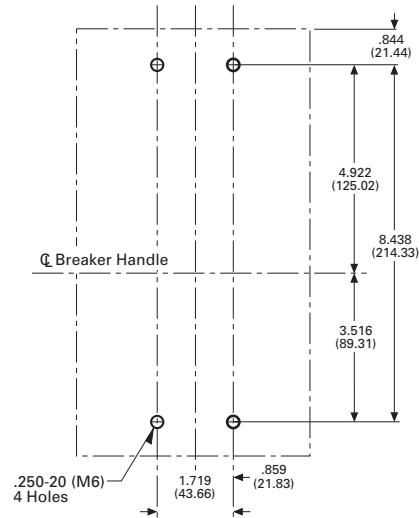
Series C HMCP Motor Circuit Protectors, 3-600 Amperes

**K-Frame
 Drilling Plans**

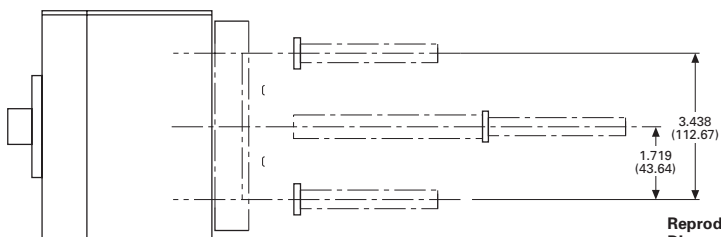
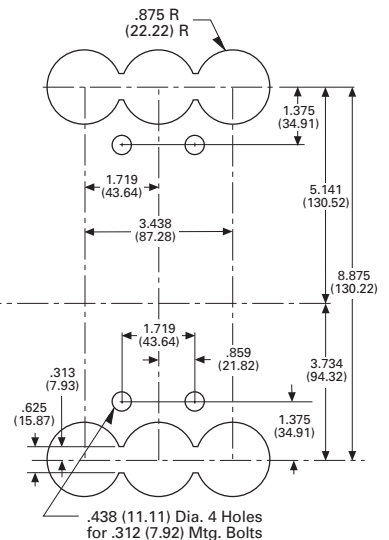
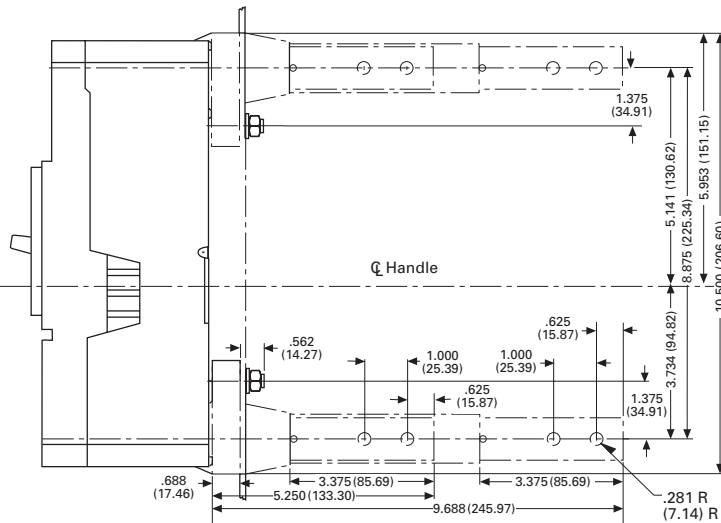
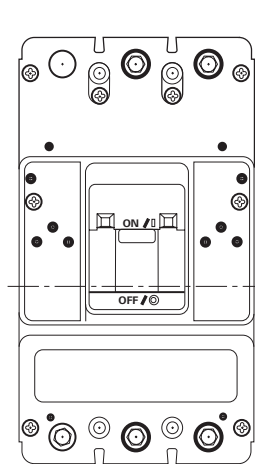
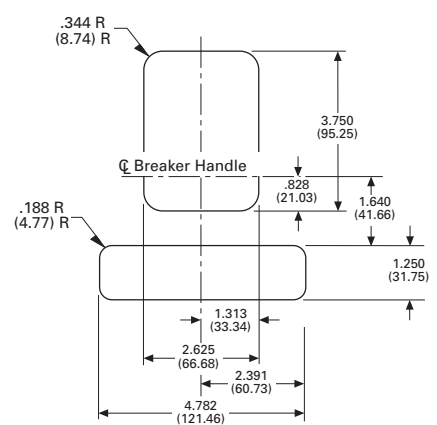
Rear Connected Studs



Front Connected Terminals



Front Cover Cutout



Reproduced from drawings 1492D63 and 1492D67
 Dimensions in parentheses in millimeters

Cutler-Hammer

Westinghouse & Cutler-Hammer Products
 Five Parkway Center
 Pittsburgh, Pennsylvania, U.S.A. 15220

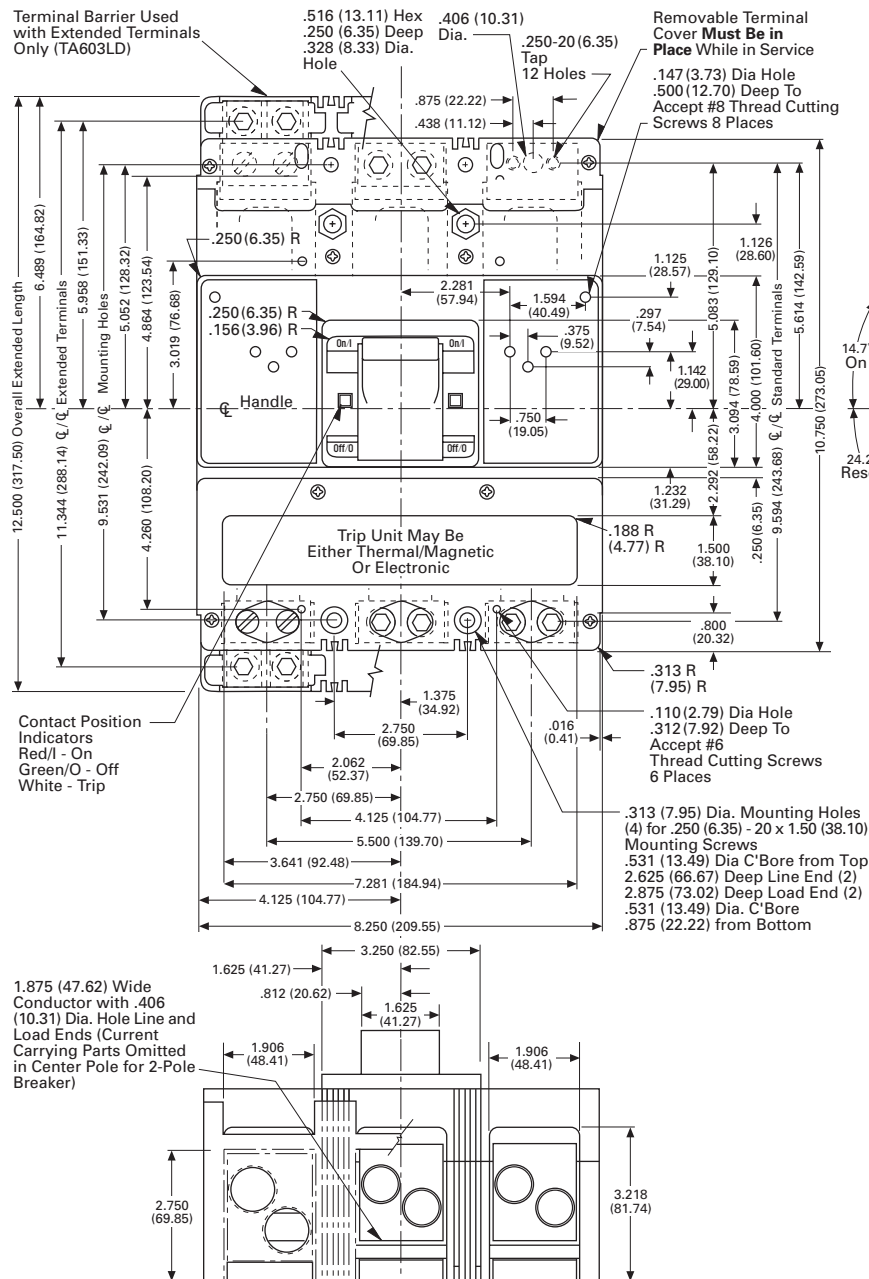


October 1997
Mailed to: E, D, C/29-100A

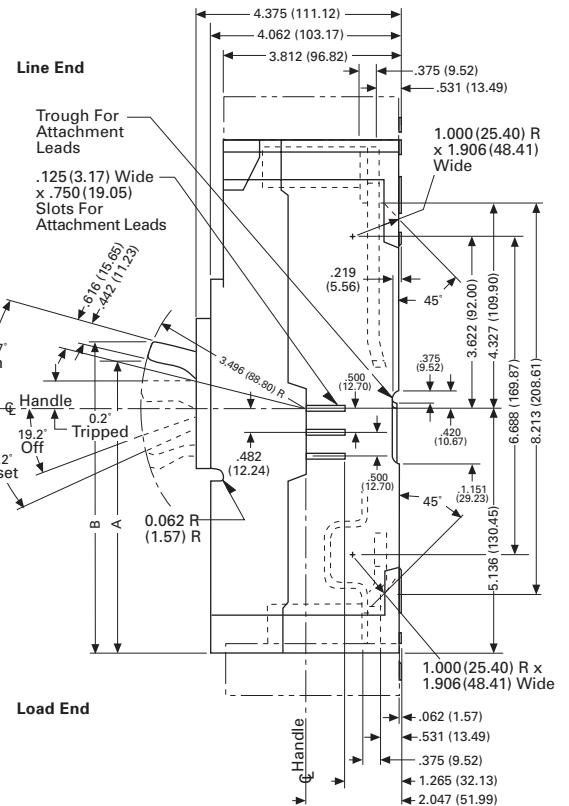
Series C[®] HMCP Motor Circuit Protectors 3-600 Amperes

L-Frame

Front View



Side View



Handle Forces (From End of Handle) ①

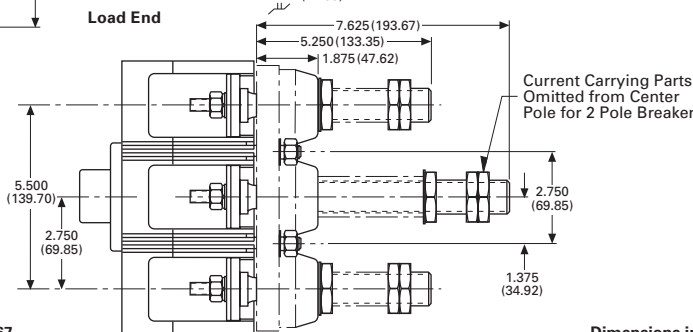
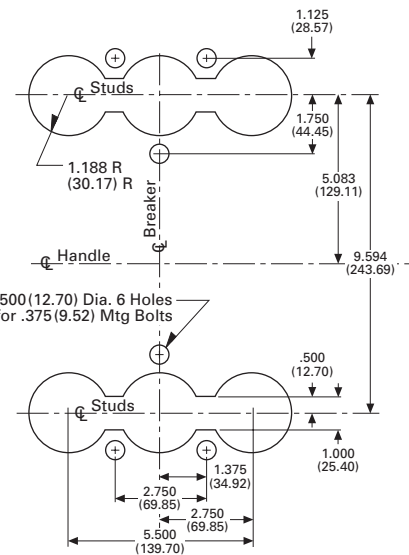
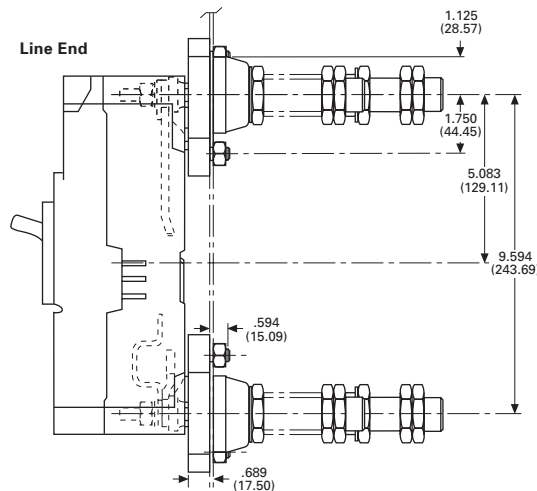
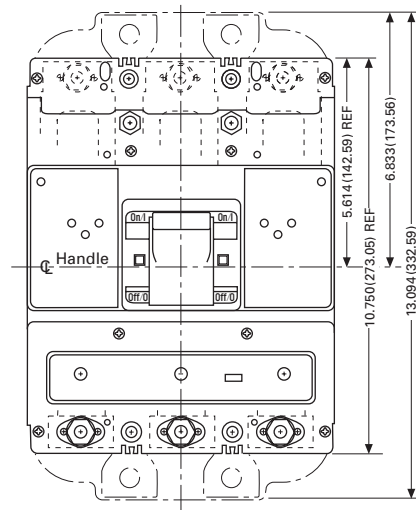
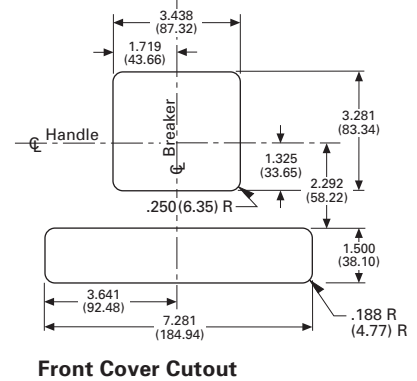
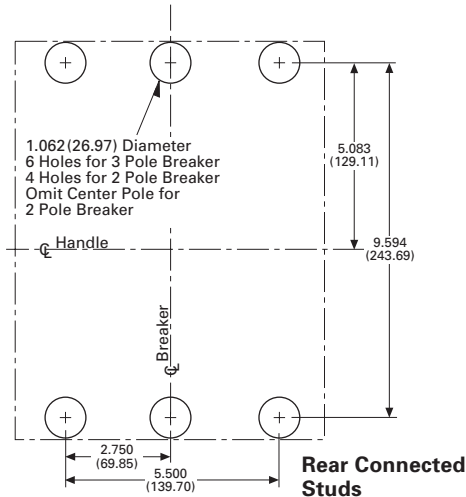
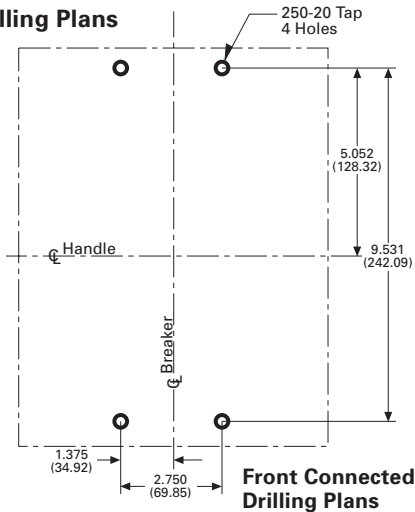
On	45 lbs.
Off	50 lbs.
Reset	60 lbs.

① Measurements taken approximately 3/16 in. from end of handle.



Series C HMCP Motor Circuit Protectors, 3-600 Amperes

**L-Frame
 Drilling Plans**



Reproduced from drawings 1493D63 and 1493D67

Dimensions in parentheses in millimeters

Cutler-Hammer
 Westinghouse & Cutler-Hammer Products
 Five Parkway Center
 Pittsburgh, Pennsylvania, U.S.A. 15220

