

## TYPE XJG-EMT EXPANSION JOINT Installation Instructions

### APPLICATION

XJG-EMT Expansion Joints are used with Electrical Metallic Tubing, to couple together (2) two sections of tubing subject to longitudinal movement.

#### XJG-EMT Expansion Joints are installed:

- Without the need for unit disassembly.
- Internally grounded therefore it does not require an external bonding jumper when used indoors or outdoors.
- On long conduit runs to permit linear movement caused by thermal expansion and contraction.
- On long conduit runs to prevent buckling and ensuing failures.

XJG-EMT Expansion Joints are UL Listed (UL Std. 514B) and CSA Certified (CSA Standard C22.2 No.18) as an effective grounding means (i.e., the path to ground is permanent and continuous), for the telescopic sections of the tubing. A metallic packing ring ensures the entire conduit system remains a continuous electrical conductor. The internal grounding method uses a flexible bonding jumper that is bolted on a movable bushing. The other end is mounted to a fixed end stop that is clamped on the body and secured in place by the gland nut. These joints are weatherproof and approved for use indoors and outdoors without an external bonding jumper. XJG-EMT Expansion Joints meet the requirements of Article 250.98 of the National Electrical Code, providing an electrically continuous raceway, requiring no additional bonding means.

XJG-EMT Expansion Joints permit the conduit to move either 2 inches or 4 inches from center of fitting, in either direction. This results in a total movement of either 4 inches or 8 inches.

Example:

XJG24-EMT = 4" movement

XJG28-EMT = 8" movement

### XJG-EMT EXPANSION JOINT CUT-AWAY VIEW

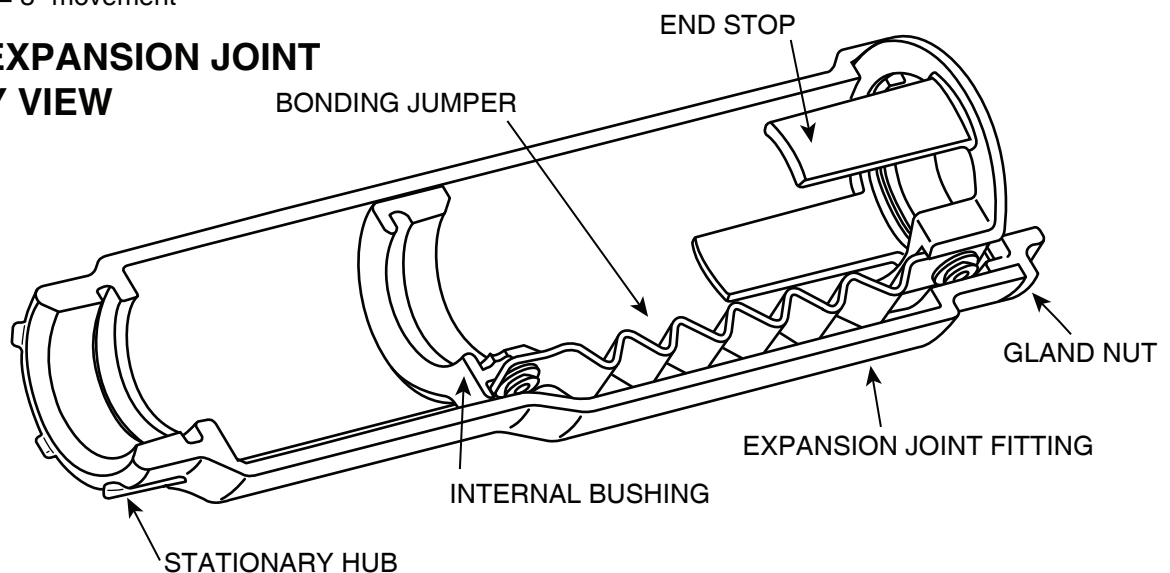


FIGURE 1

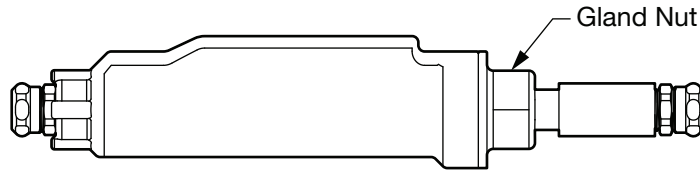
**WARRANTY:** Thomas & Betts sells this product with the understanding that the user will perform all necessary tests to determine the suitability of this product for the user's intended application. Thomas & Betts warrants that this product will be free from defects in materials or workmanship for a period of two (2) years following the date of purchase. Upon prompt notification of any warranted defect, Thomas & Betts will, at its option, repair or replace the defective product. Misuse, misapplication or modification of Thomas & Betts Products immediately voids all warranties.

**Limitations and Exclusions:** THE ABOVE WARRANTY IS THE SOLE WARRANTY CONCERNING THIS PRODUCT, AND IS IN LIEU OF ALL OTHER WARRANTIES EXPRESS OR IMPLIED, INCLUDING BUT NOT LIMITED TO ANY IMPLIED WARRANTY OF MERCHANTABILITY OR FITNESS FOR A PARTICULAR PURPOSE, WHICH ARE SPECIFICALLY DISCLAIMED. LIABILITY FOR BREACH OF THE ABOVE WARRANTY IS LIMITED TO COST OF REPAIR OR REPLACEMENT OF THE PRODUCT, AND UNDER NO CIRCUMSTANCES WILL THOMAS & BETTS BE LIABLE FOR ANY INDIRECT, SPECIAL, INCIDENTAL OR CONSEQUENTIAL DAMAGES.

# THE XJG-EMT EXPANSION JOINTS ARE DELIVERED PRE-ASSEMBLED.

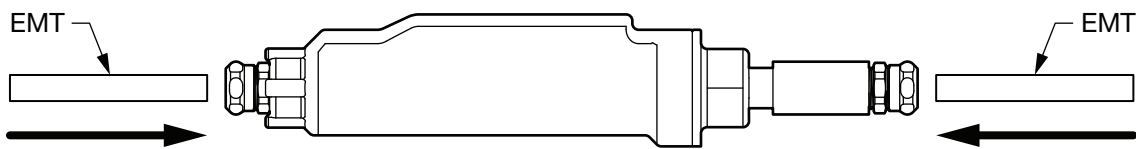
## INSTALLATION INSTRUCTIONS

- 1) No disassembly required. The gland nut comes from the factory partially tightened to allow easy insertion of tubing. Figure 2 shows how the XJG-EMT Expansion Joint is packaged and received.



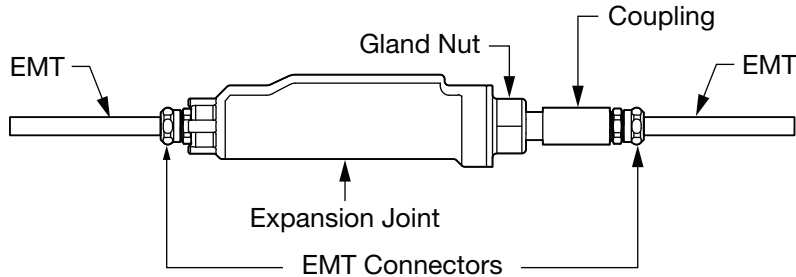
**NOTE:** EMT is inserted onto each end of the XJG-EMT shown in Figure 3.

**FIGURE 2**



**FIGURE 3**

- 2) Tighten gland nut using a pipe wrench, as shown in Figure 4. This will compress the Teflon packing around the tubing, providing a rain tight seal (See Torque Chart for correct torque). Tighten the gland nut at the end of the EMT connector.

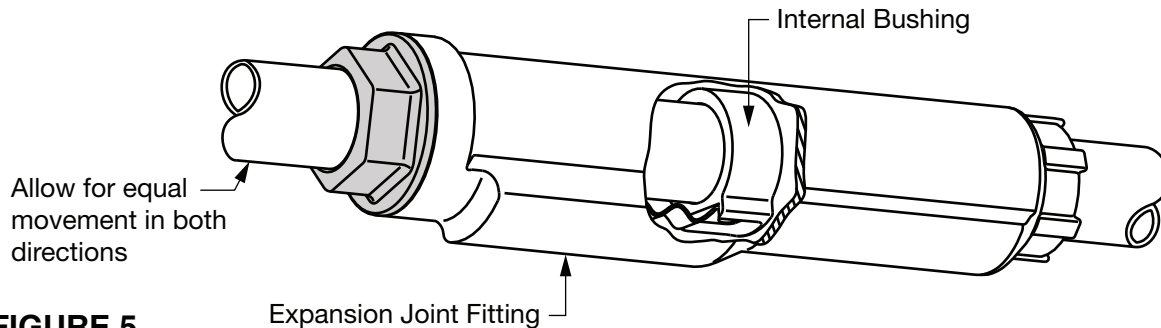


**TORQUE CHART**

Trade Size	Torques
3/4" (21) & Smaller	90.4 N·m (800 lbf-in)
1", 1-1/4", & 1-1/2" (27, 35 & 41)	113 N·m (1000 lbf-in)
2" (53) & Larger	181 N·m (1600 lbf-in)

**FIGURE 4**

- 3) Allow for movement in either direction by positioning the internal bushing in the middle of the expansion joint fitting (XJG-EMT), as shown in Figure 5.



**FIGURE 5**

Thomas & Betts Corporation  
 Memphis, Tennessee  
 Website: [www.tnb.com](http://www.tnb.com)