



52 Watts of energy efficient LED garage lighting replaces 175 Watt Metal Halide. 100,000 hour LED lifespan. 5-year, no-compromise warranty. High-performance output maximizes spacing criterion.

Color: Bronze

Weight: 17.6 lbs

Project:

Type:

Prepared By:

Date:

Driver Info

Type	Constant Current
120V	0.49A
208V	0.31A
240V	0.27A
277V	0.24A
Input Watts	54.70W

LED Info

Watts	52W
Color Temp	3000K (Warm)
Color Accuracy	74 CRI
L70 Lifespan	100,000 Hours
Lumens	5,732
Efficacy	104.8 lm/W

Technical Specifications

Listings

UL Listed:

Suitable for Wet Locations. Covered Ceiling Mount Only.

IESNA LM-79 & LM-80 Testing:

RAB LED luminaires and LED components have been tested by an independent laboratory in accordance with IESNA LM-79 and LM-80.

DLC Listed:

This product is on the Design Lights Consortium (DLC) Qualified Products List and is eligible for rebates from DLC Member Utilities. DLC Product Code: PJH7AJ3Q

Performance

Lifespan:

100,000-Hour LED lifespan based on IES LM-80 results and TM-21 calculations

LED Characteristics

LEDs:

4x13W high-output, long-life LEDs

Color Consistency:

3-step MacAdam Ellipse binning to achieve consistent fixture-to-fixture color

Color Stability:

LED color temperature is warranted to shift no more than 200K in color temperature over a 5-year period

Color Uniformity:

RAB's range of Correlated Color Temperature follows the guidelines of the American National Standard for Specifications for the Chromaticity of Solid State Lighting (SSL) Products, ANSI C78.377-2017.

Construction

Cold Weather Starting:

Minimum starting temperature is -40°C (-40°F)

Maximum Ambient Temperature:

Suitable for use in up to 40°C (104°F)

Housing:

Precision die-cast aluminum housing and door frame

Mounting:

Easy hanging plate with hooks for ceiling mount

Lens:

Prismatic polycarbonate lens

Reflector:

Specular vacuum-metallized polycarbonate with ultra-white, 97% reflective optics

Technical Specifications (continued)

Construction

Gaskets:

High-temperature silicone

Finish:

Formulated for high durability and long-lasting color

Green Technology:

Mercury and UV free. RoHS-compliant components.

Other

Patents:

The design of GLED52 is protected by patents pending in US, Canada, China, Taiwan and Mexico

Equivalency:

Equivalent to 175W Metal Halide

Warranty:

RAB warrants that our LED products will be free from defects in materials and workmanship for a period of five (5) years from the date of delivery to the end user, including coverage of light output, color stability, driver performance and fixture finish. RAB's warranty is subject to all terms and conditions found at rablighting.com/warranty.

Buy American Act Compliance:

RAB values USA manufacturing! Upon request, RAB may be able to manufacture this product to be compliant with the Buy American Act (BAA). Please contact customer service to request a quote for the product to be made BAA compliant.

Optical

BUG Rating:

B2 U3 G1

Electrical

Drivers:

2x26W Driver, Constant Current, Class 2, 100V-277V, 50/60 Hz, 6kv Surge Protection, 720mA, 100-277VAC 0.4 Amps.

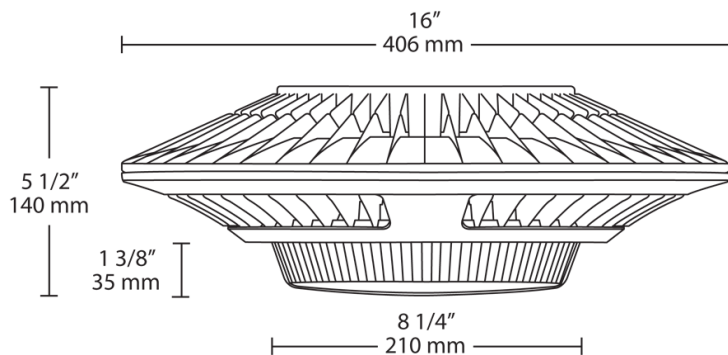
THD:

8.1% at 120V, 16.6% at 277V

Power Factor:

99.1% at 120V, 90.9% at 277V

Dimensions



Features

- Low-profile design Ideal for Parking Garages
- 52W Replaces 175W MH Luminaires
- 100,000-hour LED lifespan based on IES LM-80 results and TM-21 calculations
- Up to 25% Reduction in Fixture Count
- Lock screw provided for pendant mount

Ordering Matrix

Family	Wattage	Color Temp	Back Box	Finish	Options	Other Options
GLE52Y	52	Y				
	26 = 26W 52 = 52W 78 = 78W	Blank = 5000K (Cool) N = 4000K (Neutral) Y = 3000K (Warm)	Blank = No Backbox BB = Back Box	Blank = Bronze W = White	Blank = No Option /D10 = 0-10V Dimming /480 = 480V /480/D10 = 480V w/ 0-10V Dimming /BL = Bi-Level	Blank = Standard USA = BAA Compliant