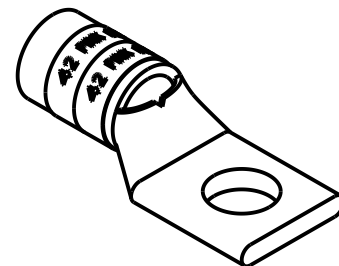
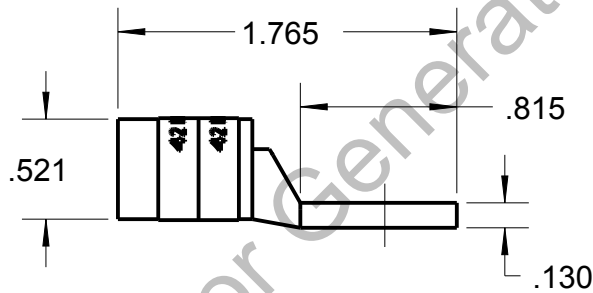
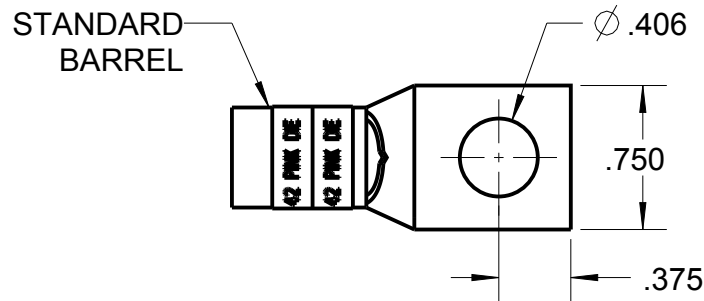


Blackburn Compression

Featuring the Color-Keyed® System

CATALOG NO. 54109NP



WIRE SIZE: 1/0
 MATERIAL: HIGH CONDUCTIVITY COPPER
 FINISH: NICKEL PLATED

GENERAL NOTES		Thomas & Betts www.tnb.com			
1. ALL DIMENSIONS ARE FOR REFERENCE ONLY. 2. DIMENSIONS IN BRACKETS [] ARE IN METRIC UNITS.					
REVISIONS		DESCRIPTION: 1 HOLE LUG			
** SEE ERN (****) FOR APPROVAL SIGNATURES & RELEASE DATE. PROJECT NO: ****					
ORIGINAL PROJECT NO / (ERN NO)	SHEET NO:	REV. NO:	DRAWING NO: WSD-003015		
/ ()	1 OF 1	0	54109NP		