

Recessed Service Floor Boxes

668-S Ultra-Shallow Floor Box

The new 668-S Ultra-Shallow Floor Box from Thomas & Betts provides a high-capacity power and data solution for shallow concrete floors. The low-profile 4-gang box is constructed of galvanized stamped steel. Removable voltage dividers enable users to customize wiring configurations by feeding two or more adjacent compartments with a single conduit. Metallic covers with durable powder-coat finish are designed to match any decor, while optional trim rings enable covers to be mounted completely flush with the floor in tile or wood floor applications.

- Low profile (2½" height) for shallow concrete pours
- 4-gang, recessed service for a high-capacity, aesthetic floor box solution
- Stamped-steel box construction
- Removable voltage dividers between compartments enable a single conduit to feed two or more adjacent compartments
- Metallic covers feature durable powder-coat paint to match any decor (black, gray, brown and beige)
- Heavy-duty cord door in the cover latches firmly in the open position to prevent damage to cables
- Optional tile trim enables flush mounting for tile and wood floor applications
- MopTite® covers meet UL scrubwater exclusion requirements for carpet, tile and wood
- Largest cubic-inch capacity of any shallow, recessed 4-gang floor box
- Additional KOs (up to 2") on the bottom of the box enable installation flexibility
- Custom device panels are available — contact technical service about these offerings

Specifications

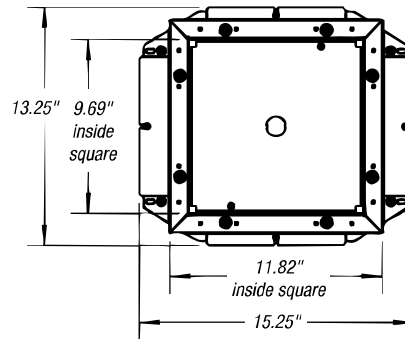
- Material: Box — Galvanized Steel; Cover — Die-Cast Zinc
- Listing: UL and CSA Listed



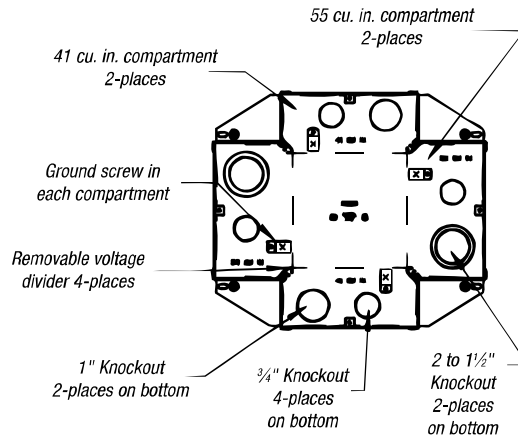
CAT. NO.	DESCRIPTION	STD. CTN.
668-S	Shallow, Concealed Service Floor Box	1

For covers and device plates, see [page A-137](#).

For communications accessories, see [page A-140](#).

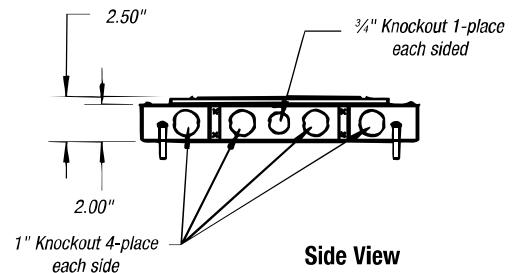


Top View



Top View — Compartment Layout

Note: Shown with Top Plate Removed



Side View