

AHG, UNJ and UNJC Flexible Luminaire Hangers

For Pendant Mount

AHG – Cl. I, Div. 2, Groups A, B, C, D
Cl. II, Div. 2, Groups F, G
Cl. III

7L

Wet Locations, NEMA 3, 3R

UNJ, UNJC – Cl. I, Div. 2, Groups A, B, C, D

Features:

- For connection to conduit hub or hub cover of supporting conduit fitting
- For incandescent, H.I.D., and fluorescent luminaires
- Cushion support for conduit stem is a universal joint permitting luminaire to swing through an angle of 8 degrees in any direction from the perpendicular
- Gasketed by means of a durable neoprene diaphragm which excludes moisture and dirt from both luminaire and conduit system

Certifications and Compliances:

- Class I, Division 2
- Class II, Division 2
- Class III
- Wet Locations
- NEMA 3, 3R

Standard Materials:

- Housing – copper-free aluminum;
Feraloy® iron alloy available upon request

Standard Finishes:

- Copper-free aluminum – natural

Size Ranges:

- Male nipple – 3/4"
- Luminaire stem – 3/4"
- Luminaire weight – 4 to 30 lbs.

AHG

Cushion Vaportight for Class I, Div. 2; Class II, Div. 2: Class III



Luminaire Stem Size*	Male Nipple Size*	Luminaire Weight (Lbs.)	Cat. #
3/4	3/4	4 to 16	AHG22104 SA
3/4	3/4	16 to 30	AHG22111 SA

Features:

- For connection to conduit hub or hub cover of supporting conduit fitting
- For incandescent, H.I.D., and fluorescent luminaires
- Supporting nipple, ball or cushion type, is a universal joint permitting luminaires to swing through an angle of 20 degrees in any direction from the perpendicular

Certifications and Compliances:

- NEC: Class I, Division 2

Standard Materials:

- Body and nipple – malleable iron
- Clamp – copper-free aluminum

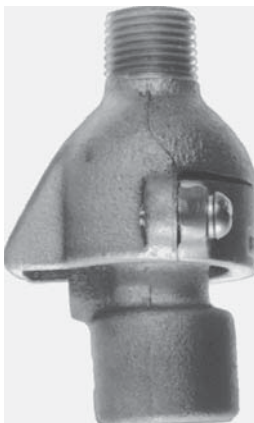
Standard Finishes:

- Malleable iron – electrogalvanized and aluminum acrylic paint
- Copper-free aluminum – natural finish

Size Ranges:

- Male nipple – 1/2" and 3/4"
- Luminaire stem – 1/2" and 3/4"
- Luminaire weight: cushion type – 6 to 48 lbs.; ball type – 125 lbs.

UNJ



Ball

Luminaire Stem Size	Male Nipple Size	Cat. #
1/2	1/2	UNJ1
3/4	3/4	UNJ2

UNJC



Cushion

Luminaire Stem Size*	Male Nipple Size*	Luminaire Weight (Lbs.)	Cat. #
3/4	3/4	6 to 12	UNJC28
3/4	3/4	12 to 24	UNJC216
1/2	1/2	24 to 48	UNJC132
3/4	3/4	24 to 48	UNJC232

*1/2" connection can be made by using reducers.

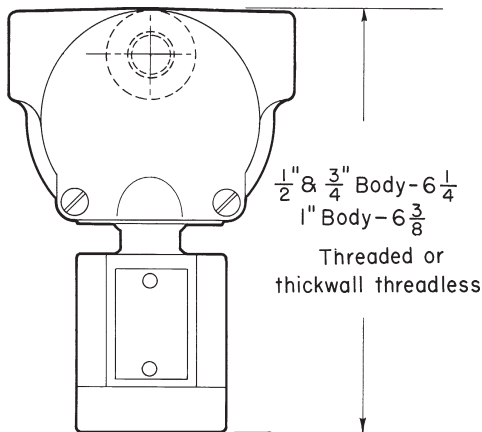


7L Flexible Luminaire Hangers

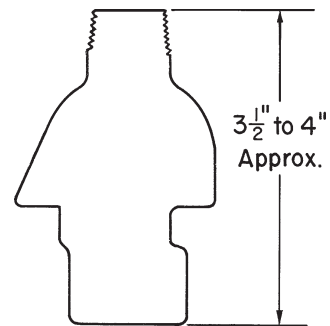
For Pendant Mount Dimensions

Dimensions

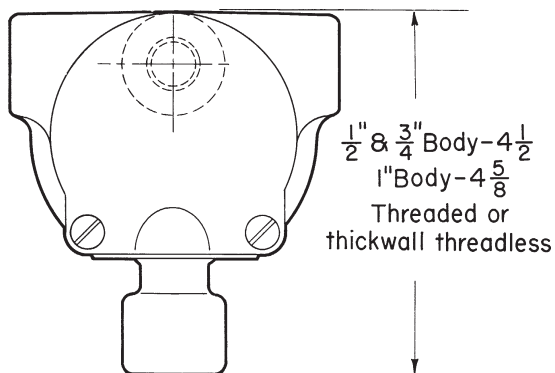
In Inches:



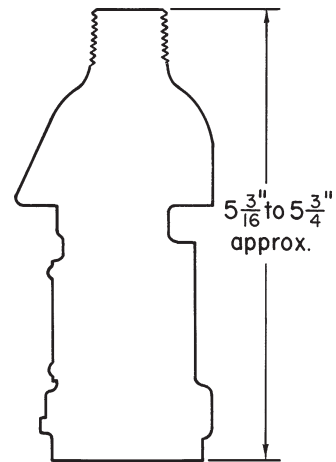
AL Series - Cushion



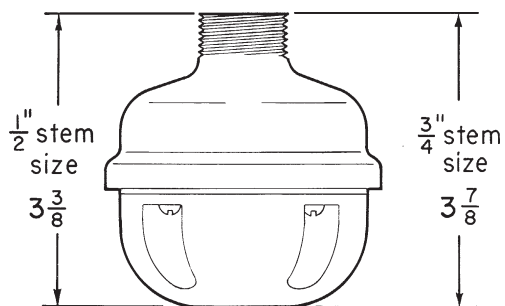
UNJ



AL Series - Ball



UNJC



AHG

7L