

Thomas & Betts

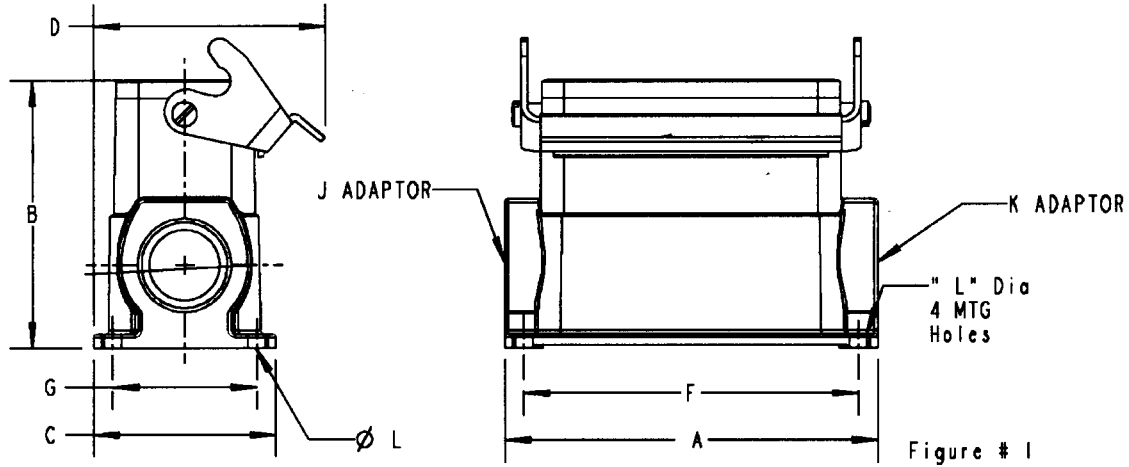


Figure # 1

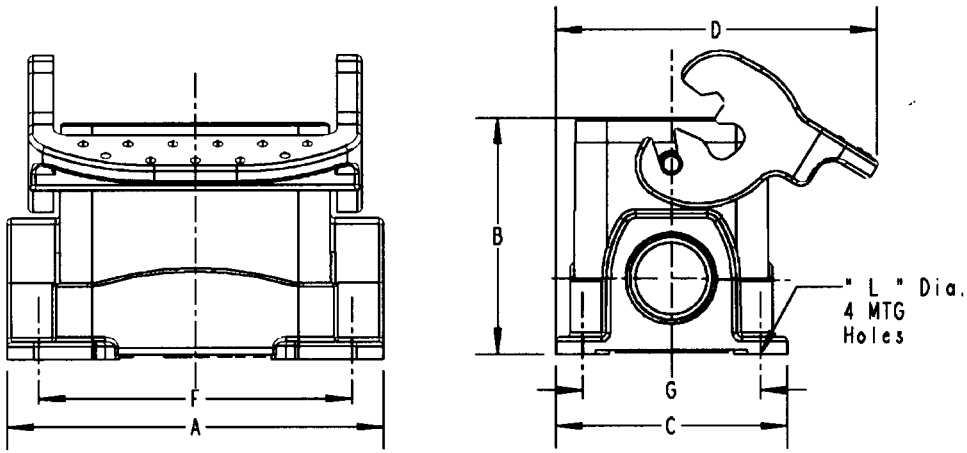


Figure # 2

GENERAL NOTES

1. ALL DIMENSIONS ARE FOR REFERENCE ONLY.
2. DIMENSIONS IN BRACKETS [] ARE IN METRIC UNITS.

REVISIONS

1 SEE ERN (2012763)
FOR APPROVAL SIGNATURES
& RELEASE DATE. 05/23/11
PROJECT NO: TM400024

Thomas & Betts
www.tnb.com

DESCRIPTION:

**BASES-SURFACE MOUNT
WITH SINGLE LEVER**

ORIGINAL PROJECT NO / (ERN NO)

TM400024 / 2012527

SHEET NO:

1 OF 2

REV. NO:

1

DRAWING NO:

WSD-000601

BB424MV	B24-D64	5.67 [144]	2.67 [68]	2.24 [57]	2.95 [75]		5.20 [132]	1.77 [45]		3/4		.22 [5.5]	2
BB416MV	B16-C 6-D40	4.61 [117]	2.67 [68]	3.31 [84]	2.95 [75]		4.13 [105]	1.77 [45]		3/4		.22 [5.5]	2
BB506MV	B6	3.30 [84]	2.67 [68]	2.04 [52]	2.83 [72]		2.76 [70]	2.04 [52]		1/2	1/2	.22 [5.5]	2
BB406MV	B6	3.30 [84]	2.67 [68]	2.04 [52]	2.83 [72]		2.76 [70]	2.04 [52]		1/2		.22 [5.5]	2
BB548	B48-D128	5.71 [145]	3.98 [101]	4.72 [120]	6.50 [165]	5.83 [148]	4.37 [111]	4.17 [106]	0.47 [12]	1	1	.26 [6.5]	1
BB448	B48-D128	5.71 [145]	3.98 [101]	4.72 [120]	6.50 [165]	5.83 [148]	4.37 [111]	4.17 [106]	0.47 [12]	1		.26 [6.5]	1
BB524	B24-D64	5.67 [144]	2.64 [67]	2.24 [57]	2.91 [74]	5.31 [135]	5.20 [132]	1.77 [45]	0.20 [5]	3/4	3/4	.22 [5.5]	1
BB424	B24-D64	5.67 [144]	2.64 [67]	2.24 [57]	2.91 [74]	5.31 [135]	5.20 [132]	1.77 [45]	0.20 [5]	3/4		.22 [5.5]	1
BB516	B16-C 6-D40	4.61 [117]	2.64 [67]	2.24 [57]	2.91 [74]	4.27 [108.5]	4.13 [105]	1.77 [45]	0.20 [5]	3/4	3/4	.22 [5.5]	1
BB510	B10	3.66 [93]	2.05 [52]	2.04 [52]	2.81 [71.5]	3.46 [88]	3.23 [82]	1.57 [40]	0.20 [5]	1/2	1/2	.22 [5.5]	1
BB410	B10	3.66 [93]	2.05 [52]	2.04 [52]	2.81 [71.5]	3.46 [88]	3.23 [82]	1.57 [40]	0.20 [5]	1/2		.22 [5.5]	1
T & B CAT. No.	INSERTS	A	B	C	D	E	F	G	H	J	K "	L	FIG. #

Thomas & Betts
www.tnb.com

DESCRIPTION:

**BASES-SURFACE MOUNT
WITH SINGLE LEVER**

SEE PAGE #1 FOR REVISIONS

SHEET NO:

2 OF 2

REV. NO:

1

DRAWING NO:

WSD-000601

THIS DRAWING IS INTENDED FOR DESCRIPTIVE PURPOSES ONLY. AND THE RIGHT IS RESERVED TO DEVIATE FROM ANY OF THE DETAILS SHOWN HEREON.
© Thomas & Betts - Proprietary. All Rights Reserved