

Twist-Lock® Devices

20A, 125V AC, 2 Pole, 3 Wire Grounding

Safety-Shroud® Receptacle

HUBBELL

Features

- Accepts Hubbell shrouded and standard NEMA locking plugs
- Alignment arrows with lock and unlock symbols provide a visual indication that devices are properly connected
- Catalog number and color coded voltage rating are visible even when in use
- Engineered thermoplastic housing is impact and corrosion resistant, making it suitable for heavy-duty industrial environments



Ordering Information

Description	Device Color	UPC	Catalog Number
RPT surface mounting, one gang.	Gray	783585234021	HBL2310SR

Standards

Listed to UL 498
Fed. Spec. W-C-596
Certified to CSA C22.2 No.42

Specifications

Housing / Flange	Gray RPT
Terminal Retainer	Clear polycarbonate
Body Contact Carrier	Natural (white) nylon
Body Holding Screws	Steel, zinc plated
Contacts	Brass

Performance

Electrical
Current Interrupting Certified for current interrupting at full rated current

Dielectric Voltage Withstands 2,000V minimum

Mechanical
Terminal Accommodation #16 AWG - #8 AWG solid or stranded copper wire only.
Terminal Identification Terminals identified in accordance with UL 498

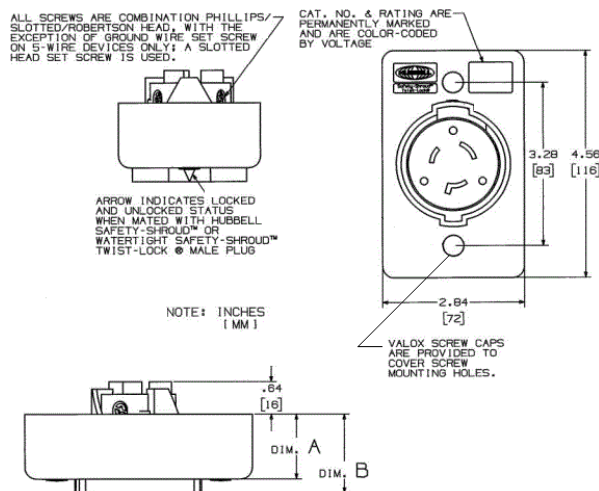
Environmental
Flammability V2 or better per UL94/CSA 22.2 No.0.17
Moisture Resistance IP20 Suitability
Operating Temperatures Maximum Continuous 75°C; Minimum -40°C (w/o impact)

Accessories

Plug **HBL2311S**

Online Resources

eCatalog



Dimensions in Inches (mm)

Hubbell Wiring Device-Kellems • Hubbell Incorporated (Delaware) • 40 Waterview Drive • Shelton, CT 06484

Phone (800) 288-6000 • Fax (800) 255-1031 • Specifications subject to change without notice.

