

# **BALDOR**® • ***RELIANCE***

## **Product Information Packet**

# **CEWDM23934T**

**20HP,1765RPM,3PH,60HZ,256TC,3952M,TEFC**

Part Detail							
Revision:	AN	Status:	PRD/A	Change #:		Proprietary:	No
Type:	AC	Elec. Spec:	39WGW766	CD Diagram:	CD0180	Mfg Plant:	
Mech. Spec:	39R098	Layout:	39LYR098	Poles:	04	Created Date:	
Base:	RG	Eff. Date:	09-01-2017	Leads:	9#12		

Specs			
Catalog Number:	CEWDM23934T	Front Shaft Indicator:	None
Enclosure:	TEFC	Heater Indicator:	No Heater
Frame:	256TC	Insulation Class:	F
Frame Material:	Steel	Inverter Code:	Inverter Ready
Output @ Frequency:	20.000 HP @ 60 HZ	KVA Code:	H
Synchronous Speed @ Frequency:	1800 RPM @ 60 HZ	Lifting Lugs:	Standard Lifting Lugs
Voltage @ Frequency:	460.0 V @ 60 HZ	Locked Bearing Indicator:	Locked Bearing
	230.0 V @ 60 HZ	Motor Lead Quantity/Wire Size:	9 @ 12 AWG
XP Class and Group:	None	Motor Lead Exit:	Ko Box
XP Division:	Not Applicable	Motor Lead Termination:	Flying Leads
Agency Approvals:	UR	Motor Type:	3952M
	CSA EEV	Mounting Arrangement:	F1
	CSA	Power Factor:	84
Auxillary Box:	No Auxillary Box	Product Family:	Wash Down
Auxillary Box Lead Termination:	None	Pulley End Bearing Type:	Sealed Bearing
Base Indicator:	Rigid	Pulley Face Code:	C-Face
Bearing Grease Type:	Polyrex EM (-20F +300F)	Pulley Shaft Indicator:	Standard
Blower:	None	Rodent Screen:	None

<b>Current @ Voltage:</b>	24.000 A @ 460.0 V	<b>Shaft Extension Location:</b>	Pulley End
	48.000 A @ 230.0 V	<b>Shaft Ground Indicator:</b>	No Shaft Grounding
	52.000 A @ 208.0 V	<b>Shaft Rotation:</b>	Reversible
<b>Design Code:</b>	A	<b>Shaft Slinger Indicator:</b>	Shaft Slinger
<b>Drip Cover:</b>	No Drip Cover	<b>Speed Code:</b>	Single Speed
<b>Duty Rating:</b>	CONT	<b>Motor Standards:</b>	NEMA
<b>Electrically Isolated Bearing:</b>	Not Electrically Isolated	<b>Starting Method:</b>	Direct on line
<b>Feedback Device:</b>	NO FEEDBACK	<b>Thermal Device - Bearing:</b>	None
<b>Front Face Code:</b>	Standard	<b>Thermal Device - Winding:</b>	None
		<b>Vibration Sensor Indicator:</b>	No Vibration Sensor

<b>Nameplate NP1669E</b>											
CAT.NO.	CEWDM23934T										
SPEC.	39R098W766G1										
HP	20										
VOLTS	230/460										
AMP	48/24										
RPM	1765										
FRAME	256TC				HZ	60		PH	3		
SER.F.	1.15			CODE	H		DES	A		CLASS	F
NEMA-NOM-EFF	93			PF	84						
RATING	40C AMB-CONT										
CC	010A				USABLE AT 208V			52			
DE	6309				ODE	6208					
ENCL	TEFC			SN							
BLANK											

**AC Induction Motor Performance Data**

Record # 32188 - Typical performance - not guaranteed values

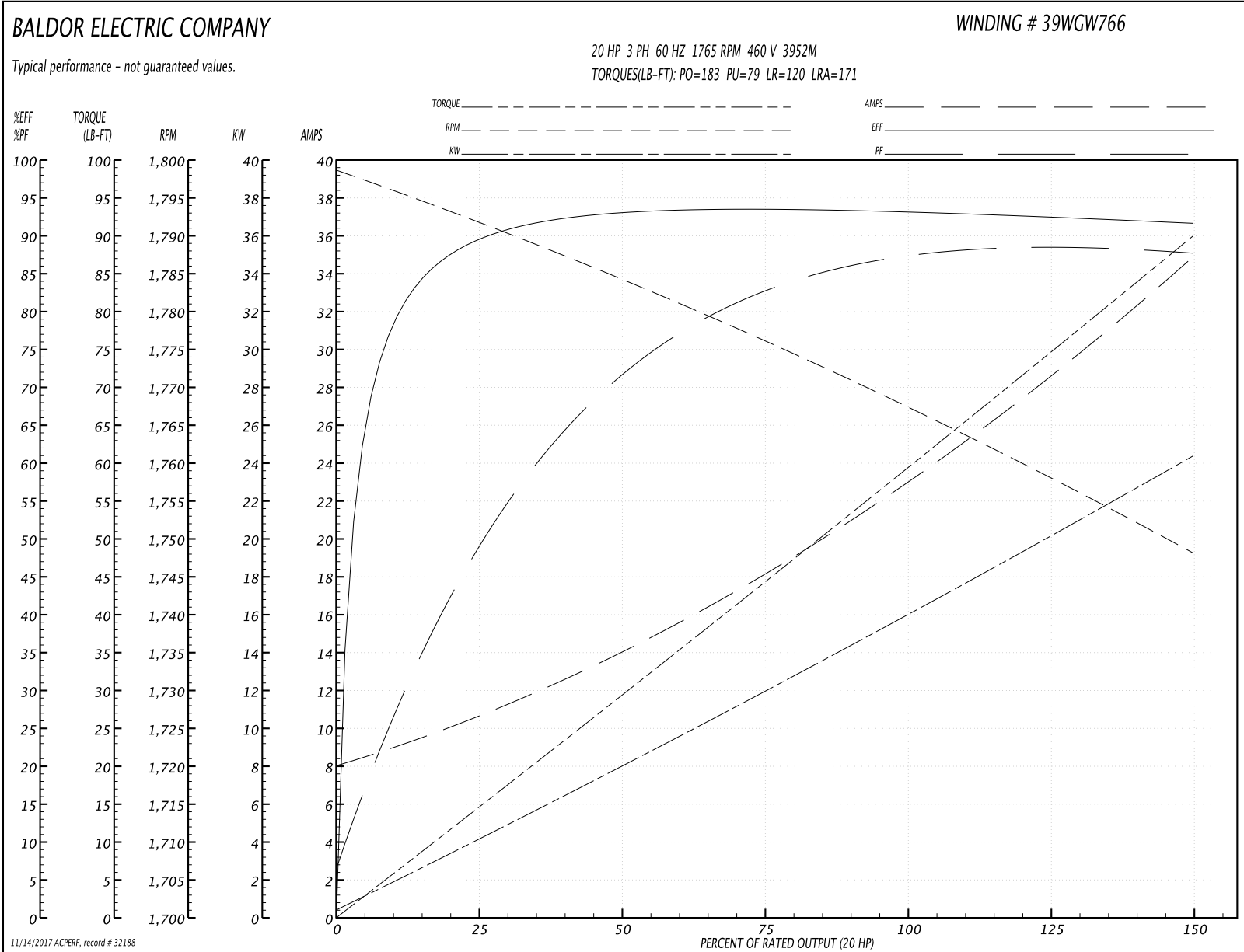
<b>Winding:</b> 39WGW766-R006	<b>Type:</b> 3952M	<b>Enclosure:</b> TEFC
-------------------------------	--------------------	------------------------

Nameplate Data				460 V, 60 Hz: High Voltage Connection	
Rated Output (HP)	20			Full Load Torque	60 LB-FT
Volts	230/460			Start Configuration	direct on line
Full Load Amps	48/24			Breakdown Torque	183 LB-FT
R.P.M.	1765			Pull-up Torque	79 LB-FT
Hz	60	Phase	3	Locked-rotor Torque	120 LB-FT
NEMA Design Code	A	KVA Code	H	Starting Current	171 A
Service Factor (S.F.)	1.15			No-load Current	8.5 A
NEMA Nom. Eff.	93	Power Factor	84	Line-line Res. @ 25°C	0.4083 Ω
Rating - Duty	40C AMB-CONT			Temp. Rise @ Rated Load	70°C
S.F. Amps				Temp. Rise @ S.F. Load	84°C
				Locked-rotor Power Factor	32.6
				Rotor inertia	2.27 LB-FT <sup>2</sup>

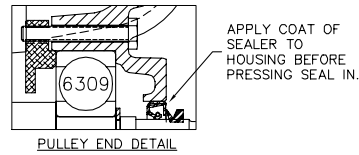
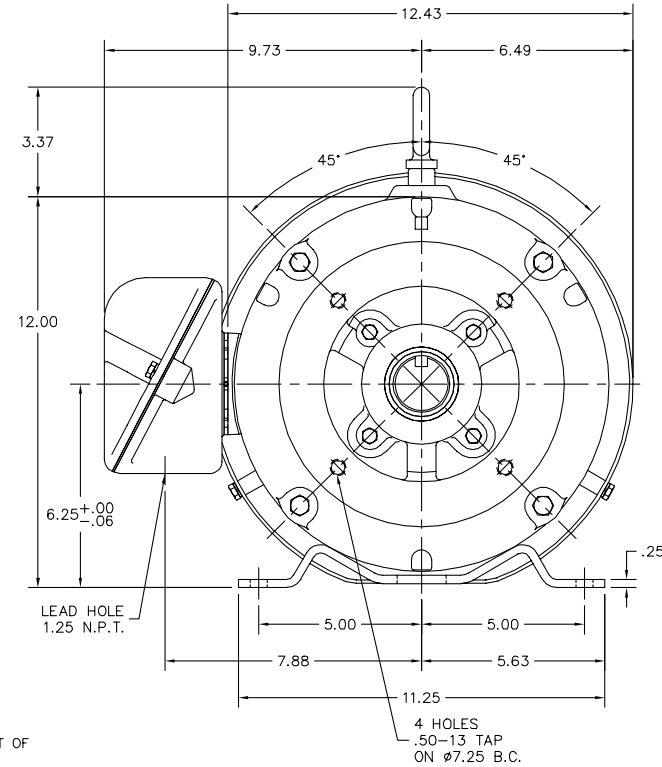
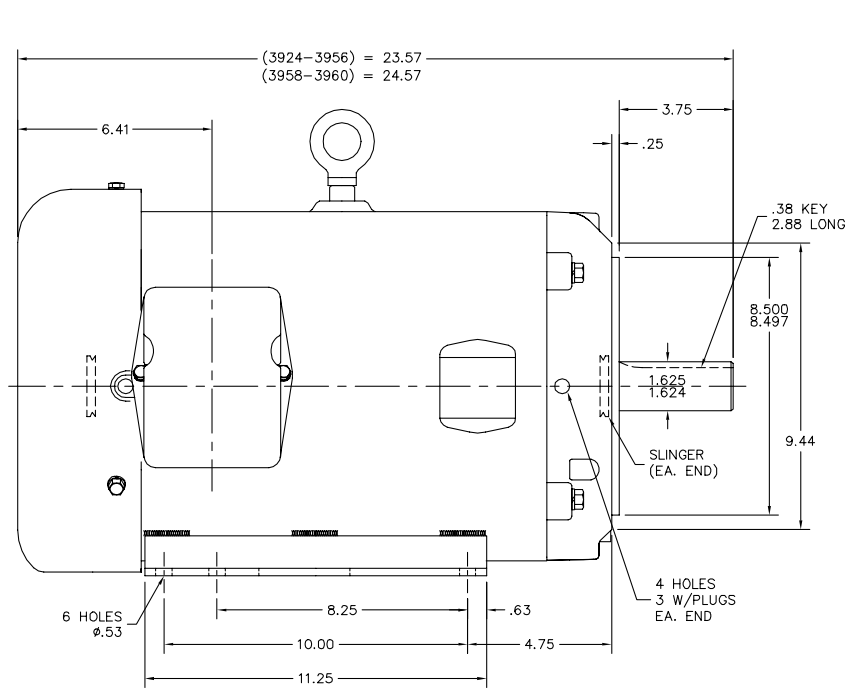
Load Characteristics 460 V, 60 Hz, 20 HP

% of Rated Load	25	50	75	100	125	150	S.F.
Power Factor	45	67	79	84	86	87	85
Efficiency	89.6	92.9	93.5	93.2	92.5	91.6	92.8
Speed	1791	1784	1776	1767	1758	1748	1762
Line amperes	10.17	13.79	18.39	23.89	28.78	34.6	26.82

Performance Graph at 460V, 60Hz, 20.0HP Typical performance - Not guaranteed values



39LYR098



CUSTOMER IS RESPONSIBLE FOR DETERMINING THAT BALDOR'S PRODUCT WILL PERFORM SUITABLY IN THE INTENDED APPLICATION.

REV. DESC: ADD MAX STACK OF 3960M	VERSION: 07	TDR: 000001017799
REV. LTR: G	REvised: 08:34:05 03/01/2017	BY: ENSHABO
FILE: \AAA\00093\157		
MTL: -		

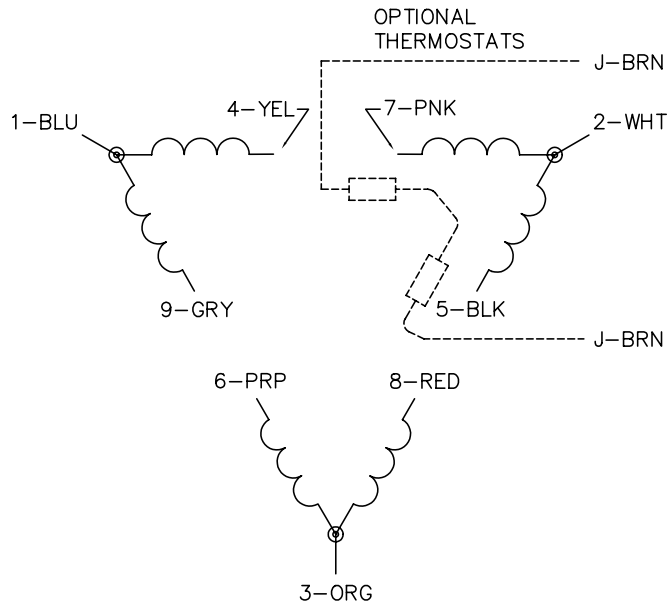
**BALDOR**

HOR TEFC 254-6TC - HOSE DOWN (SP#9)

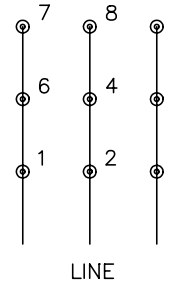
SH 1 of 1

39LYR098

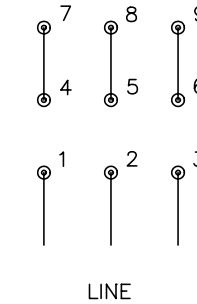
CD0180



LOW VOLTAGE  
(2D)



HIGH VOLTAGE  
(1D)



NOTES:

1. INTERCHANGE ANY TWO LINE LEADS TO REVERSE ROTATION.
2. OPTIONAL THERMOSTATS ARE PROVIDED WHEN SPECIFIED.
3. ACTUAL NUMBER OF INTERNAL PARALLEL CIRCUITS MAY BE A MULTIPLE OF THOSE SHOWN ABOVE.
4. LEAD COLORS ARE OPTIONAL. LEADS MUST ALWAYS BE NUMBERED AS SHOWN.

REV. DESC: REVISE TO SHOW OPTIONAL COLORS			
REV. LTR: C	BY: JLP	REVISED: 01/21/99 2:28	TDR: 0171435
0810D0		FILE: AAA00005148	MDL: -
		MTL: -	

**BALDOR ELECTRIC Co.**

3PH, DV, 9 LEADS, DELTA CONNECTION

CD0180