

BALDOR® • ***RELIANCE***

Product Information Packet

CDPWD3306

.25HP, 1750RPM, DC, 56C, 3320P, TENV, F1

Part Detail							
Revision:	AB	Status:	PRD/A	Change #:		Proprietary:	No
Type:	DC	Prod. Type:	3320P	Elec. Spec:	33WGZ132	CD Diagram:	CD0194
Enclosure:	TENV	Mfg Plant:		Mech. Spec:	33-2154	Layout:	33LY2154
Frame:	56C	Mounting:	F1	Poles:	00	Created Date:	
Base:	RG	Rotation:	R	Insulation:	F	Eff. Date:	11-05-2015
Field Type:		Literature:		Elec. Diagram:		Replaced By:	

Specs

Enclosure:	TENV		
Frame:	56C		
Frame Material:	Steel		
Agency Approvals:	CE		
	CSA		
	UR		
Base Indicator:	Rigid		
Bearing Grease Type:	Polyrex EM (-20F +300F)		
Drip Cover:	No Drip Cover		
Duty Rating:	CONT		
Feedback Device:	NO FEEDBACK		
Heater Indicator:	No Heater		
Insulation Class:	F		
Lifting Lugs:	No Lifting Lugs		
Motor Lead Quantity/Wire Size:	2 @ 18 AWG		
Motor Lead Exit:	Ko Box		

Motor Lead Termination:	Flying Leads		
Mounting Arrangement:	F1		
Product Family:	Wash Down		
Pulley End Bearing Type:	Sealed Bearing		
Shaft Extension Location:	Pulley End		
Shaft Ground Indicator:	No Shaft Grounding		
Shaft Rotation:	Reversible		
Shaft Slinger Indicator:	Shaft Slinger		
Motor Standards:	NEMA		

Nameplate NP1509			
CAT.NO.	CDPWD3306		
SPEC.	33-2154Z132		
HP	.25	ENCL	TENV
RPM	1750		
FRAME	56C	TYPE	3320P
ARM V	180	ARM A	1.25
FLD V		FLD A	
INSUL	F	AMB.	40
DUTY	CONT	SUPPLY	1.3
BRG/DE	6203	BRG/ODE	6203
BRUSHES	2/BP5011CV01		
		BLANK	
SER.			
BLANK			
APRV-CSA	<input type="checkbox"/>	APRV-UL	<input type="checkbox"/>
		APRV-CE	<input type="checkbox"/>

DC Motor Performance Data

Record # 2012 - Typical performance - not guaranteed values

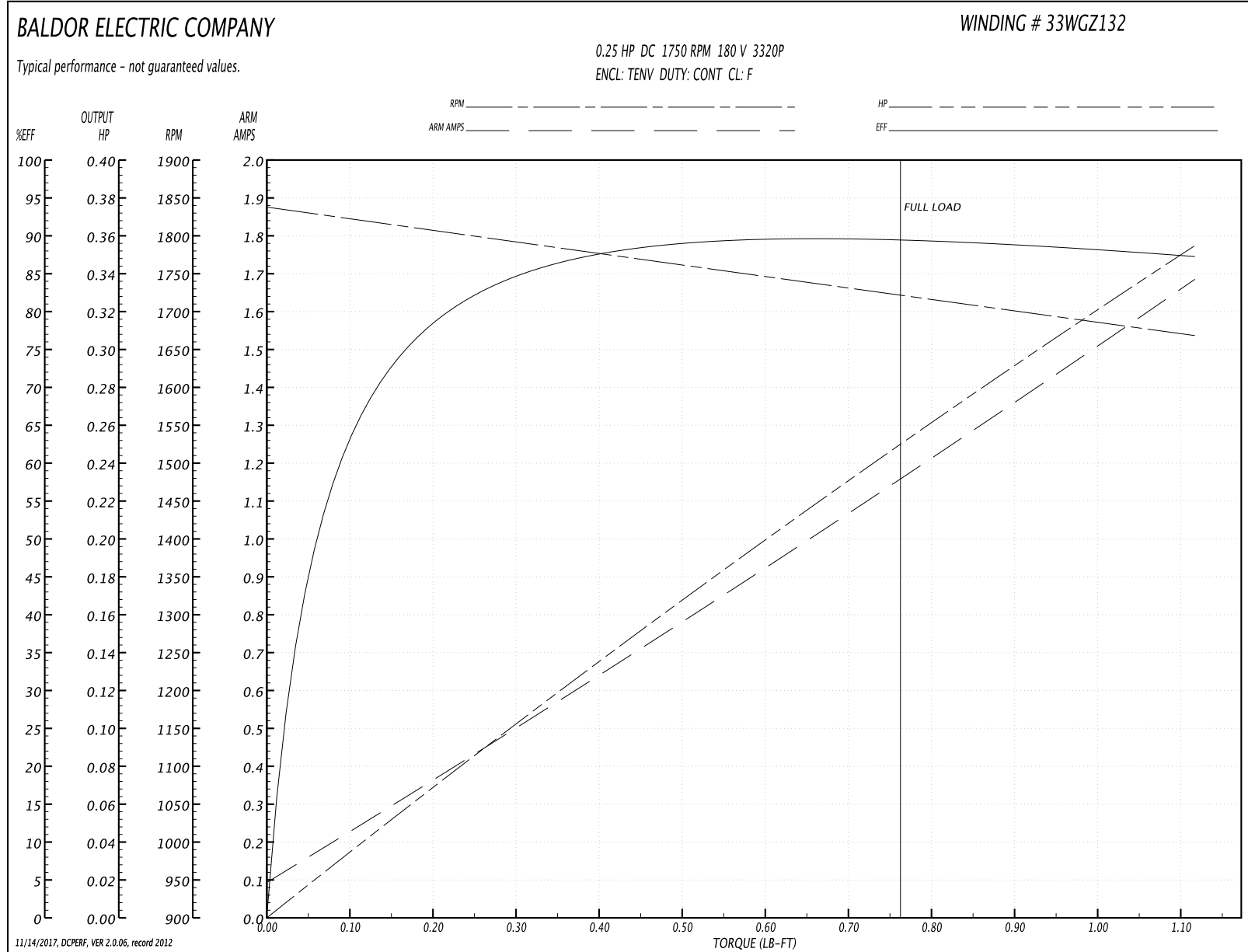
Winding: 33WGZ132-R006	Type: 3320P	Enclosure: TENV
-------------------------------	--------------------	------------------------

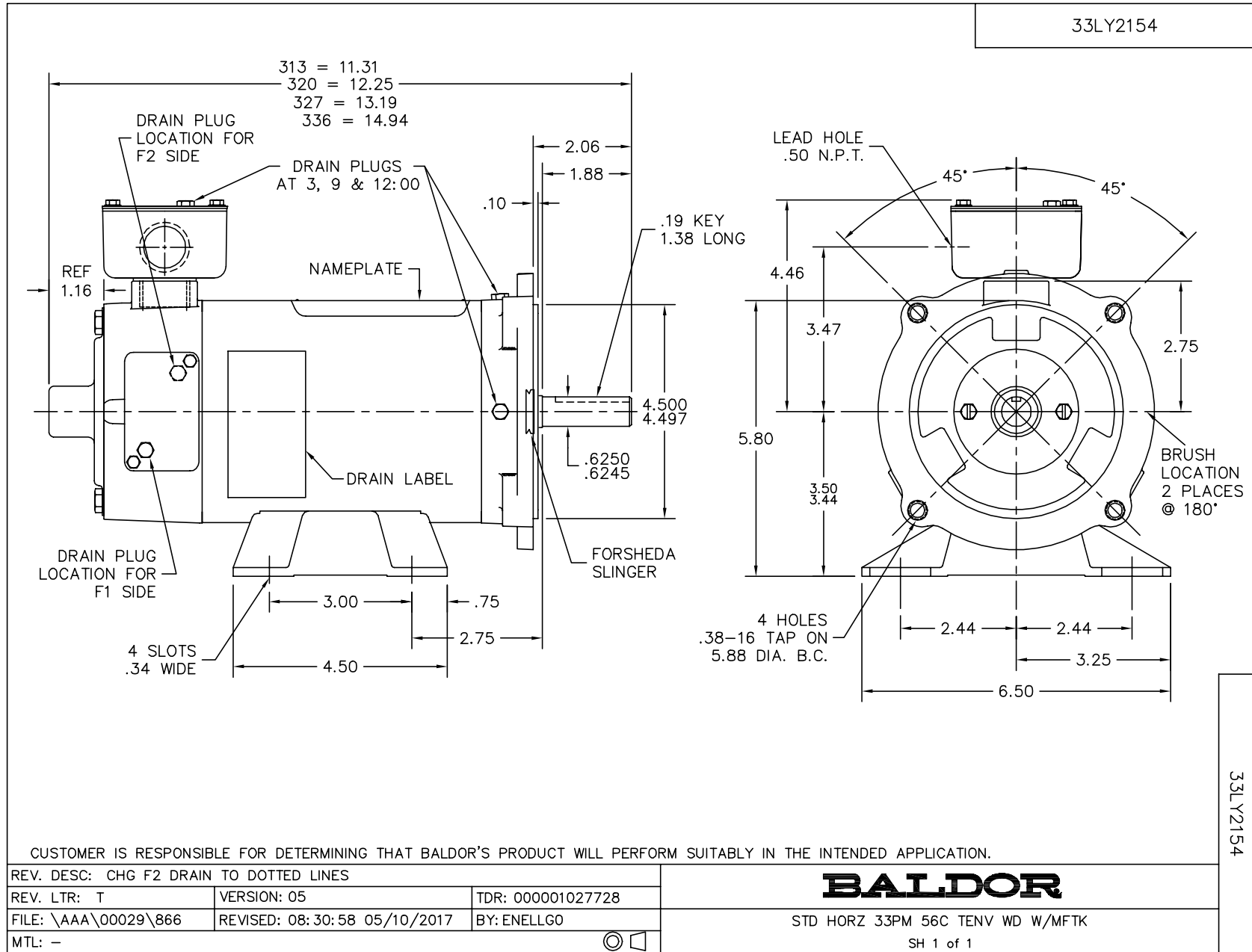
Nameplate Data		General Characteristics	
Rated Output (HP)	0.25	Armature Resistance @ 25°C	8.54 Ω
R.P.M.	1750		
Armature Volts	180	Voltage Constant	98.01 v/krpm
Armature Amps	1.25		
Field Volts		Armature Inductance	60.59301 mH
Field Amps		Armature Inertia	4.68 LI ²
Rating - Duty	40C AMB-CONT		
Form Factor	1.3		

Load Characteristics at 180 Armature Volts

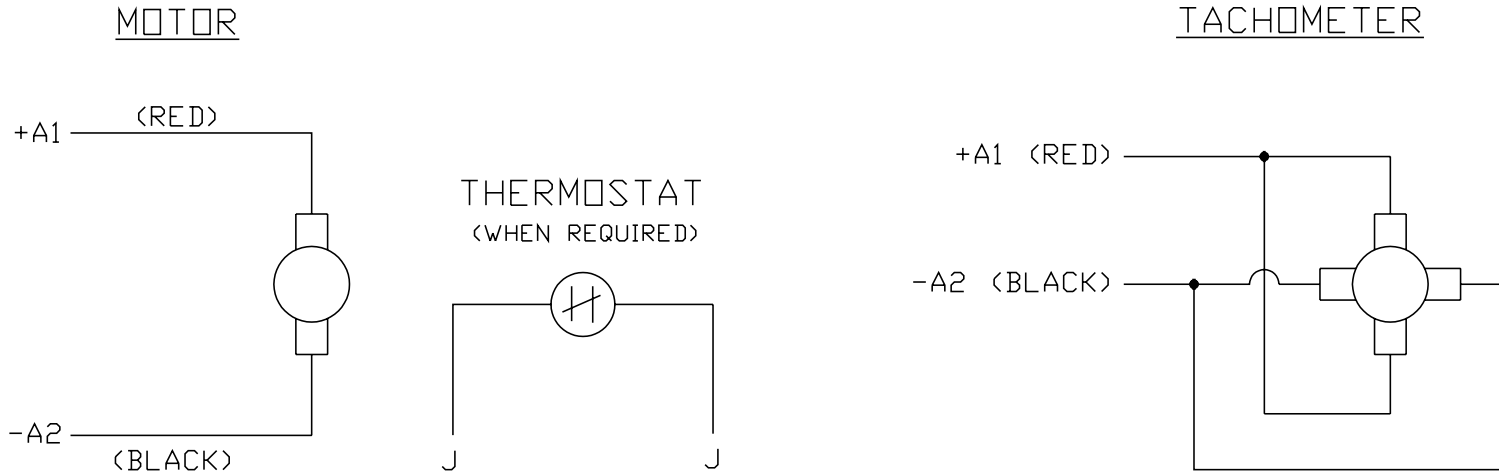
Load Point	1	2	3	4	5	6	7
Armature Amps	0.1	0.35	0.61	0.87	1.15	1.43	1.68
R.P.M.	1830	1821	1779	1750	1720	1690	1673
Torque (LB-FT)	0	0.193	0.387	0.559	0.752	0.945	1.117

Performance Graph at 180.0 Arm V, 0.25HP Typical performance - Not guaranteed values





CD0194



NOTES:

1. CCW ROTATION AS SHOWN FACING COMMUTATOR END. TO REVERSE MOTOR ROTATION OR TACHOMETER OUTPUT POLARITY INTERCHANGE LEADS A1(RED) & A2(BLACK)
2. LEAD COLORS FOR REFERENCE ONLY & NOT SPECIFIED BY THIS DRAWING. LEAD COLORS SPECIFIED BY LAYOUT DRAWING & BILL OF MATERIAL ONLY.

MATL: -			
REV:	E	ADDED NOTE "LEAD COLORS FOR REFERENCE ONLY &..."	
#61000		SCALE: -	BY: CK
CD0194		REVISD: 07/28/95	TDR: 0078737
		FILE: AAA00004503	

BALDOR ELECTRIC Co.

CD TYPE P DC PERMANENT MAGNET MOTORS AND TACHOMETERS

CD0194