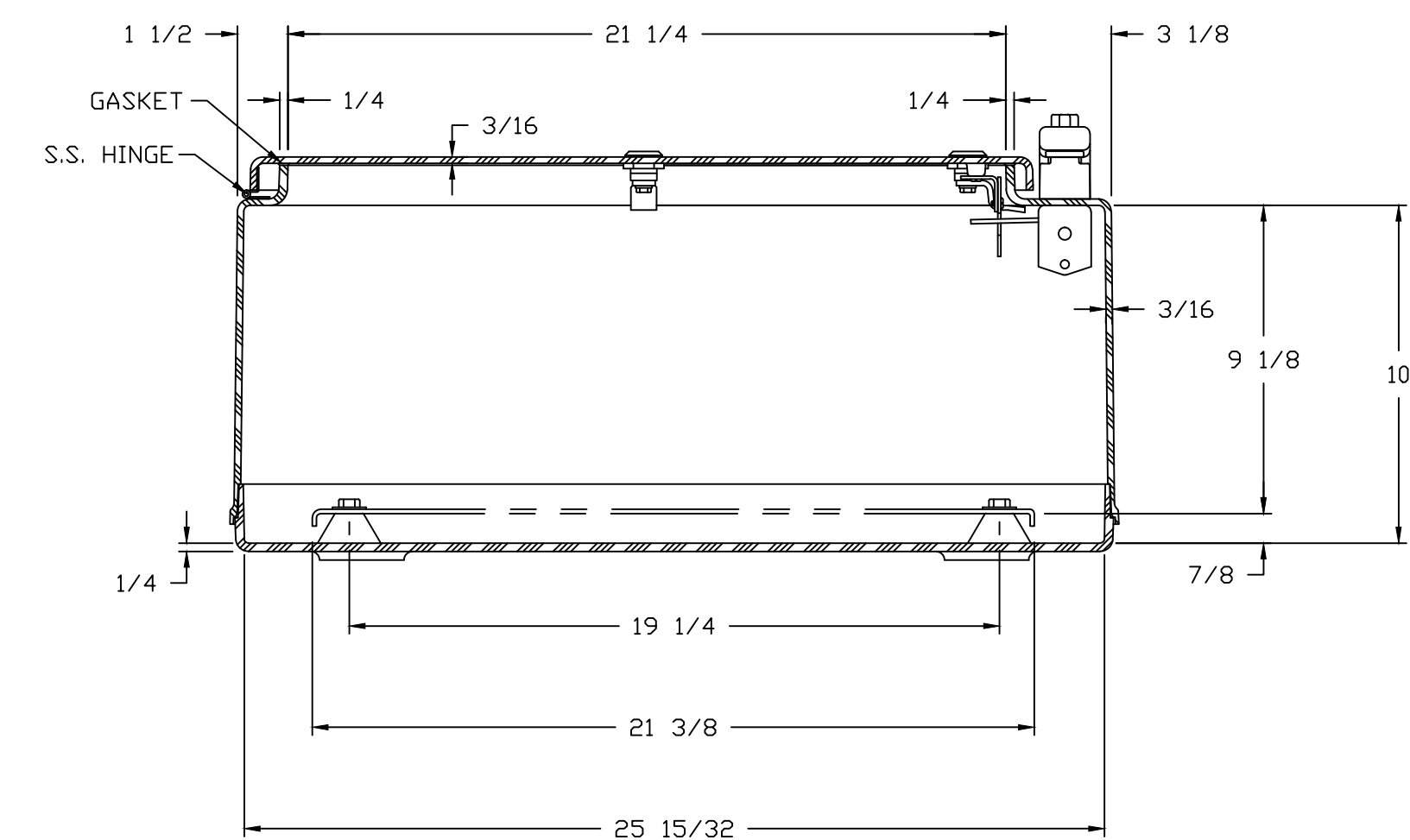
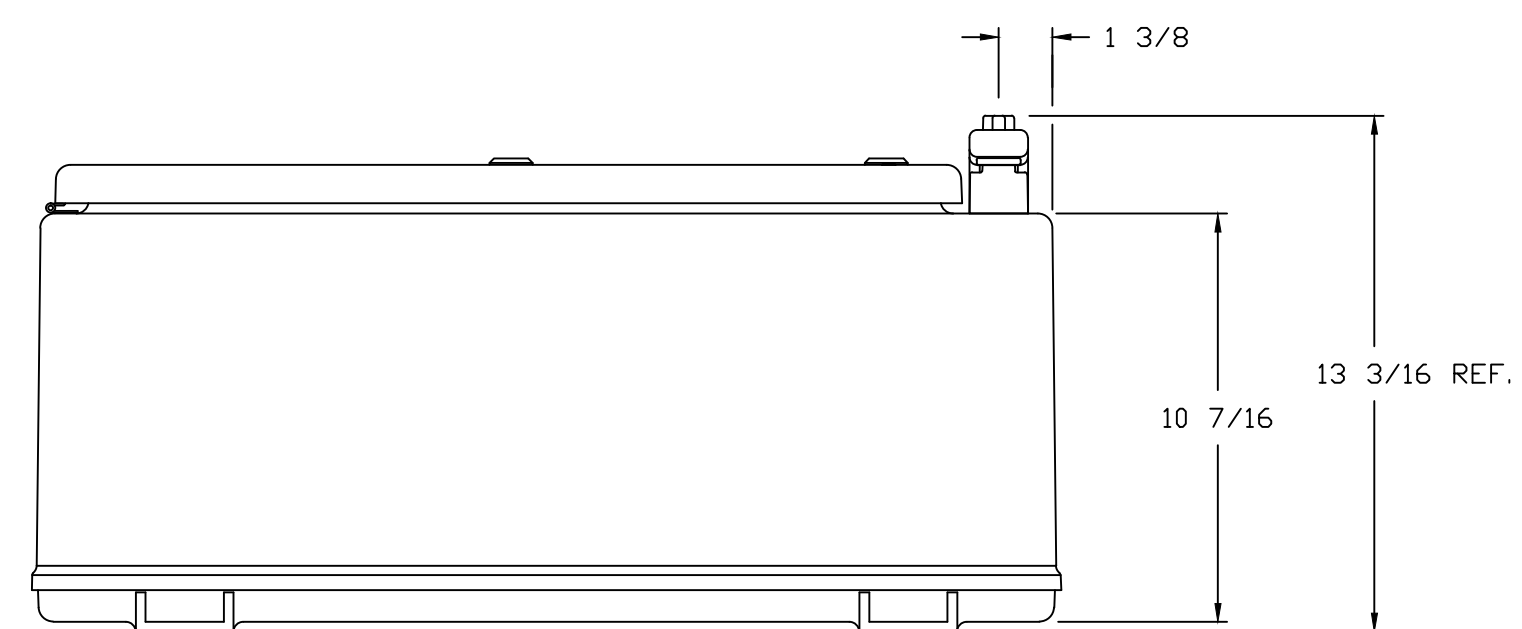



SECTION B-B



SECTION A-A

NOTES:

NEMA 4X		TOLERANCES UNLESS SPECIFIED		DECIMAL ±.010	FRACTIONAL ± 1/16
COLOR: GLACIER GRAY RR1013					
MATERIAL	F.R. POLYESTER FIBERGLASS	DR. BY	DATE	 BELDING, MICHIGAN 48809	
LET.	REVISION RECORD	GF	01/08/92		
		CHK. BY	DATE	AutoCAD DWG. FILE C3024	
		APD. BY	DATE	CUSTOMER	
		SCALE	DO NOT SCALE	PART NAME	PART NO.
				ENCLOSURE	C3024