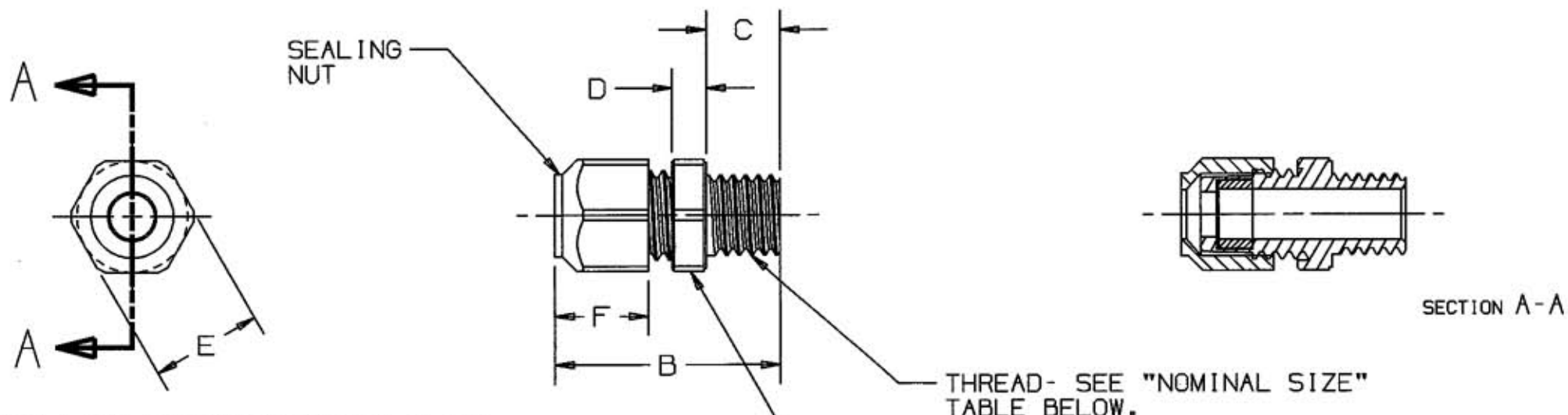


M-9043 1

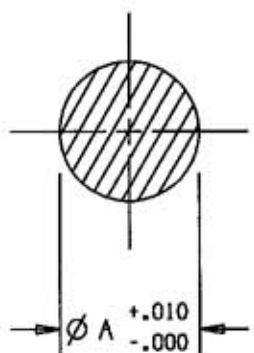


1. MATL: 6/6 NYLON WITH BUNA N GLAND.
2. TEMPERATURE RANGE: -22° F (-30° C) TO 212° F (100° C)
FLAMMABILITY RATING: 94V-2
MATERIAL TEMPERATURE INDEX: 125° C.
MAX. TEMPERATURE ON THE PART SHALL NOT EXCEED 105° C.
3. COLOR CODE:
GRAY CAT. NO. LAST LETTER - G
BLACK CAT. NO. LAST LETTER - B
4. CORD CONNECTORS ARE HALOGEN AND SILICON FREE. PROTECTION CLASS: IP 68 PER DIN 40050 UP TO 70 PSI (5 BAR) WATER PRESSURE.
5. UL LISTED AND CSA CERTIFIED.
6. DIMENSIONS ARE IN INCHES AND METRIC.
7. TOLERANCE: .XX±.015 .XXX±.005 ANG.±2°
GENERAL TOLERANCE DOES NOT APPLY.

NOMINAL SIZE AND AGENCY APPROVALS IDENTIFIERS SHALL BE PERMANENTLY MARKED IN THESE LOCATIONS.

PART DIMENSIONS

CAT. NO.	NOMINAL SIZE	CABLE DIA. INCHES		CABLE DIA. METRIC		APPROVALS			Ø A CLEARANCE HOLE		-B- MAXIMUM LENGTH		-C- THREAD LENGTH		-D- WRENCHING NUT THK.		-E- WRENCHING FLATS		-F- SEALING NUT HGT.	
		MIN	MAX	MIN	MAX	CSA	UL	UR	IN.	MM	IN.	MM	IN.	MM	IN.	MM	IN.	MM	IN.	MM
		SECM12B	M 12	.115	.250	2.92	6.4	X	X		.473	12.0	1.16	29.5	0.32	8.1	0.21	5.3	0.63	16.0
SECM12G	M 12	.115	.250	2.92	6.4	X	X		.473	12.0	1.16	29.5	0.32	8.1	0.21	5.3	0.63	16.0	0.49	12.4
SECM16B	M 16	.105	.312	2.67	7.9	X	X		.630	16.0	1.25	31.8	0.32	8.1	0.21	5.3	0.83	21.0	0.55	14.0
SECM16G	M 16	.105	.312	2.67	7.9	X	X		.630	16.0	1.25	31.8	0.32	8.1	0.21	5.3	0.83	21.0	0.55	14.0
SECM20B	M 20	.170	.450	4.32	11.4	X	X		.787	20.0	1.53	38.9	0.41	10.4	0.21	5.3	0.98	24.9	0.66	16.8
SECM20G	M 20	.170	.450	4.32	11.4	X	X		.787	20.0	1.53	38.9	0.41	10.4	0.21	5.3	0.98	24.9	0.66	16.8
SECM25B	M 25	.485	.709	12.32	18.0	X	X		.985	25.0	1.89	48.0	0.52	13.2	0.25	6.3	1.30	33.0	0.85	21.6
SECM25G	M 25	.485	.709	12.32	18.0	X	X		.985	25.0	1.89	48.0	0.52	13.2	0.25	6.3	1.30	33.0	0.85	21.6
SECM32B	M 32	.590	1.000	14.99	25.4	X	X		1.260	32.0	2.23	56.6	0.58	14.7	0.30	7.6	1.73	43.9	1.05	26.7
SECM32G	M 32	.590	1.000	14.99	25.4	X	X		1.260	32.0	2.23	56.6	0.58	14.7	0.30	7.6	1.73	43.9	1.05	26.7
SECM40B	M 40	.865	1.260	21.97	32.0	X	X		1.575	40.0	2.39	60.7	0.48	12.2	0.30	7.6	2.05	52.1	1.19	30.2
SECM40G	M 40	.865	1.260	21.97	32.0	X	X		1.575	40.0	2.39	60.7	0.48	12.2	0.30	7.6	2.05	52.1	1.19	30.2



SUGGESTED CLEARANCE HOLE FOR NON-THREADED MOUNTING

CODE 74545

DESCRIPTION	MATERIAL	FINISH
CORD CONNECTOR	SEE NOTES	

1	RELEASED PER DCN#10665	JVD	3-10-03
SYM	REVISIONS	APP	DATE

THE DESIGN AND DIMENSIONS OF THE PRODUCT SHOWN ON THIS DRAWING ARE SUBJECT TO CHANGE WITHOUT NOTICE

TITLE
METRIC TYPE CORD CONNECTORS
CUSTOMER DRAWING

TOLERANCES UNLESS OTHERWISE SPECIFIED	WIRING DEVICE-KELLEMS HUBBELL INCORPORATED BRIDGEPORT, CT
FRACTIONS ± 1/64	DR. BY PAC
DECIMALS ± .005	APP. BY JVD
ANGLES ± 2°	TR. BY
	SCALE 1-1
	CHK'D BY
	DATE 2-27-03

DIMENSION SHEET FOR CAT. NO. SEE TABLE REPAIRABLE NON-REPAIRABLE **B** **M-9043** **1**