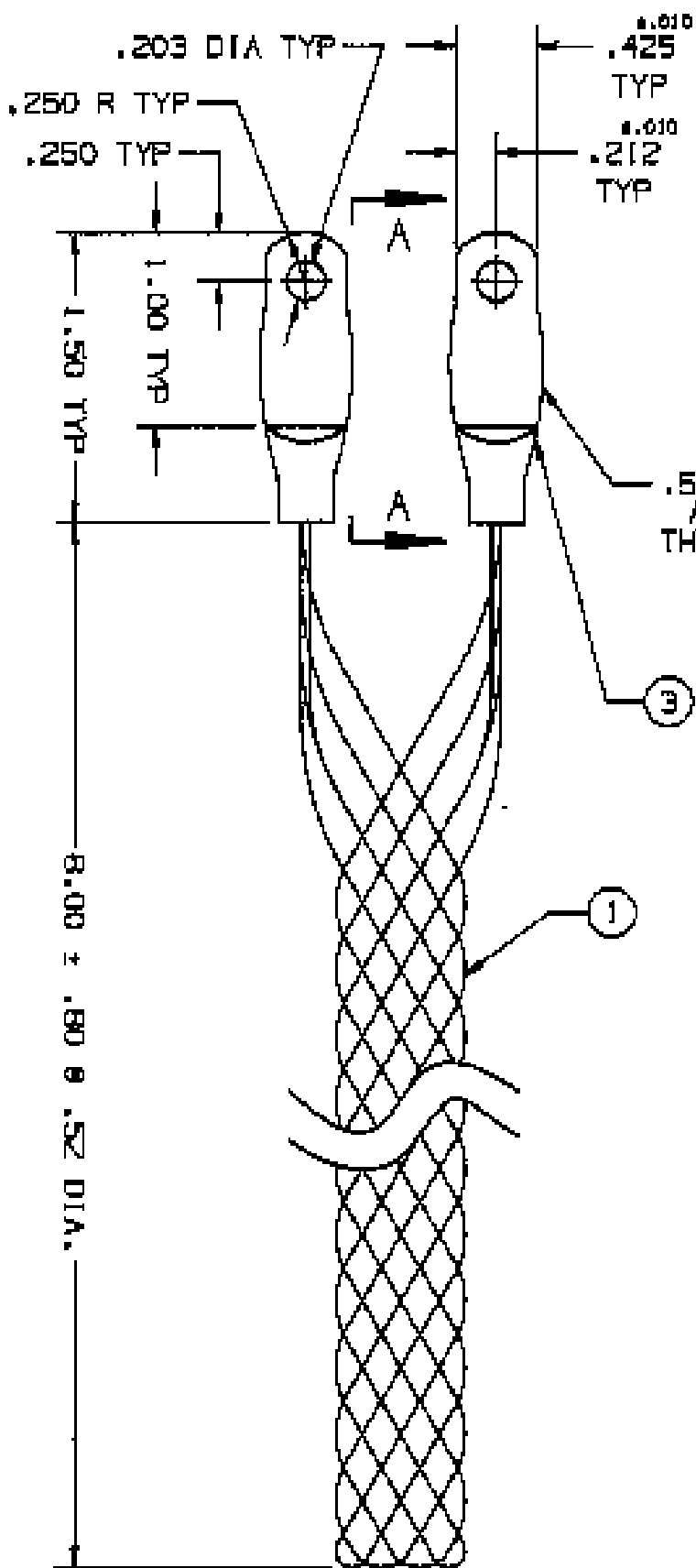
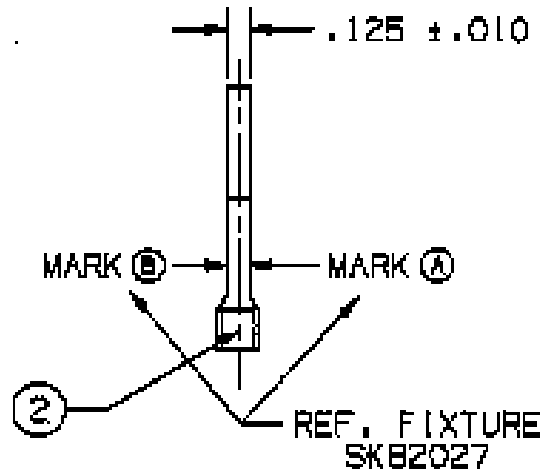


COMPONENT LIST

ITEM NO.	DESCRIPTION	MAT'L	COMPONENT NO.	QTY.
1	STRAND	G STL	303-01-013	-
2	PIPE	PLAS	508-43-008	2
3	EYE	ALUM	391-43-050	2



.500 MAX. WIDTH ALLOWABLE IN THIS AREA (TYP)



SECTION A-A
TYPICAL

IN ACCEPTING OUR DRAWINGS OR BLUEPRINTS FOR QUOTATION OR OTHER PURPOSES, YOU AGREE NOT TO DISCLOSE TO OTHERS THE IDEAS, INFORMATION, OR DESIGNS THEREIN SHOWN, AND THAT YOU WILL MAKE NO USE OF OUR DRAWINGS OR BLUEPRINTS OR OF THE IDEAS, INFORMATION, OR DESIGNS THEREIN SHOWN WITHOUT OUR PERMISSION.

TITLE
GRIP, STRAIN RELIEF, G-STL, W/PLAS. COATING
CLOSED MESH, SINGLE WEAVE, TAB EYES
DIA. RA. .65-1.00
BREAKING STRENGTH: 250 LBS.

TOLERANCES UNLESS OTHERWISE SPECIFIED
 .125 ± .010
 .250 ± .010
 .500 ± .010
 ANGLE TOL. ± 2'

HUBBELL INCORPORATED
 KELLERS DIVISION
 STONINGTON, CT

DR. BY RCM	APP. BY PFS
PROJECT NO.	SCALE
TR. BY	DATE 12/5/08
CHK. BY PFS	

DR. NO.	REV.
073-10-005	1