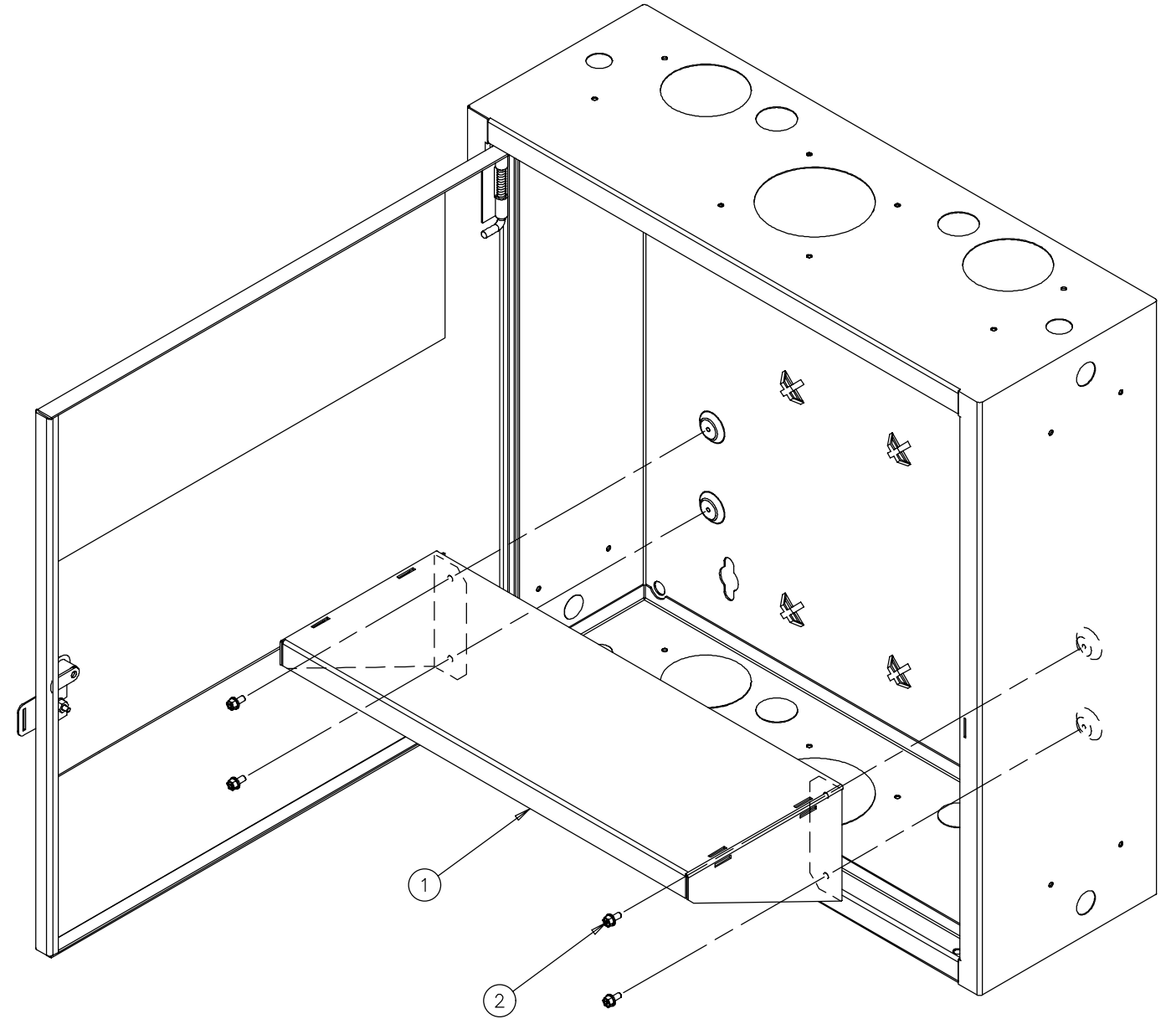
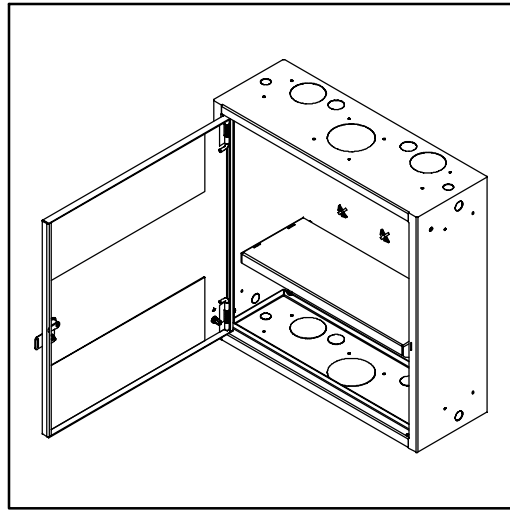




A Pentair Company

D-Box™  
Shelf  
Étagère  
Estante



**Hoffman Enclosures Inc.**  
2100 Hoffman Way  
Anoka, MN 55303-1745  
(763) 422-2211  
[www.hoffmanonline.com](http://www.hoffmanonline.com)

**Pentair Electronic Packaging**  
170 Commerce Drive  
Warwick, RI 02886  
(401) 732-3770  
[www.pentair-ep.com](http://www.pentair-ep.com)

**Mexico**  
Pentair Enclosures, S. de R.L. de C.V.  
Federico T. de la Chica No. 8 Piso 4 A  
Circuito Comercial Plaza Satélite  
Ciudad Satélite,  
Naucalpan, México C.P. 53100  
011-52-55-5393-8263

**Canada**  
Hoffman-Schroff  
111 Grangeway Avenue, Suite 504  
Scarborough, Ontario M1H 3E9  
(416) 289-2770  
1-800-668-2500 (Canada only)

**Germany**  
Schroff GmbH  
Langenalber Str. 96-100  
75334 Straubenhardt  
49 (07082) 794-0 [www.schroff.de](http://www.schroff.de)

**Great Britain**  
Schroff UK Ltd.  
Maylands Avenue  
Hemel Hempstead, Herts HP2 7DE  
44 (01442) 240471 [www.schroff.co.uk](http://www.schroff.co.uk)

**Sweden**  
Schroff Scandinavia AB  
Box 2003  
12821 Skarpnäck  
46 08683 61 00 [www.schroff.se](http://www.schroff.se)

**France**  
Schroff Sas  
Z.I., 4 rue du Marais  
67660 Betschdorf  
33 03 88 90 64 90 [www.schroff.fr](http://www.schroff.fr)

**Italy**  
Schroff srl  
Viale Milano, 119  
21013 Gallarate (Varese)  
39 0331 79 40 03

**Singapore**  
Hoffman-Schroff Pte. Ltd.  
#01-68/71 German Centre  
25 International Business Park  
Singapore 609916  
65 5 62-78 90

**Japan**  
Schroff K.K.  
Nisso No. 13 Bldg. 4F  
2-5-1 Shinyokohama  
Kohoku-Ku, Yokohama shi  
Kanagawa 222-0033  
81 (045) 476-02 81

**Finland**  
Schroff Scandinavia AB  
Peräsimentie 8  
03100 Nummela  
358 09 222 68 00

**Norway**  
Schroff Scandinavia AB  
Bjøernerudveien 24  
1266 Oslo  
47 022 76 33 60

