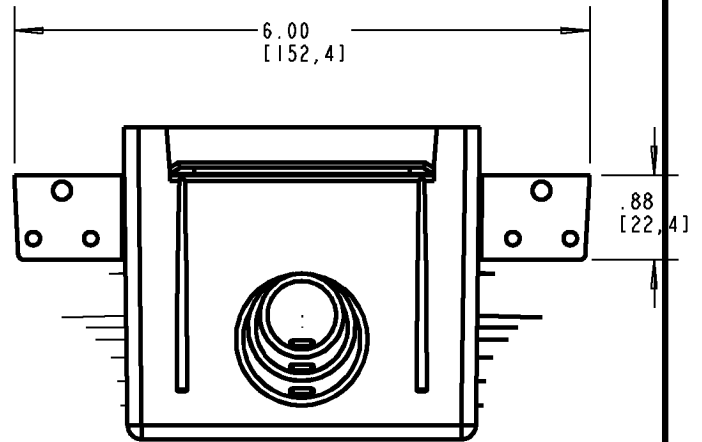
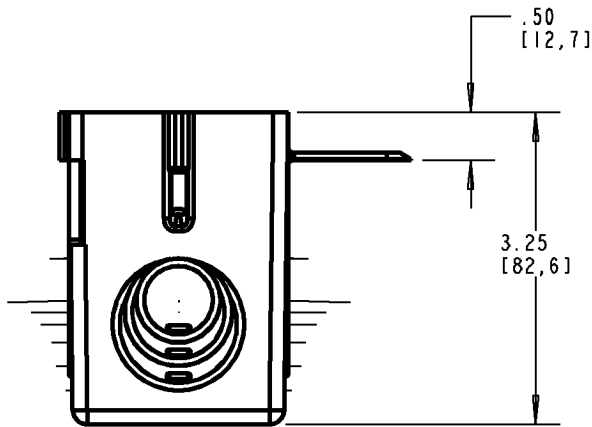
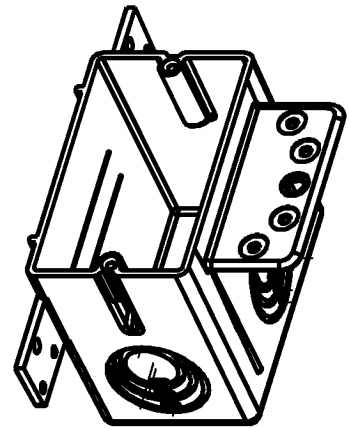
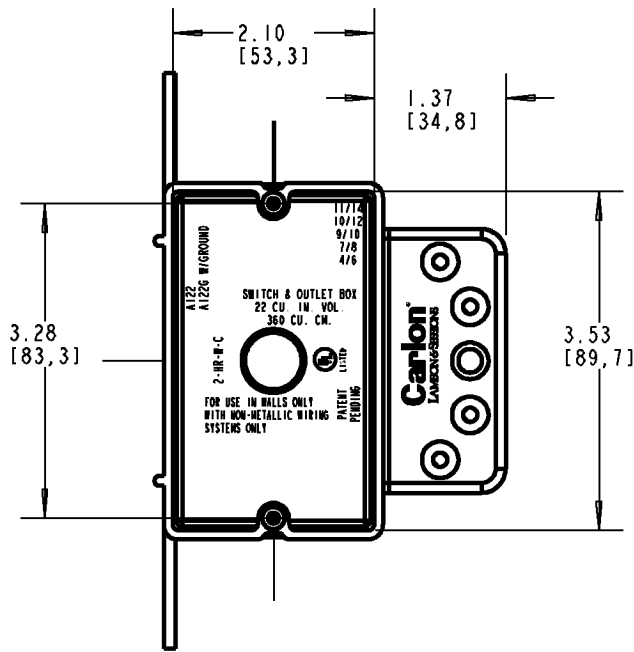


Carlton®



1/2", 3/4" & 1" KNOCKOUTS
4 PLACES

NOTES:

1. PRODUCT IS UL LISTED.
2. MATERIAL: BLUE PVC

P/N
A122
A122-CAR

GENERAL NOTES		Thomas & Betts www.tnb.com			
1. ALL DIMENSIONS ARE FOR REFERENCE ONLY. 2. DIMENSIONS IN BRACKETS [] ARE IN METRIC UNITS.					
REVISIONS		DESCRIPTION: ENT SINGLE GANG DEVICE BOX			
** SEE ERN (****) FOR APPROVAL SIGNATURES & RELEASE DATE. PROJECT NO: ****		ORIGINAL PROJECT NO / (ERN NO)	SHEET NO:	REV. NO:	DRAWING NO:
		/ ()	1 OF 1	C	WSD-AC04384