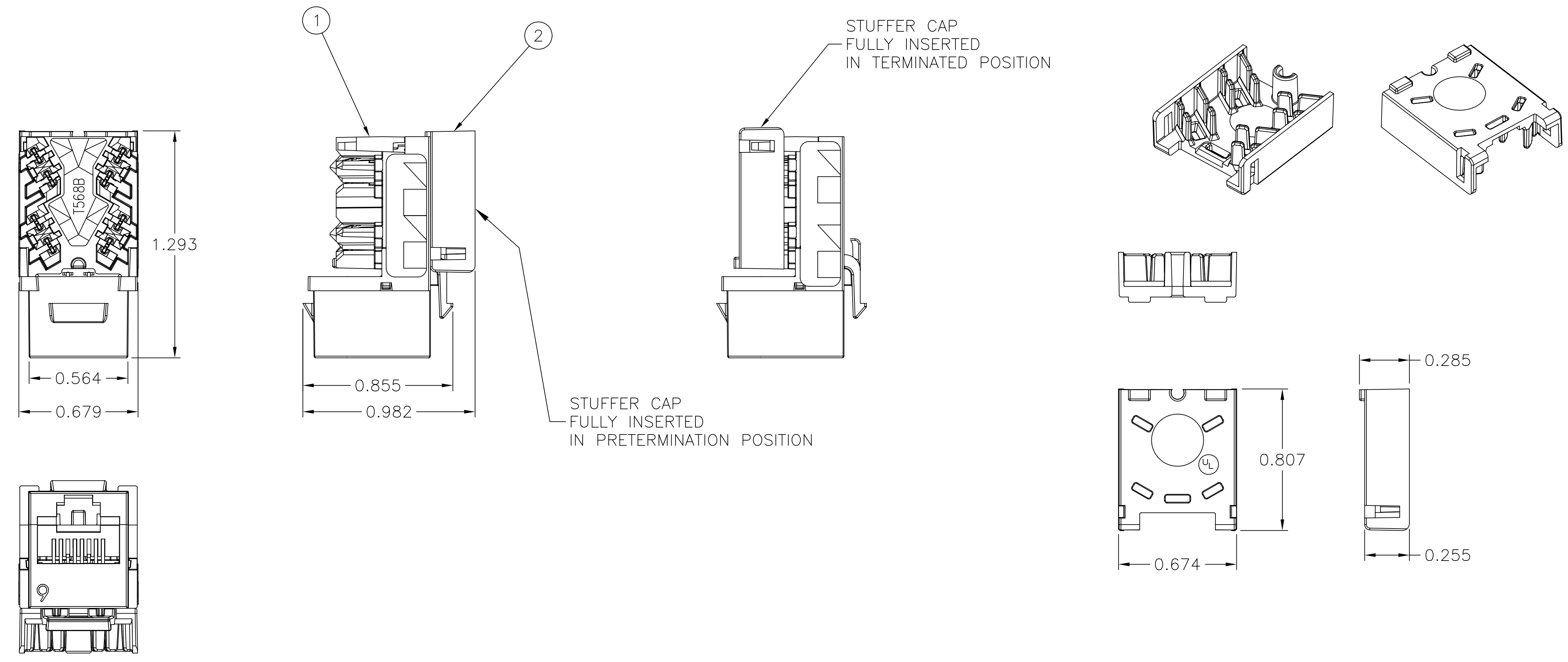
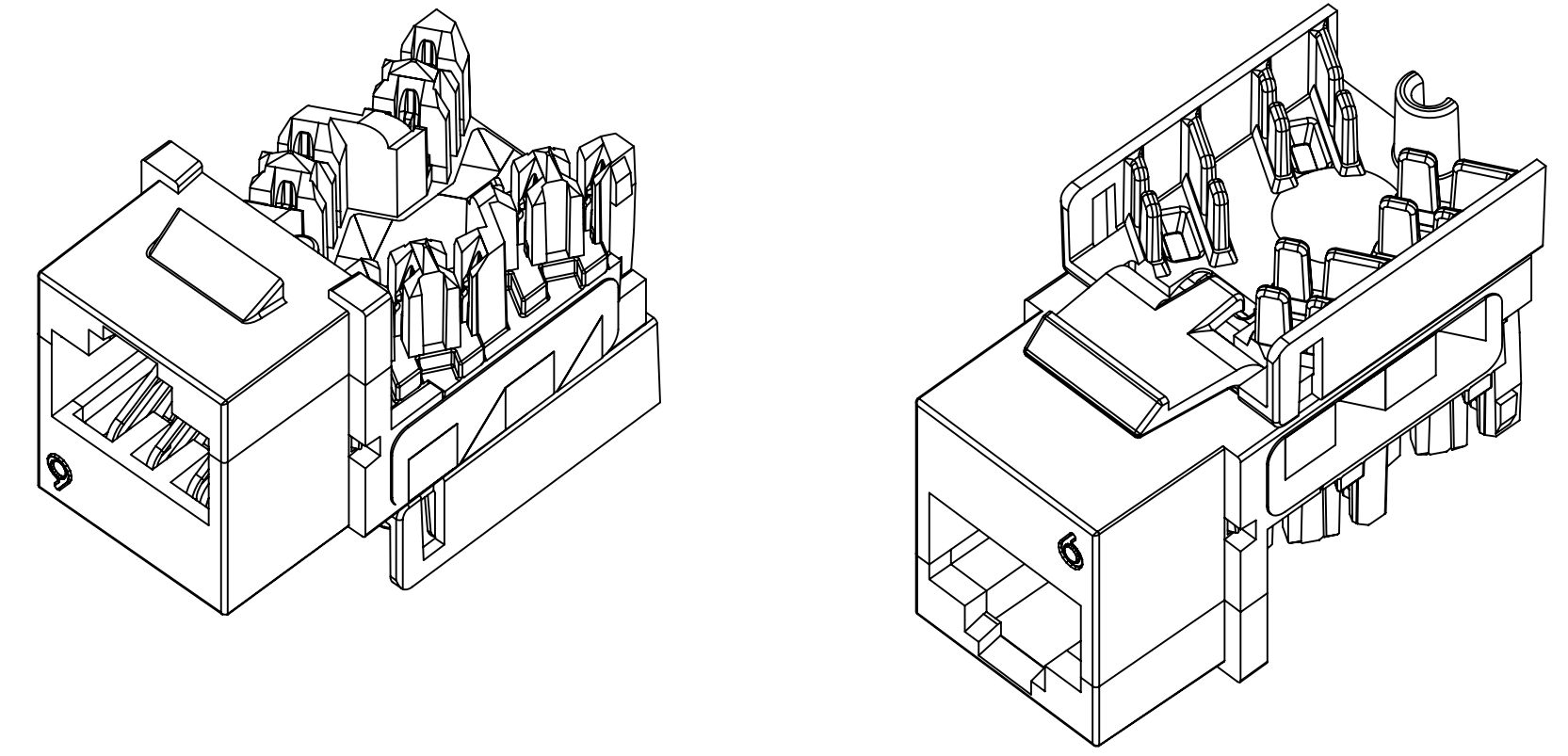
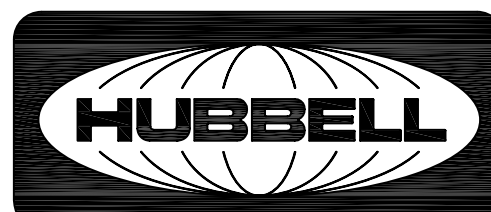


ITEM NO.	DESCRIPTION	QTY.
1	netSELECT NSJ6 SERIES JACKS	1
2	STUFFER CAP	1

CATALOG NUMBER 25PK	CATALOG NUMBER	COLOR	LASER MARKING
NSJ6B25	NSJ6B	BLUE	N6B
NSJ6AL25	NSJ6AL	ALMOND	N6AL
NSJ6W 25	NSJ6W	WHITE	N6W
NSJ6BK25	NSJ6BK	BLACK	N6BK
NSJ6I25	NSJ6I	ELECTRIC IVORY	N6I
NSJ6GY25	NSJ6GY	GRAY	N6GY
NSJ6OR25	NSJ6OR	ORANGE	N6OR
NSJ6OW 25	NSJ6OW	OFFICE WHITE	N6OW
NSJ6LA25	NSJ6LA	LIGHT ALMOND	N6OW
NSJ6GN25	NSJ6GN	GREEN	N6GN
NSJ6Y 25	NSJ6Y	YELLOW	N6Y
NSJ6R25	NSJ6R	RED	N6R



- NOTES
UNLESS OTHERWISE SPECIFIED:
1. UL LISTED: E129878
 2. CSA CERTIFIED: LR 80837
 3. NOSE CONTACTS ARE BERYLLIUM COPPER WITH 50 MICRO INCH GOLD PLATING IN MATING AREA
 4. IDC CONTACTS ARE TIN LEAD PLATED
 5. ALL CONTACTS ARE UNDERPLATED IN NICKEL
 6. SPECIFICATIONS SUBJECT TO CHANGE WITHOUT NOTICE

Created on AUTOCAD	DIMENSIONING AND TOLERANCE PER ANSI Y14.5M-1982 UNLESS OTHERWISE SPECIFIED, DIMENSIONS ARE IN INCHES (MM). TOLERANCES .XX = ±.01 (.25) .XXX = ±.005 (.127) .XXXX = ±.0025 (.0635) ANGLE TOL ±1°		PROJECT REFERENCE:		 Hubbell Premise Wiring HUBBELL INCORPORATED (Delaware) 14 Lord's Hill Road, Stonington, Connecticut 06378
	IN ACCEPTING OUR DRAWINGS, BLUEPRINTS, OR SUPPORTING DOCUMENTATION FOR QUOTATION OR OTHER PURPOSES, YOU AGREE NOT TO DISCLOSE TO OTHERS THE IDEAS, INFORMATION, OR DESIGNS SHOWN HEREIN, AND THAT YOU WILL MAKE NO USE OF SAME WITHOUT PERMISSION		MATERIAL:		
		DRAWN BY: N. HERRING 6/29/06		TITLE: netSELECT NSJ6 SERIES JACKS	
		CHECKED BY:		SIZE: C	
		APPROVED BY:		DRAWING NO.: HWS12232C	
				SCALE: 2/1	
				SHEET 1 OF 1	
				D	

REV.	ECN	DATE	DESCRIPTION	CHG BY	APPD BY
D	6058	02/12/07	ADDED GREEN, ORANGE AND RED VERSIONS	MMA	