

PW-200 Passive Infrared Dual Relay Wall Switch Occupancy Sensor

High sensitivity and dense coverage for exceptional performance

Two relays for control of two separate lighting loads or circuits

Color-matched lens and low profile for appealing design



Selectable operation, walk-through, test and presentation modes for increased energy savings and convenience

Defaults to Auto-ON to 50% operation for maximum energy savings

PROJECT
LOCATION/TYPE

Product Overview

Description

The PW-200 passive infrared (PIR) wall switch sensor turns lights ON and OFF based on occupancy. It contains two relays for controlling two independent lighting loads or circuits, and a variety of features.

Operation

The PW-200 replaces existing wall switches and fits in a single gang junction box. Each of the PW-200's relays can control a separate lighting load. It uses advanced PIR technology to detect occupancy and turn the first relay ON. Once the space is vacated and the time delay elapses, lights automatically turn OFF. Dual ON/OFF buttons allow the user to manually turn on and off each of the loads. DIP switch settings allow for a variety of control options such as Manual-ON or Auto-ON for each relay, walk-through and test modes.

Bi-Level Control

The PW-200 features a built-in light level sensor that controls the second (secondary) relay. If adequate daylight is present, the sensor will hold secondary lights off until daylight levels drop, providing increased energy savings. The PW-200 satisfies energy codes requiring bi-level or daylight control switching. The two relays in the sensor give it the ability to control two lighting loads independently. This provides A/B switching where the user can achieve half-lighting (or another desired portion) from a single switch.

Applications

The PW-200 sensor is well suited for small, enclosed spaces with a clear line of sight of the occupant. In addition, its dual relays allow bi-level switching or control of a secondary load. Common applications include small office, small conference room and lunch/break rooms.

Features

- Detection Signature Processing eliminates false triggers and provides immunity to RFI and EMI
- Zero-crossing on both relays for long relay life
- Vandal resistant lens combines precise coverage with durability
- Choice of Manual-ON or Auto-ON operation, selectable for each relay
- Selectable walk-through mode turns lights off three minutes after the room is initially occupied if no motion is detected after the first 30 seconds
- Test mode allows quick and easy adjustments
- LED indicates occupancy detection
- Selectable audible and/or visual alerts for impending shutoff
- In automatic mode, sensor returns automatically to Auto-ON after lights are turned off manually; ideal for presentations
- Optional light level sensing with simple setup
- Service mode allows sensor to operate as a service switch in the unlikely event of a failure
- Sensor coverage tested to NEMA Guide Publication WD 7-2000
- Compatible with decorator wall plates
- Qualifies for ARRA-funded public works projects

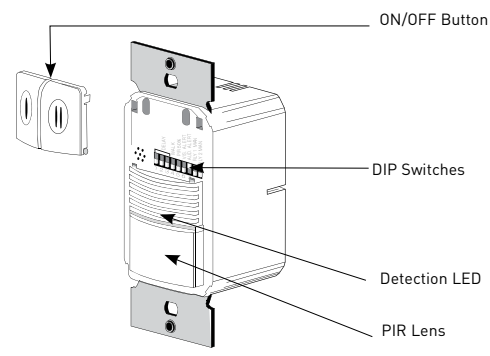


Specifications

- PW-200: 120/277 VAC; 50/60 Hz
 @ 120 VAC, 0-800 W ballast or tungsten, 1/6 hp
 @ 277 VAC, 0-1200 W ballast
- PW-200-347: 347 VAC; 50/60 Hz; 0-1500 W ballast
- Time delays: 5, 10, 15, 20, 25 or 30 minutes, walk-through, test-mode
- Coverage: Major motion 35' x 30'
 Minor motion 20' x 15'
- Sensitivity adjustment: PIR (high/low)
- Dimensions: 2.73" x 1.76" x 1.83"
 (69.3mm x 44.7mm x 46.5mm) L x W x D
- UL and cUL listed
- Five year warranty

Controls & Settings

Product Controls



DIP Switch Settings

Time Delay 1 2 3	Time Delay	Relay 1 Mode	Audible Alert 7
Test ↓	↓	↓	Disabled ↓
5 minutes ↓	↓	↓	Enabled ↑
10 minutes ↓	↓	↓	
15 minutes ↓	↓	↓	Relay 1 Mode 8
20 minutes ↓	↓	↓	Auto On ↓
25 minutes ↓	↓	↓	Manual On ↓
30 minutes ↓	↓	↓	PW-200 ONLY
override ↑	↑	↑	Relay 2 Mode 9
			Auto On ↓
			Manual On ↑

Walk-Through 4	Walk-Through	PIR Sensitivity 5	Visible Alert 6
Disabled ↓	↓	High ↓	Disabled ↓
Enabled ↑	↑	Low, 50% ↑	Enabled ↑

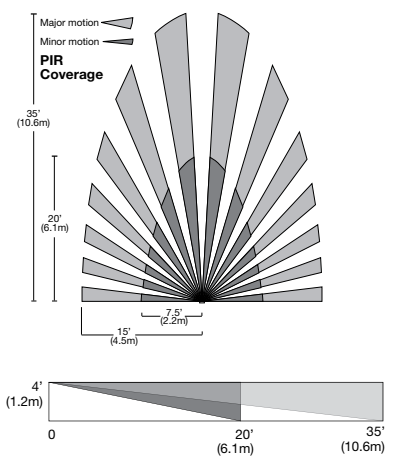
⊗ Bypass occupancy & light level functions. Loads are manually controlled with PW-200 buttons.

↑=ON ↓=OFF

Factory Settings:
 ◀ All models
 ▲ PW-100 series
 ▴ PW-200 series

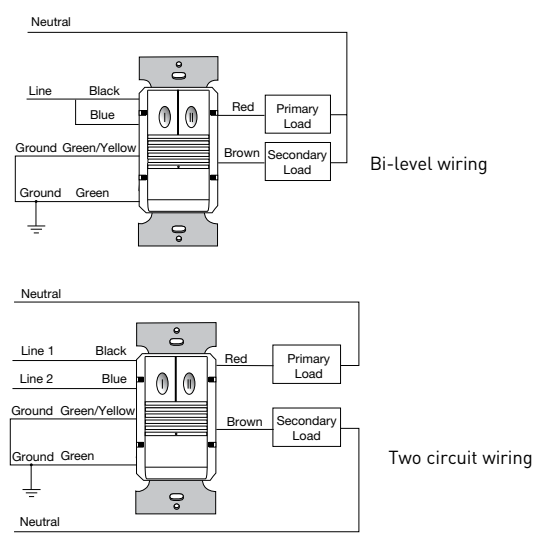
Coverage & Wiring

Coverage Pattern



For best performance, WattStopper recommends using this sensor in spaces no larger than 15' x 12'.

Wiring Diagrams



Ordering Information

Catalog No.	Color	Voltage	Load Rating
<input type="checkbox"/> PW-200-W	White	120/277 VAC; 50/60 Hz 2-wire sensor; no neutral connection	@ 120 VAC, 0-800 W ballast or tungsten, 1/6 hp @ 277 VAC, 0-1200 W ballast
<input type="checkbox"/> PW-200-W-U			
<input type="checkbox"/> PW-200-LA	Lt. Almond		
<input type="checkbox"/> PW-200-I	Ivory		
<input type="checkbox"/> PW-200-I-U			
<input type="checkbox"/> PW-200-G	Grey		
<input type="checkbox"/> PW-200-B	Black		
<input type="checkbox"/> PW-200-347-W	White	347 VAC; 50/60 Hz 2-wire sensor; no neutral connection	0-1500 W ballast
<input type="checkbox"/> PW-200-347-LA	Lt. Almond		
<input type="checkbox"/> PW-200-347-I	Ivory		
<input type="checkbox"/> PW-200-347-G	Grey		
<input type="checkbox"/> PW-200-347-B	Black		

Order wall plate separately.
 -U = ARRA compliant. Product produced in the U.S.