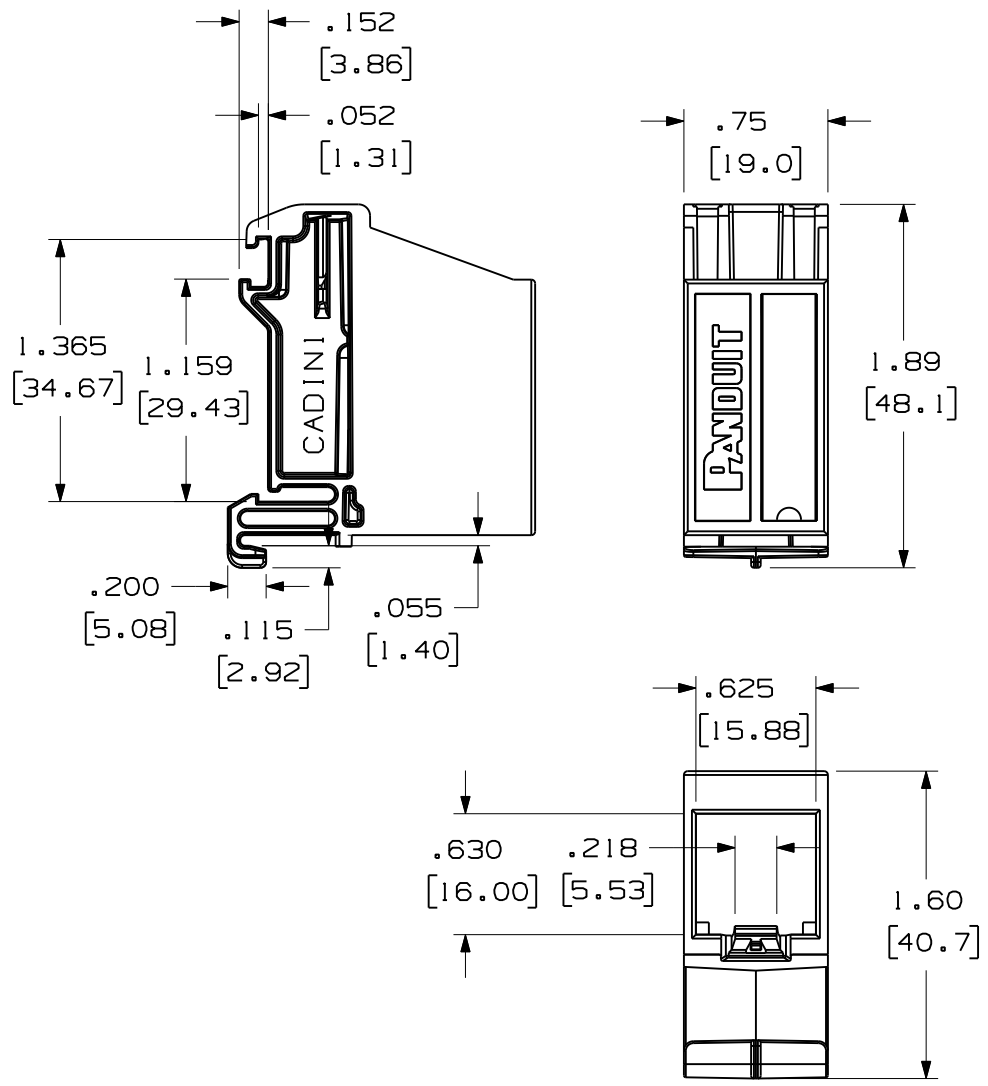


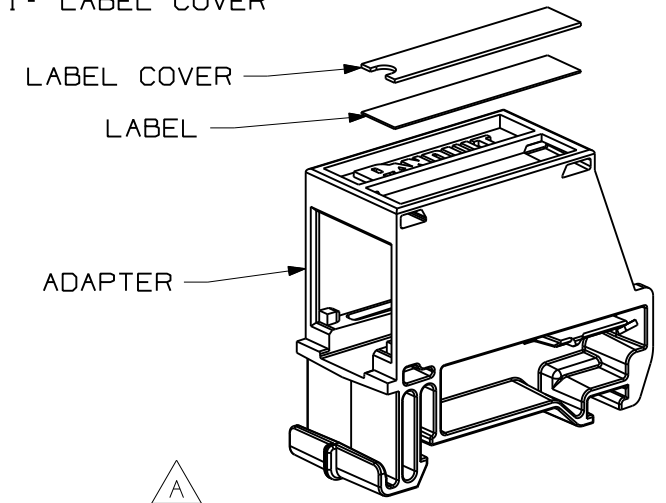
THIS COPY IS PROVIDED ON A RESTRICTED BASIS AND IS NOT TO BE USED IN ANY WAY DETRIMENTAL TO THE INTERESTS OF PANDUIT CORP.

PANDUIT P/N	WEIGHT
CADINI**	0.55 LB/10PCS (250 g/10 PCS)



NOTES:

1. SEE CURRENT CATALOG FOR ADDITIONAL PART NUMBER SUFFIXES TO INDICATE COLOR AND OR PACKAGE QUANTITY.
2. SEE CATALOG FOR COMPLETE LIST OF PARTS APPLICABLE FOR USE WITH THIS PART.
3. DIMENSIONS IN PARENTHESES ARE IN METRIC.
4. PART INCLUDES:
 - 1- PLASTIC ADAPTER
 - 1- LABEL
 - 1- LABEL COVER



MODEL FILENAME	10M180AA/01	SIZE	A
DRAWING FILENAME	10M180AA_DCO2/01A		
MINI-COM 1 PORT DIN RAIL ADAPTER W/LABEL AND LABEL COVER CUSTOMER DRAWING			
PANDUIT [®] TINLEY PARK, IL 60487		I.I. NUMBER	
		PRODUCT SPEC/ PKG SPEC	
<p>THIRD ANGLE PROJECTION</p>		ASSY METHOD/ TEST METHOD	
		SCALE	
DRAWN BY		PART NO.	
BJN		CADINI**	
DATE		DRAWING NO.	
3-10-11		10M180AA-02	
CHK'D			
REFR			

REV	DATE	BY	CHK	DESCRIPTION	ECN	R	CUST	SUP	OTH
I	4-19-11	BJN	REFR	A. UPDATED MODEL TO REV 01	10M180AA-02		MMR		
R	3-10-11	BJN	REFR	RELEASED TO PRODUCTION	10M180AA-02		MMR		