

PLEASE CHECK WWW.MOLEX.COM FOR LATEST PART INFORMATION

Part Number: [1301280101](#)
Status: **Active**
Overview: [Push-Button Pendant Products](#)
Description: Super-Safeway Switch Replacement, Two Speed Momentary

Documents:

[RoHS Certificate of Compliance \(PDF\)](#) [Product Literature \(PDF\)](#)

General

Product Family	Push Buttons / Testers
Series	130128
Accessory / Replacement Type	Two Speed-Momentary Switch
Enclosure Rating	N/A
Overview	Push-Button Pendant Products
Product Literature Order No	987650-8071
Product Name	Super-Safeway
Type	Replacement Part
UPC	78678875424
Woodhead	Yes

Physical

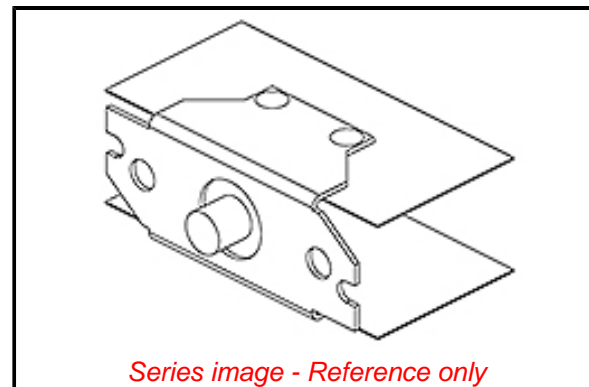
Cord Diameter	N/A
Cord Grip Body Size	N/A
Emergency Stop	No
Material - Body	N/A
Number of Speeds	Two
Packaging Type	Carton

Electrical

Voltage - Maximum	250V
-------------------	------

Material Info

Engineering Number	4020-2
--------------------	--------



Series image - Reference only

EU ELV

Not Reviewed

EU RoHS

Not Reviewed

REACH SVHC

Not Reviewed

Halogen-Free

Status

Not Reviewed

Need more information on product environmental compliance?

Email productcompliance@molex.com
Please visit the [Contact Us](#) section for any non-product compliance questions.

China ROHS	Not Reviewed
ELV	Not Reviewed
RoHS Phthalates	Not Reviewed

Search Parts in this Series

[130128 Series](#)