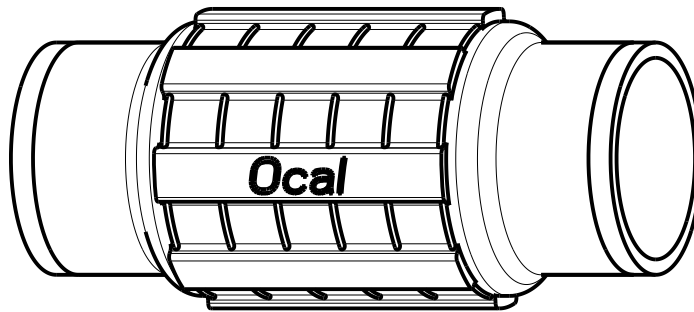
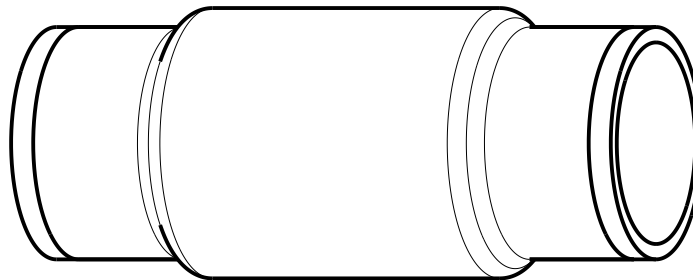




# Ocal




INJECTION MOLDED  
SIZES 1/2 THRU 4



DIP MOLDED  
SIZES 5 & 6

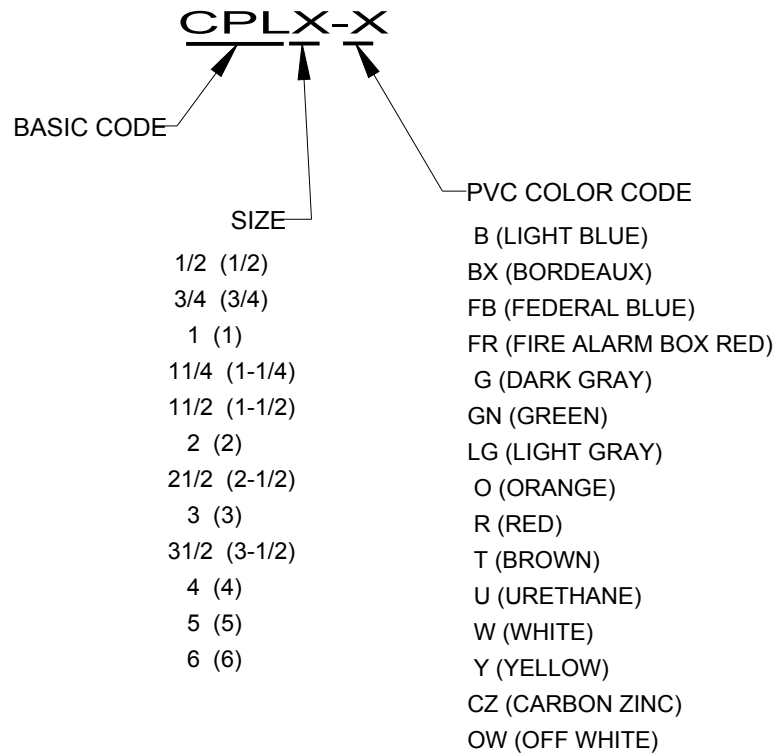
NOTES:

1. COUPLING IS PVC COATED BLACK PIPE, ZINC PLATED.
2. BLUE URETHANE COATING ON INTERIOR OF COUPLING.
3. PVC COATING ON EXTERIOR OF COUPLING, .040" (40 MIL) MINIMUM.  
PVC SLEEVES ON EACH END OF COUPLING.
4. COLOR CODED THREAD PROTECTORS INSERTED IN EACH SLEEVE.

|   |   |  |                     |               |                           |
|---|---|--|---------------------|---------------|---------------------------|
| GENERAL NOTES   |   | <br>A Member of the ABB Group |                     |               |                           |
| 1. ALL DIMENSIONS ARE FOR REFERENCE ONLY.<br>2. DIMENSIONS IN BRACKETS [ ] ARE IN METRIC UNITS. |   |  |                     |               |                           |
| REVISIONS   |   | DESCRIPTION: <b>PVC COATED COUPLING</b>  |                     |               |                           |
| 2   | SEE ERN 2018670 FOR APPROVAL SIGNATURES & RELEASE DATE.<br>PROJECT NO: 087M001467 | ORIGINAL PROJECT NO / ( ERN NO )<br>RM401877 / ( 2011363 )   | SHEET NO:<br>1 OF 2 | REV. NO:<br>2 | DRAWING NO:<br>WSD-000545 |

| CATALOG NUMBER | TRADE SIZE | MIN. LENGTH OF COUPLING | MIN. SLEEVE EXTENSION LENGTH |
|----------------|------------|-------------------------|------------------------------|
| CPL1/2-X       | 1/2 [16]   | 1-5/8 [41.27]           | 1/2 [12.70]                  |
| CPL3/4-X       | 3/4 [21]   | 1-41/64 [41.67]         | 3/4 [19.05]                  |
| CPL1-X         | 1 [27]     | 1-31/32 [50.00]         | 1 [25.40]                    |
| CPL11/4-X      | 1-1/4 [35] | 2-1/32 [51.59]          | 1-1/4 [31.75]                |
| CPL11/2-X      | 1-1/2 [41] | 2-1/16 [52.38]          | 1-1/2 [38.10]                |
| CPL2-X         | 2 [53]     | 2-1/8 [53.97]           | 2 [50.80]                    |
| CPL21/2-X      | 2-1/2 [63] | 3-3/16 [80.96]          | 2 [50.80]                    |
| CPL3-X         | 3 [78]     | 3-5/16 [84.13]          | 2 [50.80]                    |
| CPL31/2-X      | 3-1/2 [91] | 3-13/32 [86.51]         | 2 [50.80]                    |
| CPL4-X         | 4 [103]    | 3-33/64 [89.29]         | 2 [50.80]                    |
| CPL5-X         | 5 [129]    | 3-61/64 [100.40]        | 2 [50.80]                    |
| CPL6-X         | 6 [155]    | 4-1/4 [107.95]          | 2 [50.80]                    |

CATALOG NUMBER CODE



|  |   |                           |               |                           |
|--|---|---------------------------|---------------|---------------------------|
| <b>Thomas &amp; Betts</b><br>A Member of the ABB Group |   |                           |               |                           |
| <small>www.tnb.com</small>                             |   |                           |               |                           |
| DESCRIPTION: <b>PVC COATED COUPLING</b>                |   |                           |               |                           |
|  | <table border="1" style="width: 100%;"> <tr> <td style="width: 33%;">SHEET NO:<br/>2 OF 2</td> <td style="width: 33%;">REV. NO:<br/>2</td> <td style="width: 33%;">DRAWING NO:<br/>WSD-000545</td> </tr> </table> | SHEET NO:<br>2 OF 2       | REV. NO:<br>2 | DRAWING NO:<br>WSD-000545 |
| SHEET NO:<br>2 OF 2                                    | REV. NO:<br>2   | DRAWING NO:<br>WSD-000545 |               |                           |