

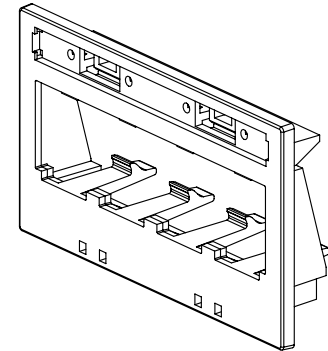
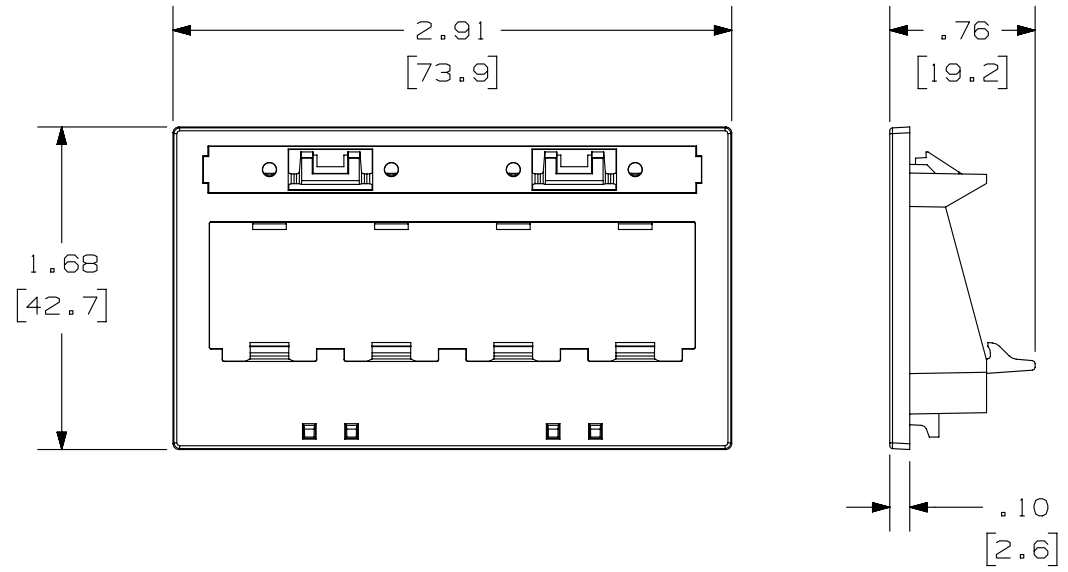
2

1

THIS COPY IS PROVIDED ON A RESTRICTED BASIS AND IS NOT TO BE USED IN ANY WAY DETRIMENTAL TO THE INTERESTS OF PANDUIT CORP.

PANDUIT P/N	WEIGHT
UICPPL4**	.15 LB/10 PCS (67.3 g/10 PCS)

- NOTES:
1. SEE CURRENT CATALOG FOR ADDITIONAL PART NUMBER SUFFIXES TO INDICATE COLOR AND OR PACKAGE QUANTITY.
 2. SEE CATALOG FOR COMPLETE LIST OF PARTS APPLICABLE FOR USE WITH THIS PART.
 3. DIMENSIONS IN PARENTHESES ARE IN METRIC.
 4. FACEPLATE SNAPS INTO FACEPLATE READY PANELS.
 5. PART INCLUDES:
1- PATCH PANEL FACEPLATE
1- 4 POSITION CLEAR LABEL COVER



PART NUMBER		UICPPL4**	
TITLE			
MINI-COM ULTIMATE ID 4 POSITION PATCH PANEL FACEPLATE WITH ONE LABEL POCKET			
CUSTOMER DRAWING			
ITEM REVISION NAME		M01207BB/09	
DATASET FILE NAME		M01207BB_DC/09A	
UNLESS OTHERWISE SPECIFIED, DIMENSIONAL TOLERANCES ARE: IN (mm)		MATERIAL:	
.x ± .xxx ± .010 (.3)		DRAWING NUMBER:	
.xx ± .03 (.8) ANGLES ±		01207-19	
THIRD ANGLE PROJECTION		SHT 1 OF 1	
DRAWN BY	DATE	CHK	SCALE
JSP	8-27-02	JAJP	FULL
REV	DATE	BY	CHK
2	5-2-14	BJN	JSP
APR	MMR	REVISD & REDRAWN PREVIOUS REVISIONS REMVD FOR CLARITY	
ECN	01207-19		

D10100DA/14

2

1