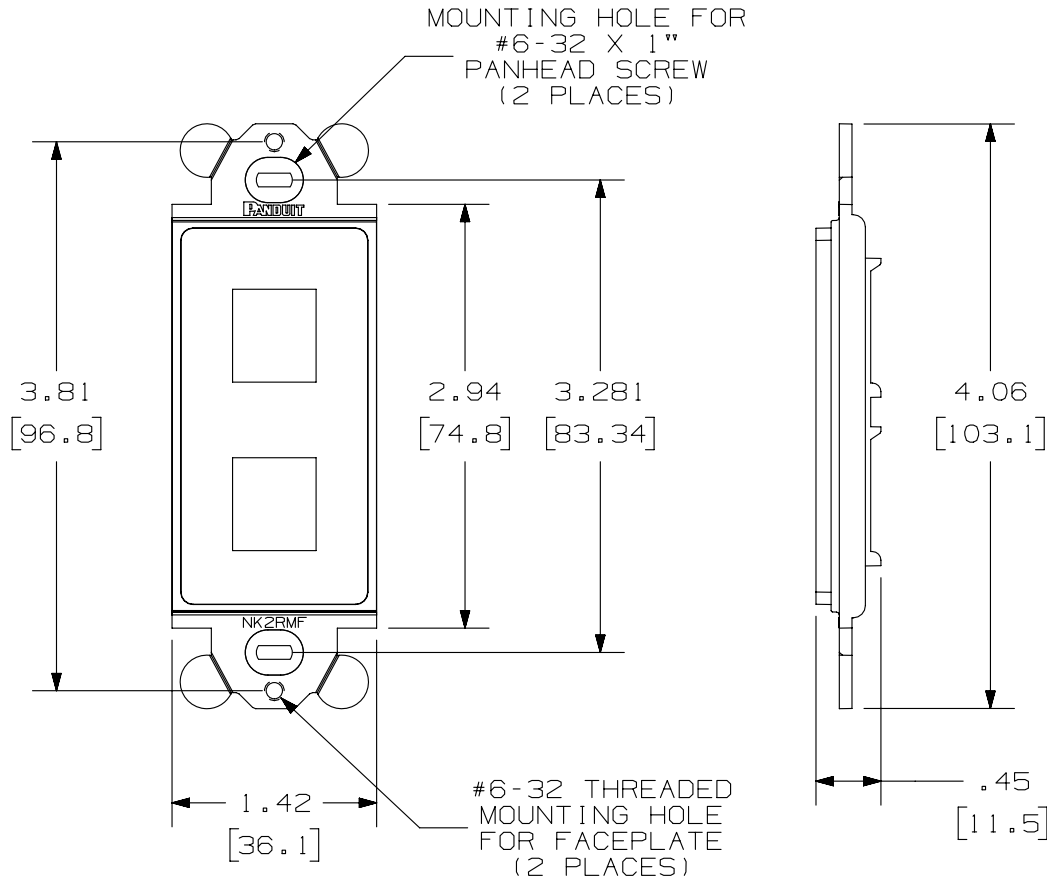


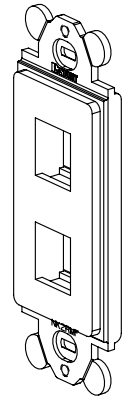
THIS COPY IS PROVIDED ON A RESTRICTED BASIS AND IS NOT TO BE USED IN ANY WAY DETRIMENTAL TO THE INTERESTS OF PANDUIT CORP.



PANDUIT P/N	WEIGHT
NK2RMF**	.021b EACH PC (10.5g EACH PC)

NOTES:

- SEE CURRENT CATALOG FOR ADDITIONAL PART NUMBER SUFFIXES TO INDICATE COLOR AND OR PACKAGE QUANTITY.
- SEE CATALOG FOR COMPLETE LIST OF PARTS APPLICABLE FOR USE WITH THIS PART.
- DIMENSIONS IN PARENTHESES ARE IN METRIC.
- (2) #6-32 x 1" PANHEAD SCREWS ARE SUPPLIED.



PART NUMBER		NK2RMF**	
TITLE			
NETKEY 2 POSITION RECTANGULAR MODULE FRAME			
CUSTOMER DRAWING			
ITEM REVISION NAME		M00741MG/02	
DATASET FILE NAME		M00741MG_DC147/02B	
UNLESS OTHERWISE SPECIFIED, DIMENSIONAL TOLERANCES ARE: IN [mm]		MATERIAL:	
.x ± .xxx ± .010 [.3]		ABS	
.xx ± .03 [.8] ANGLES ±		DRAWING NUMBER:	
THIRD ANGLE PROJECTION		00741-147	
DRAWN BY	DATE	CHK	SCALE
JSP	6-20-08	EB	NONE
REV	DATE	BY	CHK
1	5-08-14	MDJR	REFR
R	6-20-08	JSP	EB
DESCRIPTION		APR	ECN
A. UPDATED TITLE BLOCK.			00741-147
RELEASED TO PRODUCTION			00741-147
SHT 1 OF 1		SIZE	A

D10100DA/14