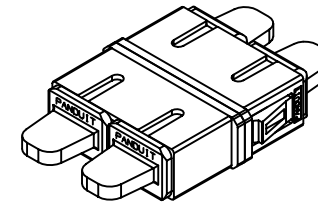
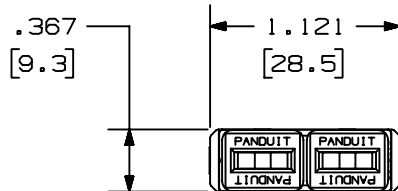
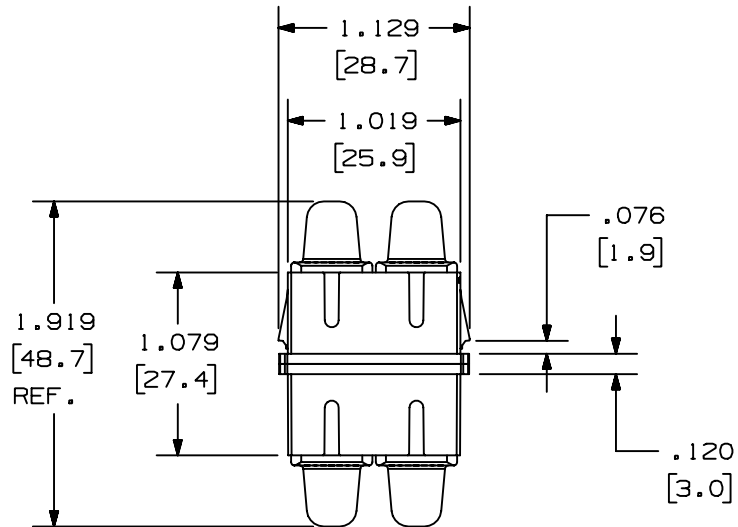


THIS COPY IS PROVIDED ON A RESTRICTED BASIS AND IS NOT TO BE USED IN ANY WAY DETRIMENTAL TO THE INTERESTS OF PANDUIT CORP.



PANDUIT P/N	WEIGHT	SPLIT SLEEVE TYPE
FADSCAQ-L	.7 lbs/50 Pcs [315.6 g/50 Pcs]	PHOS BRONZE
FADSCEI-L		
FADSCZAG-L	.7 lbs/50 Pcs [315.6 g/50 Pcs]	ZIRCONIA
FADSCZAQ-L		
FADSCZBU-L		

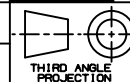
NOTES:

- SEE CURRENT CATALOG FOR ADDITIONAL PART NUMBERS, COLORS, AND OR PACKAGE QUANTITIES.
- SEE CATALOG FOR COMPLETE LIST OF PARTS APPLICABLE FOR USE WITH THIS PART.
- MATERIAL:
 - ADAPTER HOUSING: PLASTIC
 - SPLIT SLEEVE: SEE TABLE
 - INNER LATCH: PLASTIC
 - DUST CAP: PLASTIC
- COMPLIANT WITH TIA/EIA-604-3 (FOCIS-3) AND TIA/EIA-568B.3
- DIMENSIONS IN BRACKETS ARE METRIC [mm]

FIBER ADAPTER DUPLEX SC
CUSTOMER DRAWING



PANDUIT™
CORP.
TINLEY PARK, ILL 60477



THIRD ANGLE
PROJECTION
DRAWN BY
MC

ALL DIMENSIONS ARE GIVEN IN INCHES,
UNLESS OTHERWISE SPECIFIED.
DIMENSIONAL TOLERANCES ARE:
(.X) (.XXX) ± .010 (0.3)
(.XX) ± .02 (0.5) ANGLES

DRAWING FILENAME
M0115BF_DC_00B.prt
SCALE
NONE

DATE
02-27-04

REVIEW DRAWING NUMBERS

PART NO.
SEE TABLE

REV	DATE	BY	CHK	DESCRIPTION	ECN	R	CUST	SUP	OTH
1	01-05-05	MC		RELEASED TO PRODUCTION	01115-08				

DATE
02-27-04
CHK'D
MTV

DRAWING NO.
01115-08
SIZE
A