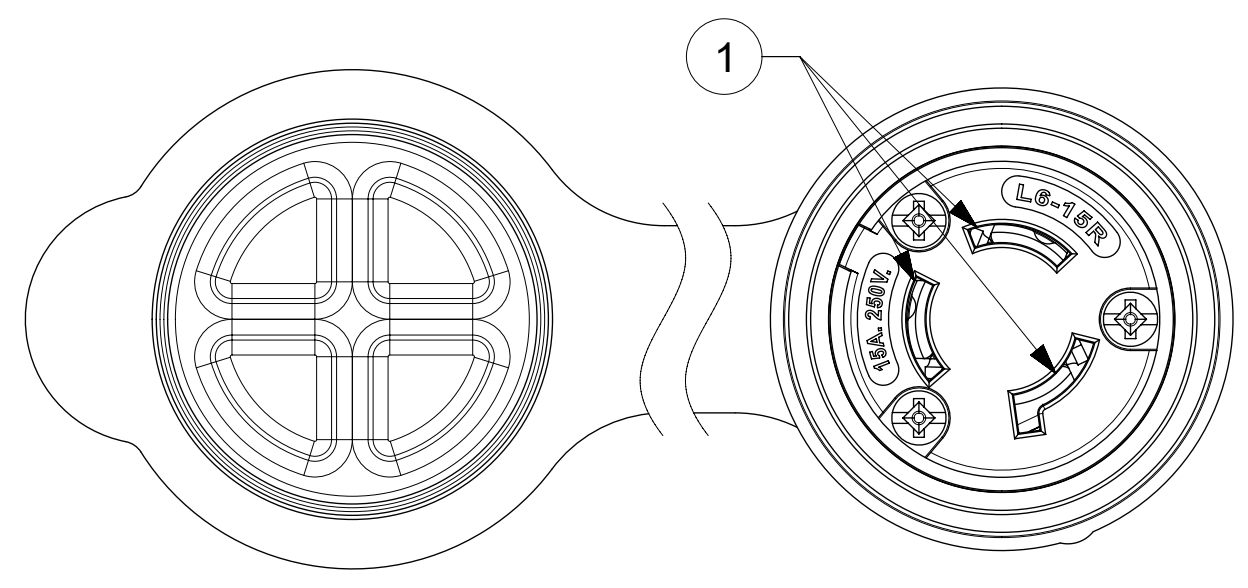
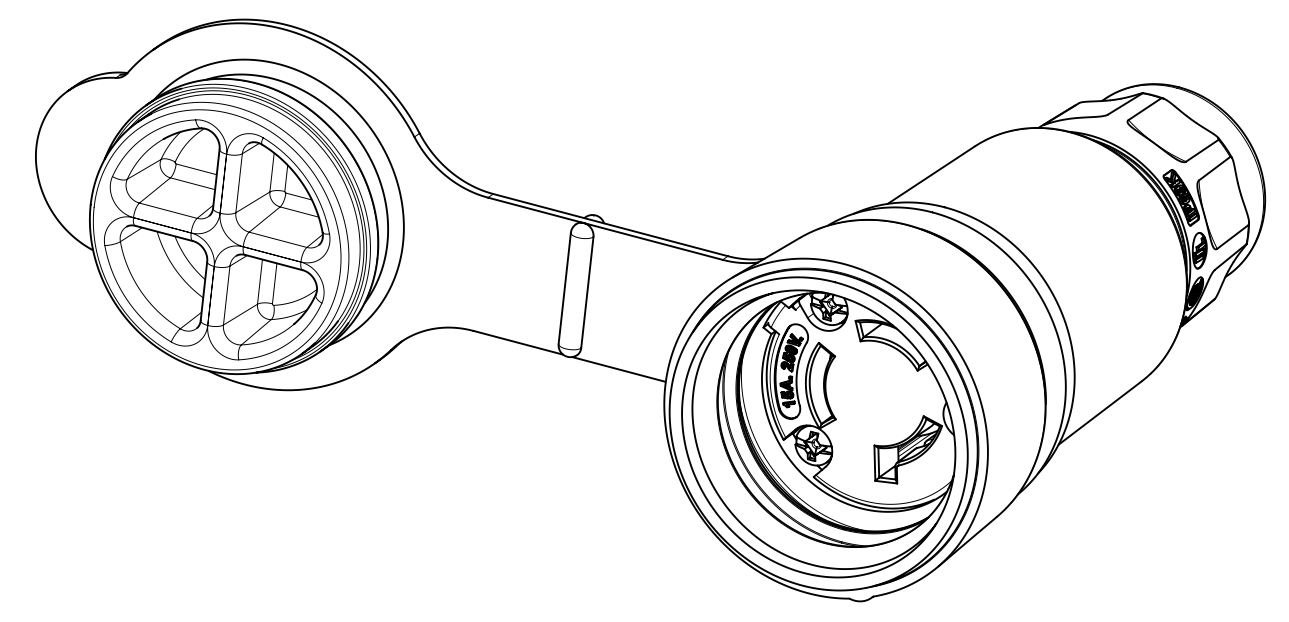
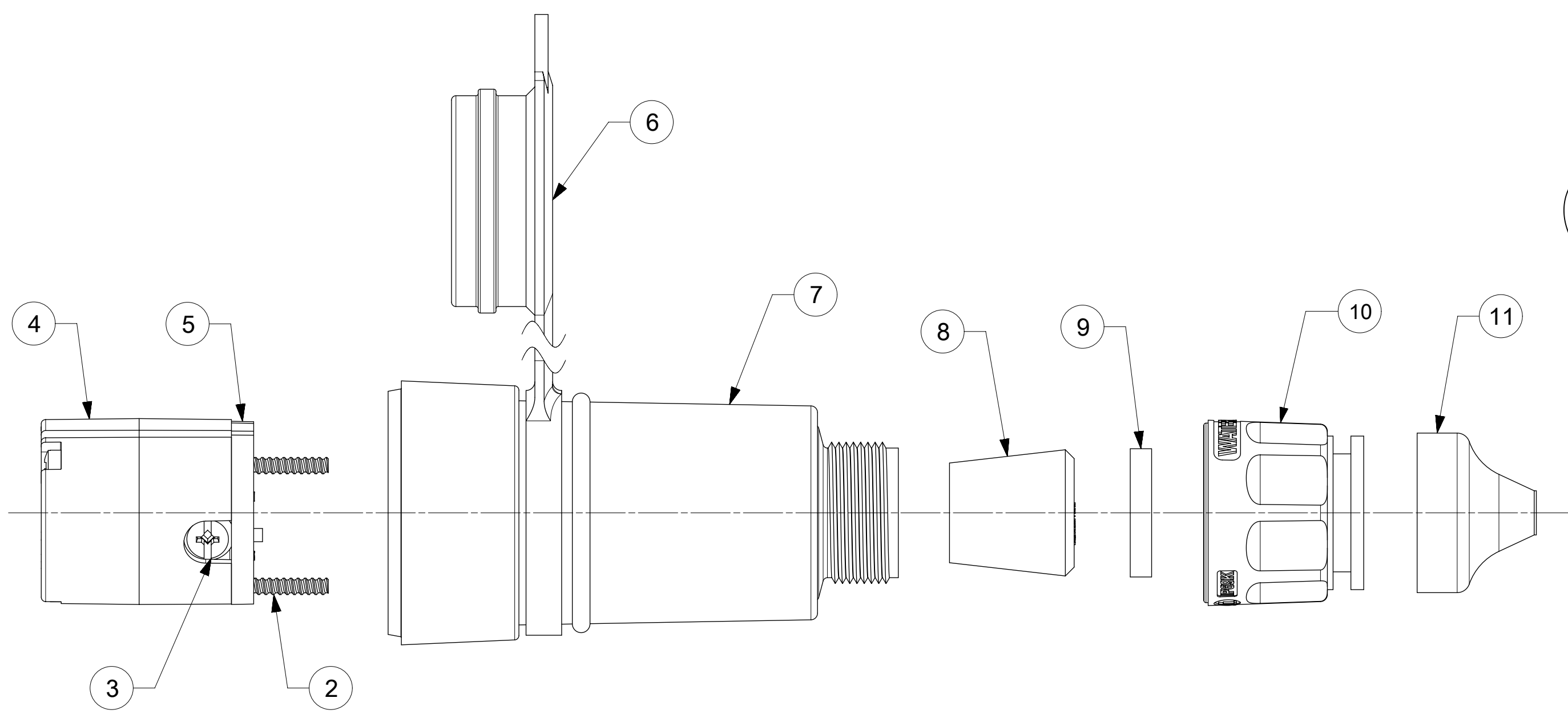
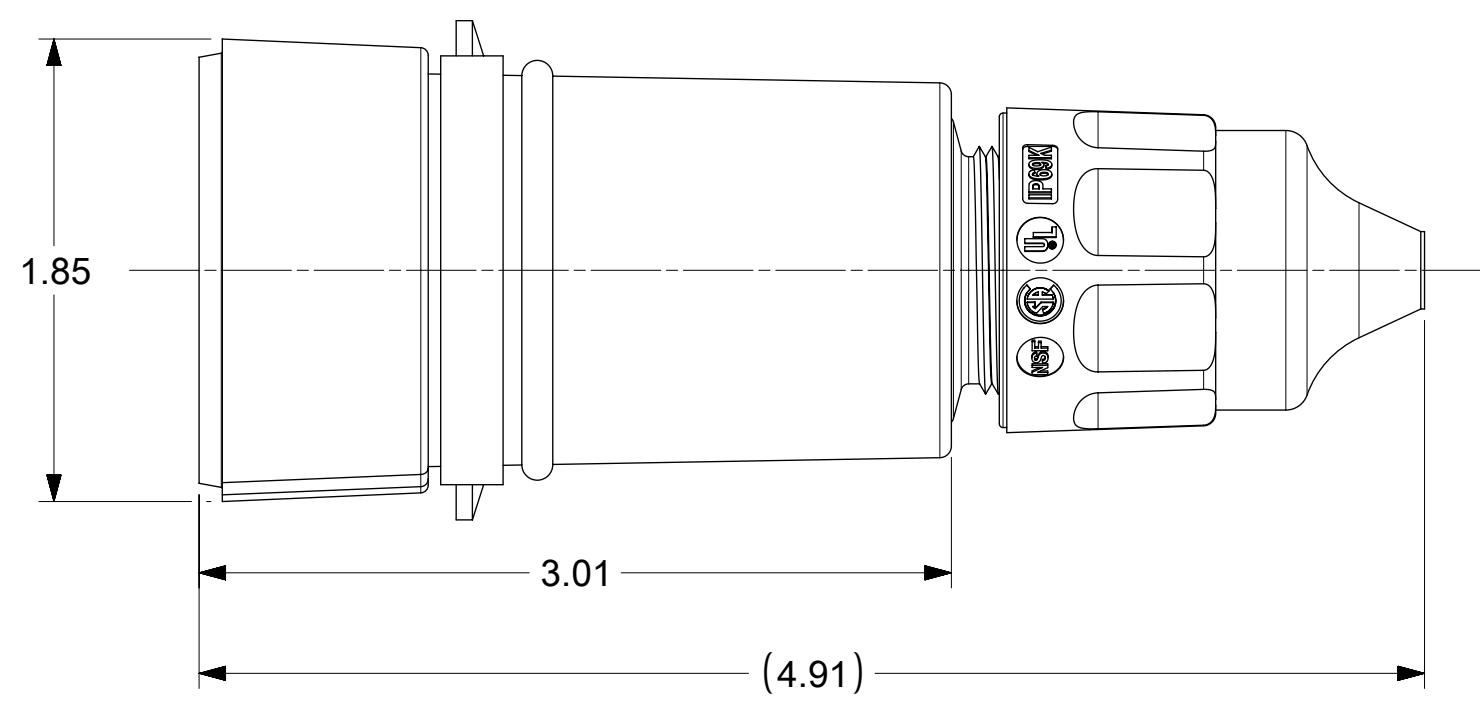


ORDER NO.	WOODHEAD NO.	COLOR
130146-0106	25W49	YELLOW



FACE VIEW



ITEM NO.	DESCRIPTIONS	MATERIAL	QTY.
1	BLADES	BRASS	3
2	RETAINING SCREWS	STAINLESS STEEL	3
3	TERMINAL SCREWS	BRASS, ZINC PLATED	3
4	INSERT	NYLON	1
5	TERMINAL COVER	POLYCARBONATE	1
6	FLIP COVER	SILICONE	1
7	HOUSING	SILICONE WITH NYLON THREAD	1
8	GROMMETS	RUBBER	5
9	FRICTION RING	NYLON	1
10	COMPRESSION NUT	NYLON	1
11	CABLE GLOVE	SILICONE	1

NOTES:
 1. SEE INSTRUCTION SHEET NUMBER 1301414770 FOR PRODUCT SPECIFICATION.
 2. CABLE RANGE FROM 0.375" TO 0.625"

SYMBOLS		THIS DRAWING CONTAINS INFORMATION THAT IS PROPRIETARY TO MOLEX ELECTRONIC TECHNOLOGIES, LLC AND SHOULD NOT BE USED WITHOUT WRITTEN PERMISSION		CURRENT REV DESC: RELEASED		molex	
▽ = 0	INCH	SCALE	NTS	EC NO: 613704			
▽ = 0	GENERAL TOLERANCES (UNLESS SPECIFIED)		4 PLACES ±		DRWN: VHANDI	2019/03/13	WATERTITE CONNECTOR, L6-15R
▽ = 0	ANGULAR TOL ± 0.5°		3 PLACES ± 0.005		CHK'D: DNGUYEN62	2019/03/18	
▽ = 0	2 PLACES ± 0.01		1 PLACE ± 0.02		APPR: HKNEELAND	2019/03/21	PRODUCT CUSTOMER DRAWING
▽ = 0	DRAFT WHERE APPLICABLE MUST REMAIN WITHIN DIMENSIONS		THIRD ANGLE PROJECTION		DRWN: ABABU01	2018/11/26	DOCUMENT NUMBER
▽ = 0	THIRD ANGLE PROJECTION		DRAWING		APPR: HKNEELAND	2019/03/02	DOC TYPE
C-SIZE		SERIES		MATERIAL NUMBER		CUSTOMER	
130146		130146		SEE TABLE		GENERAL MARKET	
SHEET NUMBER		1 OF 1		DOC PART		REVISION	
A1		A1		A1		A1	