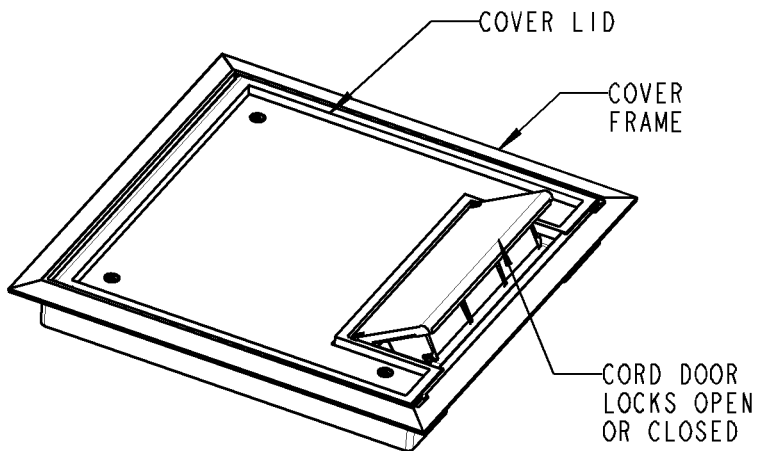



SECTION A-A



- 1) FLOOR BOX COVER DESIGNED FOR USE WITH 667 SERIES CONCEALED SERVICE FLOOR BOXES. MADE FROM HIGH STRENGTH POLYCARBONATE WITH 5/32 STEEL TOP PLATE.
- 2) MOPTIGHT. FACTORY INSTALLED GASKETS. EXCEEDS UL SCRUB-WATER REQUIREMENTS FOR TILE, CARPET AND WOOD FLOORS.
- 3) AVAILABLE IN FOUR COLORS.
 - XXX DENOTES COLOR
 - BLK = BLACK
 - GRY = GRAY
 - BGE = BEIGE
 - BRN = BROWN

| | | | | | |
|---|----------------------------------|---|----------|-------------|--|
| GENERAL NOTES | |  <small>www.tnb.com</small> | | | |
| 1. DIMENSIONS IN PARENTHESES () ARE IN METRIC UNITS. | | | | | |
| REVISIONS | | DESCRIPTION: 667-CST-SW-XXX CONCEALED SERVICE TOP | | | |
| SEE ERN (....) FOR APPROVAL SIGNATURES | ORIGINAL PROJECT NO / (ERN NO) | SHEET NO: | REV. NO: | DRAWING NO: | |
| PROJECT NO: | UD55453 / (2002995) | 1 OF 1 | 0 | WSD-000060 | |