



Shown with optional swivel mounting bracket

► Models P-LS2B and P-LS2C

## Non-Metallic Zone 1 Loudspeakers

Federal Signal's non-metallic loudspeakers, Models P-LS2B and P-LS2C, are designed for use in industrial public address and general alarm applications, where corrosion resistance and ATEX/IEC Certification are required. P-LS2B and P-LS2C loudspeakers are available in an ATEX/IEC Zone 1 explosion-proof version certified IP66 for ingress of dust and combustible gas to either Group IIB or Group IIC.

P-LS2B and P-LS2C loudspeakers, designed to accept an audio input of 100 Vrms, are manufactured from corrosion resistant, anti-static glass-reinforced polyester (GRP). Each speaker is transformer coupled with a maximum power output of 25 watts and is supplied with 10 preset taps (25, 20, 15, 10, 5, 2, 1.5, 1, 0.5 and 0.2 watts) to adjust sound output.

Mounting is provided by a "common template" stainless-steel ratcheted mounting bracket that locks the loudspeaker in position at a specific angle without slipping. Optional swivel mounting bracket contains three slotted mounting holes to further adjust speaker position and adapt to a variety of different surfaces.

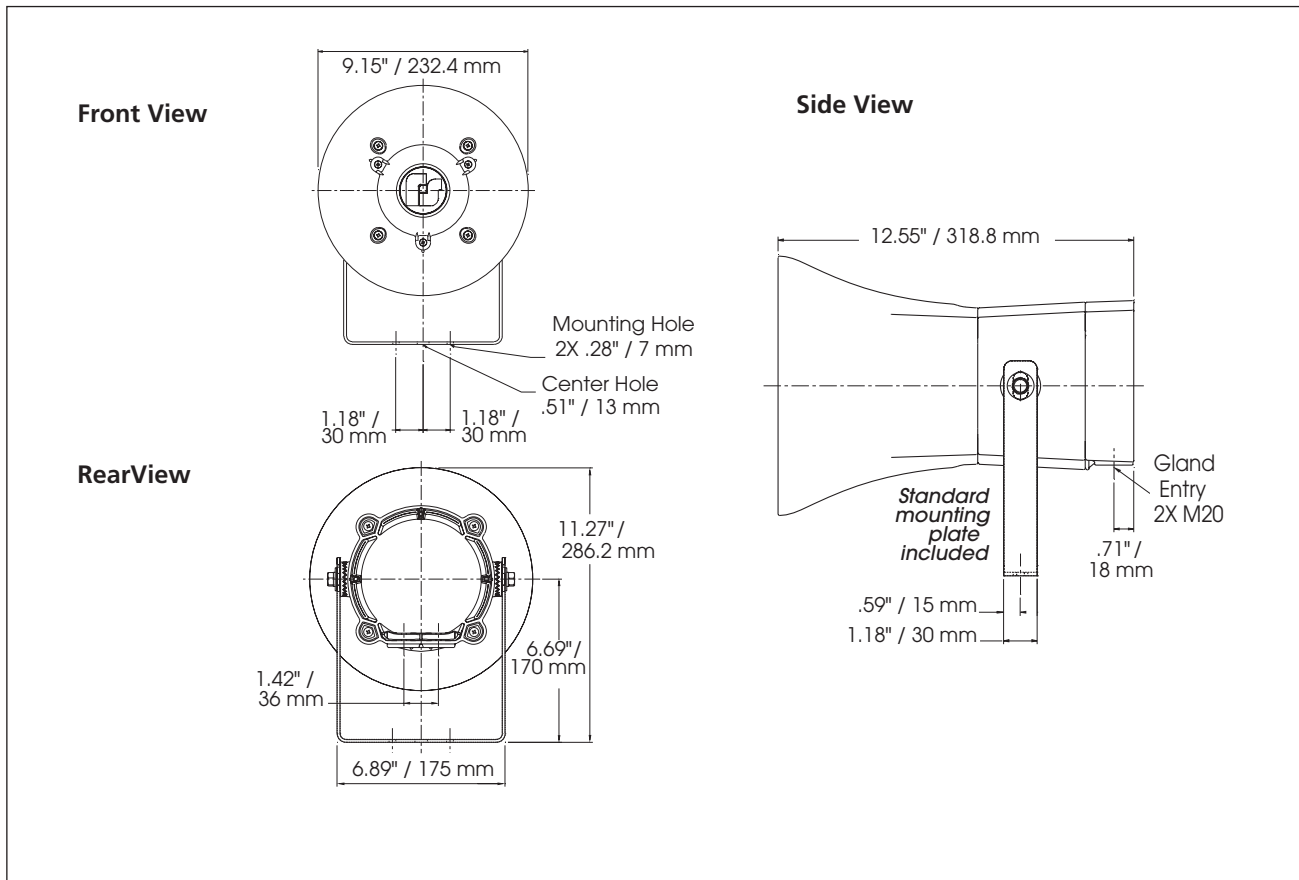
Connection for field wiring is provided by two M20 X 1.5 mm threaded openings in the bottom of the rear cover and terminated via internal terminal blocks. All external hardware is manufactured from stainless steel to resist corrosion and provide serviceability for years to come.

### FEATURES

- Transformer coupled
- 100 Vrms
- 25 watt
- Re-entrant horn design
- Indoor/outdoor use
- U-Mounting bracket included, optional swivel mount bracket available
- IP66 rated
- ATEX and IECEx Certified for Zone 1, Gas Groups IIB and IIC

MODEL	POWER HANDLING	FREQUENCY RESPONSE	POWER TRANSFORMER	TAPS	DECIBELS	
					10'	1M
<b>P-LS2B</b>	25 watt	150Hz - 21kHz	100 Vrms	25, 20, 15, 10, 5, 2, 1.5, 1, 0.5, 0.2	114	124
<b>P-LS2C</b>	25 watt	150Hz - 21kHz	100 Vrms	25, 20, 15, 10, 5, 2, 1.5, 1, 0.5, 0.2	113	123

## Non-Metallic Zone 1 Loudspeakers (P-LS2B and P-LS2C)



### SPECIFICATIONS

Certificate Number:	Baseefa10ATEX0096X	
ATEX	IECEX BAS 10.0052X	
IECEX	CE0539 Ex II 2G	
P-LS2B	Ex d e mb IIB + H2 T5 Gb (-50°C ≤ Ta ≤ +70°C)	
	T6 Gb (-50°C ≤ Ta ≤ +55°C)	
P-LS2C	CE0539 Ex II 2GD	
	Ex d e mb IIC T5 Gb Ex tb IIIC IP66 T100°C Db (-50°C ≤ Ta ≤ +70°C)	
	T6 Gb Ex tb IIIC IP66 T85°C Db (-50°C ≤ Ta ≤ +55°C)	
Gland Entries:	2 X M20 X 1.5 mm	
Cable Terminations:	0.5 – 4 mm <sup>2</sup> (22-12 AWG) Conductors	
Material:	Glass-Reinforced Polyester (GRP)	
Color:	Black	
Audio Input:	100 Vrms	
Max. Audio Output:	(max.) 124 dBa @ 25 watt (1 meter)	
Wide Range Frequency Response:	150Hz – 21kHz	
Shipping Dimensions (P-LS2B and P-LS2C):		
Diameter:	9.15"	232.4 mm
Height:	11.27"	286.2 mm
Length:	12.55"	318.8 mm
Net Weight:	13.0 lbs	5.9 kg
Shipping Weight:	15.3 lbs	6.9 kg

### HOW TO ORDER

#### Specify Model:

**P-LS2B** – Corrosion Resistant Loudspeaker, ATEX Zone 1 Rated Gas Group IIB

**P-LS2C** – Corrosion Resistant Loudspeaker, ATEX Zone 1 Rated Gas Group IIC

### OPTIONAL ACCESSORIES

Description	Part Number
Swivel Mounting Bracket	K8595172A

### REPLACEMENT PARTS

Description	Part Number
Standard Mounting Bracket Kit	K8595171A
Swivel Mounting Bracket Kit	K8595172A
P-LS2 Gasket and Fuse Kit <sup>1</sup>	K859500361A

<sup>1</sup> Includes rear cover gasket kit and fuse module

#B50000772 Rev. AD