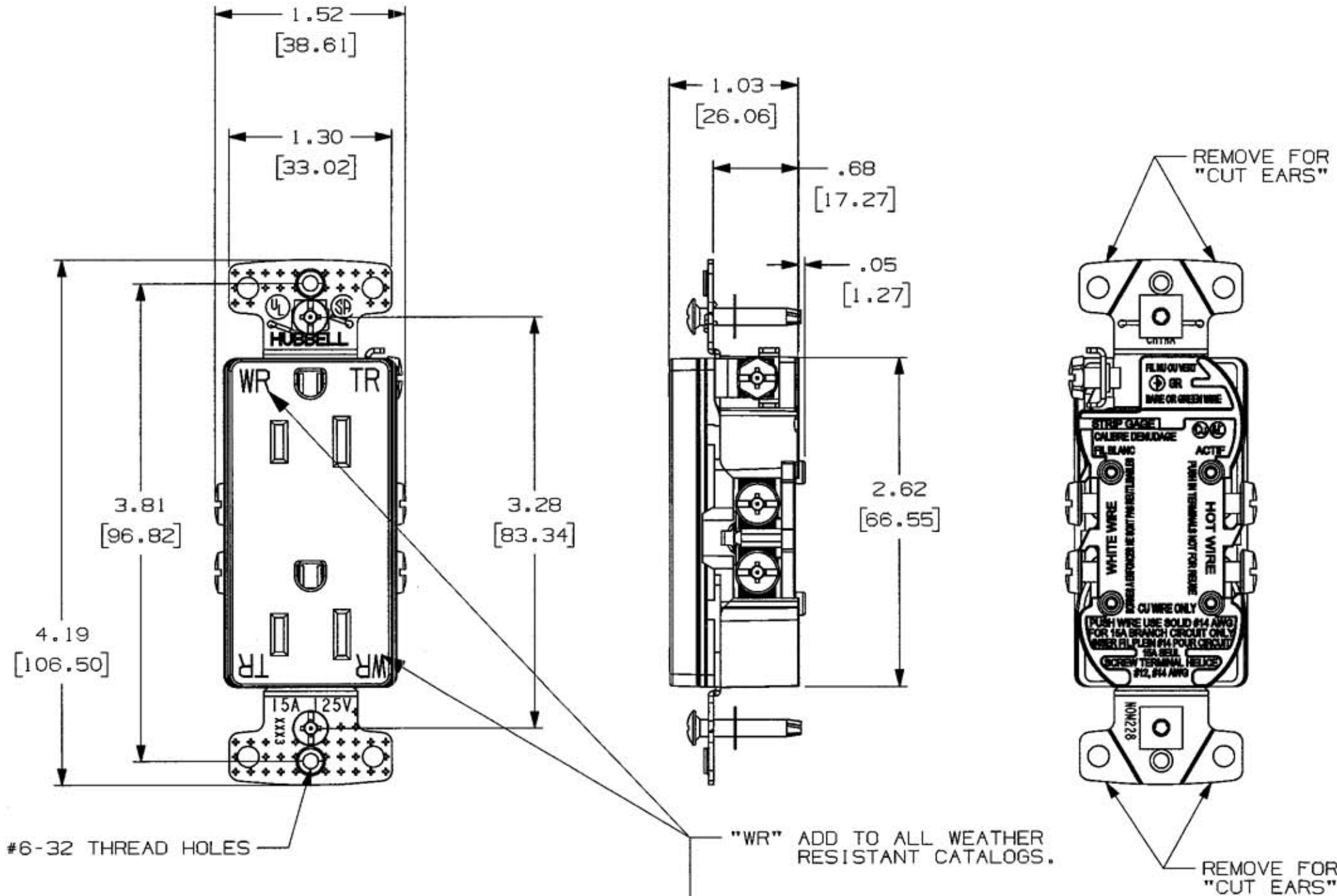


M-10865 2



NOTE:
1. DIMENSIONS ARE IN INCHES AND [MM].

WEATHER RESISTANT CATALOG	CATALOG CUT EARS	CATALOG STANDARD	COLOR COVER	RATING
RRD15SWRTR	RRD15KTR	RRD15STR	BROWN	15A, 125V
RRD15SIWRTR	RRD15KITR	RRD15SITR	IVORY	15A, 125V
RRD15SWWRTR	RRD15KWTR	RRD15SWTR	WHITE	15A, 125V
RRD15SGYWRTR	RRD15KGYTR	RRD15SGYTR	GRAY	15A, 125V
RRD15SBKWRTR	RRD15KBKTR	RRD15SBKTR	BLACK	15A, 125V
RRD15SALWRTR	RRD15KALTR	RRD15SALTR	ALMOND	15A, 125V
RRD15SLAWRTR	RRD15KLATR	RRD15SLATR	LIGHT ALMOND	15A, 125V

LIST OF PARTS

DESCRIPTION	MATERIAL	FINISH
COVER	PVC	
BASE	PVC	
LINE TERMINAL	BRASS	
BINDING SCREW	STEEL	ZN PLATE
BINDING SCREW	STEEL	BRASS PLATE
STRAP	STEEL	
GROUND CONTACT	BRASS	
GROUND SCREW	STEEL	
GROUNDING SPRING	STAINLESS STL.	
MOUNTING SCREW	STEEL	
WASHER	PVC	
SLIDE BLOCK	PLASTIC	
SLIDE BASKET	PLASTIC	
SPRING	STAINLESS STL.	
WR BINDING SCREW	STAINLESS STL.	PASSIVATE
WR BINDING SCREW	STAINLESS STL.	HEAT TINT

REPAIRABLE <input type="checkbox"/>	NON-REPAIRABLE <input checked="" type="checkbox"/>
-------------------------------------	--

2	LIST OF PARTS, ADD 2, WR SCREWS. TABLE ADD 6 WR CATALOGS. ADD WR, IN FRONT VIEW. DCN 14676	RDK GPK	4/7/08
1	RELEASE FOR PRODUCTION GPK DCN 14436	RDK	1/23/08
SYM	REVISIONS	APP	DATE

THE DESIGN AND DIMENSIONS OF THE PRODUCT SHOWN ON THIS DRAWING ARE SUBJECT TO CHANGE WITHOUT NOTICE

TITLE TAMPER & WEATHER RESISTANT DECO DUPLEX RECEPTACLE

TOLERANCES UNLESS OTHERWISE SPECIFIED FRACTIONS ± 1/64 DECIMALS ± .005 ANGLES ± 2°	WIRING DEVICE-KELLEMS HUBBELL INCORPORATED BRIDGEPORT, CT	
	DR. BY GPK	APP. BY RDK
	TR. BY	SCALE 1=1
	CHK'D BY RDK	DATE 1/23/08

DIMENSION SHEET FOR CAT. NO. M-10865
 REPAIRABLE NON-REPAIRABLE
 B
 M-10865
 2